

# WALL MOUNT VENTILATING FAN



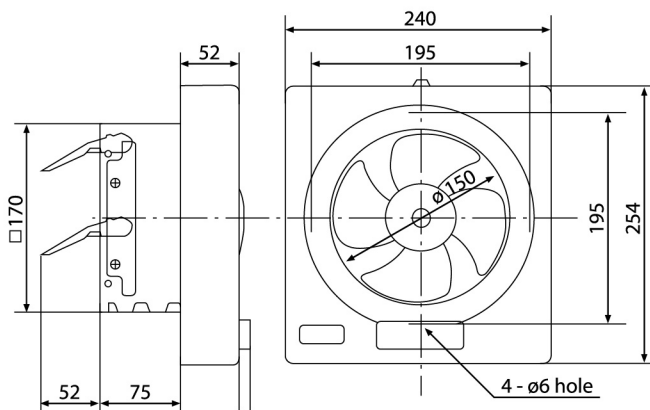
## FV-15AST1

### Automatic Shutter Series

- Condenser motor with thermal cutoff
- Lubricated sintered bush for long life operation
- High performance propeller fan adopted
- Automatic shutter with plastic cushions
- Orifice equipped with oil cup

## Dimension

Unit : mm



## Specification

| Model No. | Voltage |      | Air Volume |       | Consumption | RPM     | Noise   | Weight | Installation Space |
|-----------|---------|------|------------|-------|-------------|---------|---------|--------|--------------------|
|           | [V]     | [Hz] | [m³/h]     | [CFM] | [W]         | [min⁻¹] | [dB(A)] | [kg]   | [mm]               |
| FV-15AST1 | 220     | 50   | 288        | 170   | 15          | 1,480   | 31      | 1.4    | 175 x 175          |
|           |         | 60   | 306        | 180   | 19          | 1,560   | 34      |        |                    |
|           | 230     | 50   | 294        | 173   | 17.3        | 1,512   | 33      |        |                    |
|           | 240     | 50   | 307        | 181   | 19          | 1,560   | 33      |        |                    |

Note : RPM data is for reference only, values may vary subject to different conditions

#### Test Condition

- Air volume, electric characteristic and noise are specified at the static pressure of 0 Pa
- The values of noise level is A weighted average sound pressure level, the mean value are measured by our company, within +3 to -7 dB tolerance
- The values of noise level are measured at 1 m apart from the side of fan body
- The values of air volume are the mid-points of results measured by our company, within ±10% tolerance

# WALL MOUNT VENTILATING FAN



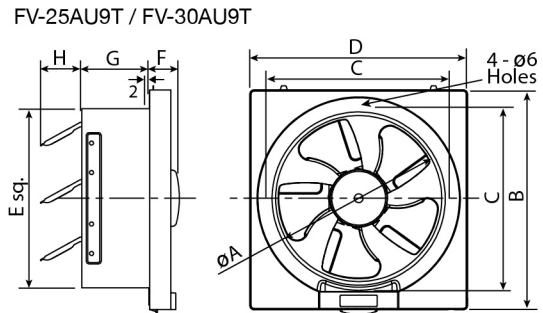
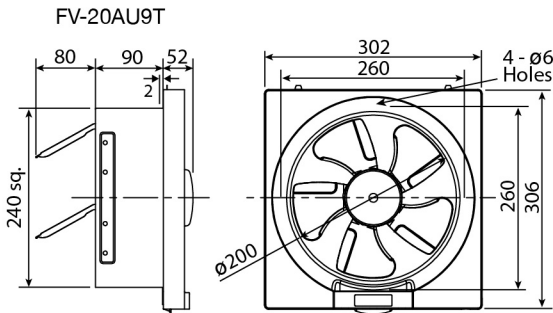
## FV-20AU9T, FV-25AU9T, FV-30AU9T

### Automatic Shutter Series

- HP (Half Pitch) condenser motor with thermal cutoff
- Well lubricated ball bearing for long life operation
- Propeller fan with advanced blade design (except FV-30AU9T)
- Automatic shutter
- Orifice equipped with oil cup

### Dimension

Unit : mm



| Model     | A   | B   | C   | D   | E   | F  | G  | H  |
|-----------|-----|-----|-----|-----|-----|----|----|----|
| FV-25AU9T | 250 | 356 | 310 | 352 | 290 | 38 | 90 | 63 |
| FV-30AU9T | 300 | 406 | 360 | 402 | 340 | 38 | 90 | 78 |

### Specification

| Model No. | Voltage |      | Air Volume |       | Consumption | RPM                  | Noise   | Weight | Installation Space |
|-----------|---------|------|------------|-------|-------------|----------------------|---------|--------|--------------------|
|           | [V]     | [Hz] | [m³/h]     | [CFM] | [W]         | [min <sup>-1</sup> ] | [dB(A)] | [kg]   | [mm]               |
| FV-20AU9T | 220     | 50   | 580        | 341   | 20          | 1,250                | 37.5    | 2.0    | 250 x 250          |
|           |         | 60   | 650        | 383   | 24          | 1,400                | 41.5    |        |                    |
|           | 230     | 50   | 610        | 359   | 21          | 1,270                | 38      |        |                    |
| FV-25AU9T | 220     | 50   | 920        | 541   | 27          | 1,070                | 39      | 2.4    | 300 x 300          |
|           |         | 60   | 940        | 553   | 31          | 1,125                | 39      |        |                    |
|           | 230     | 50   | 940        | 553   | 29          | 1,100                | 42      |        |                    |
| FV-30AU9T | 220     | 50   | 1,200      | 706   | 31          | 1,000                | 39      | 2.7    | 350 x 350          |
|           |         | 60   | 1,140      | 671   | 38          | 1,000                | 38      |        |                    |
|           | 230     | 50   | 1,206      | 710   | 35          | 980                  | 40      |        |                    |
|           | 240     | 50   | 1,250      | 736   | 39          | 1,010                | 42      |        |                    |

Note : RPM data is for reference only, values may vary subject to different conditions

#### Test Condition

- Air volume, electric characteristic and noise are specified at the static pressure of 0 Pa and with duct sleeve
- The values of noise level is A weighted average sound pressure level, the mean value are measured by our company, within +3 to -7 dB tolerance
- The values of noise level are measured at 1 m apart from the side of fan body
- The values of air volume are the mid-points of results measured by our company, within ±10% tolerance