

Apricum® LP



Apricum LP LED Floodlight uses BRIDGELUX / CREE LEDs for outdoor applications. Housing is made of die-casted aluminum with powder coating. Luminaire uses tempered glass with high transparency rate.

Product Features:

- BRIDGELUX / CREE LED
- DuLight or Meanwell LED Driver
- High purity Aluminum reflector
- 180° adjustable steel bracket
- Available in RGB as well
- Working temperature: -40°C to 60°C
- IP rating: IP65
- Life-span: 30,000 - 50,000 hrs

Applications:



Gardens



Sign Boards



Facade Lighting

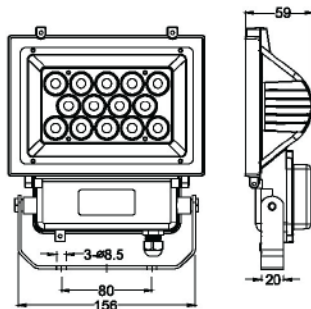


• Color Temperature:

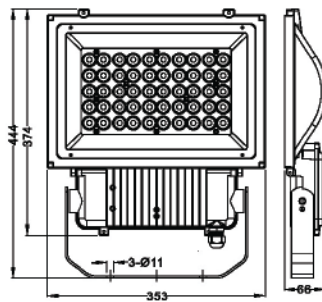


Dimensions

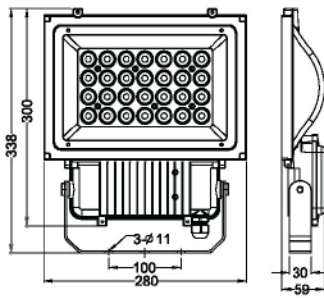
* unit is mm



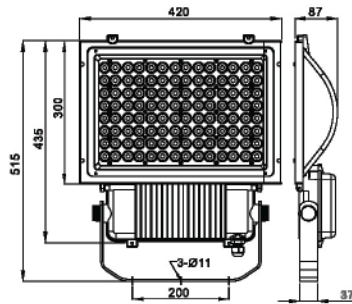
DUAPLP-20 / 30



DUAPLP-80 / 100W

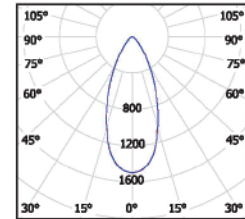


DUAPLP-50

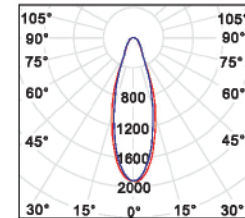


DUAPLP-160 / 180 / 200

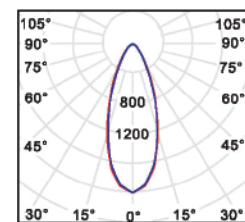
Photometric Diagrams



DUAPLP-50



DUAPLP-80 / 100



DUAPLP-160 / 180 / 200

Technical Specifications

Model	Power [W]	LED type	Luminous flux [lm]	Luminous efficacy [lm/W]	CCT [k]	Beam angle	CRI [Ra]	EAN
DUAPLP-20	20	High Power LEDs	1840	92	3000 4500 6500	60°	> 75	6290112000492
DUAPLP-30	30		2800	93				6290112000508
DUAPLP-50	50		4750	95				6290112000515
DUAPLP-80	80		7745	96				6290112000522
DUAPLP-100	100		9700	97				6290112000539
DUAPLP-160	160		16320	102				6290112000546
DUAPLP-180	180		18715	104				6290112000553
DUAPLP-200	200		20685	104				6290112000560

Electrical Specifications

Rated supply voltage	220-240V
Input voltage	100-240V _{AC}
Frequency	50/60 Hz