

Bello P



Bello P LED downlight uses COB/SMD LEDs for indoor applications. Housing is made of high pressure die-casted aluminum with epoxy powder coating. Luminaire uses anti-glare reflector and glass/opal diffuser.

Product Features:

- CREE COB LED, SHARP COB, SAMSUNG SMDs and BRIDGELUX high power LEDs.
- DuLight or TRIDONIC LED Driver.
- The driver is separated from the main body for recessed versions and integrated for the surface mounted versions.
- Advance Heat Dissipation by specially designed Heat Sinks.
- Transparent/Opal Glass Diffusers.
- Installation: Recessed Mounted/Surface Mounted.
- IP rating: IP20 / IP40 / IP44
- Life Span: 30,000 - 50,000 hours

Applications:



Offices and Restaurants



Shopping Malls



Showrooms

Bello P_c



TRIDONIC

SHARP

CREE

BRIDGELUX
The Magic of Light™

Technical Specifications

Model	Power [W]	LED type	Luminous flux [lm]	Luminous efficacy [lm/W]	CCT [k]	Beam angle	Dimensions [mm]		Cut-out [mm]	Tilt Rotation	EAN	
							Diameter	Height				
DUBPR011-03	3	COB	230	77	3000	16°	54	42	44	30°	6290412001021	
DUBPQ012-03	3		230	77		16°	60x60	42	44x44	30°	6290412001038	
DUBP101-04	4		310	78		25° / 30°	68	30	60	30°	6290411000162	
DUBP102-05	5		400	80		30°	85	39	75	30°	6290411000179	
DUBP103-05	5		400	80		30°	100	44	85	30°	6290411000186	
DUBP201-15	15		1275	85		45°	149	120	135	60°	6290411000193	
DUBP202-30	30		2550	85		45°	149	120	135	60°	6290411000209	
DUBP401-12	12		1055	90		16° / 28° / 36°	85	65	75	30°	6290411000247	
DUBP600-09	9		810	90		38°	114	65	100	Fixed	6290412001489	
DUBP601-15	15		1350	90		4000	38°	136	75	120	Fixed	6290411000254
DUBP602-22	22		1980	90		6500	38°	175	95	155	Fixed	6290411000261
DUBP603-30	30		2700	90		38°	196	100	172	Fixed	6290411000278	
DUBP604-45	45		4050	90		38°	220	120	210	Fixed	6290411000285	
DUBP501-07	7		High power LED	525		75	30°	100	28	85	30°	6290411000742
DUBP502-18	18			1385		77	30°	165	35	150	30°	6290411000759
DUBPR701-12	12		COB	935		78	24°	84	62	75	60°	6290411000940
DUBPQ704-12	12	935		78	24°	84x84	62	75x75	60°	6290412000957		
DUBPR705-25	25	1950		78	24°	131	105	120	60°	6290412000964		
DUBEP801-15	15	1350		90	15° / 24° / 36°	95	80	78	Fixed	6290411001855		
DUBEP802-20	20	1800		90		125	102	106	Fixed	6290411001862		

* CRI for all model is > 80

Product photos



DUBPR011



DUBPQ012



DUBP101



DUBP201



DUBP401



DUBP601



DUBP502



DUBPR701



DUBPQ704



DUBPR705



DUBEP801-15

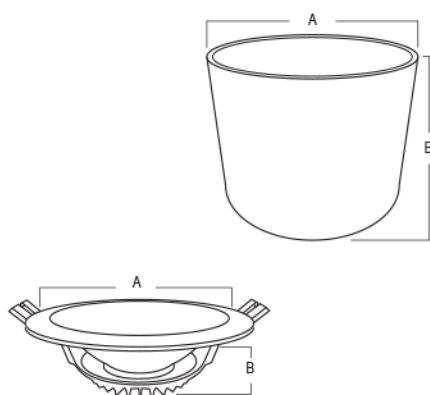


DUBEP802-20

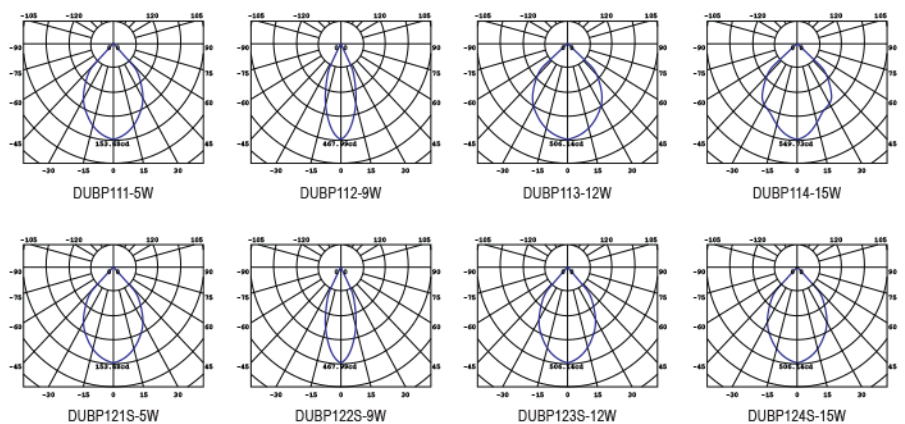
Bello P_s



Dimensions



Photometric Diagrams



Technical Specifications

Model	Power [W]	LED type	Luminous flux [lm]	Luminous efficacy [lm/W]	CCT [k]	Beam angle	CRI [Ra]	Cut-out size [mm]	Installation	Size(mm)		EAN
										Diameter(A)	Height(B)	
DUBP111-05	5	SMD	375	75	3000	85°	>80	100	Recessed	110	49.5	6290412000086
	5		390	78	6000	85°		100		110	49.5	6290416000082
DUBP112-09	9		690	77	3000	42°		120		135	53.5	6290412000093
	9		720	80	6000	42°		120		135	53.5	6290416000099
DUBP113-12	12		925	77	3000	55°		150		174.4	59.5	6290412000109
	12		985	82	6000	55°		150		174.4	59.5	6290416000105
DUBP114-15	15		1155	77	3000	80°		170		194.4	63.5	6290412000116
	15		1230	82	6000	80°		170		194.4	63.5	6290416000112
DUBP121S-05	5		375	75	3000	85°		--		95	95	6290412000123
	5		390	78	6000	85°		--		95	95	6290416000129
DUBP122S-09	9	690	77	3000	42°	--	120	100	6290412000130			
	9	720	82	6000	42°	--	120	100	6290416000136			
DUBP123S-12	12	925	77	3000	55°	--	155	115	6290412000147			
	12	985	82	6000	55°	--	155	115	6290416000143			
DUBP124S-15	15	1155	77	3000	80°	--	157	117	6290412000154			
	15	1230	82	6000	80°	--	157	117	6290416000150			

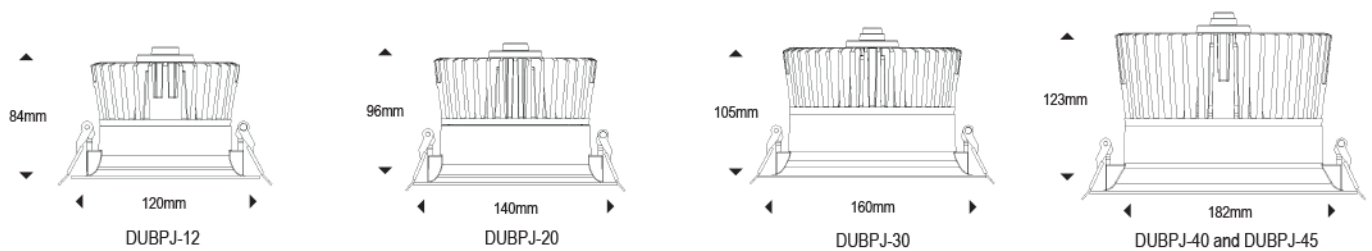
Bello P_{TAJ}



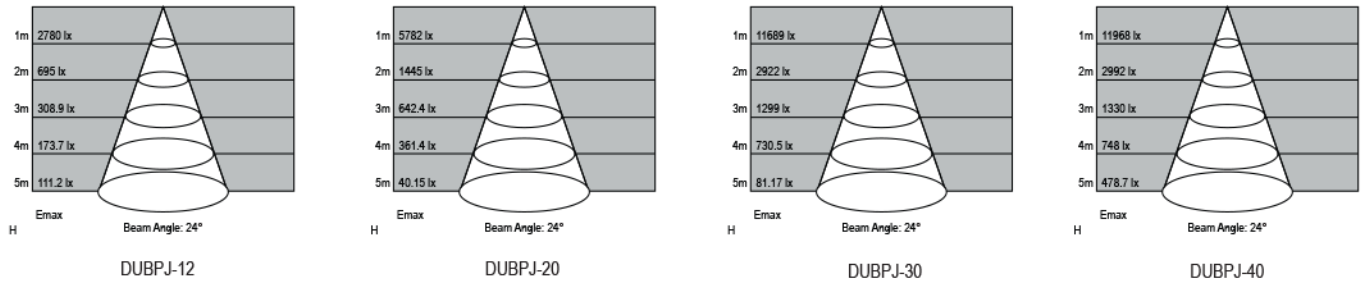
TRIDONIC

CREE

Dimensions



Light Distribution Curves



Technical Specifications

Model	Power [W]	LED type	Luminous Flux [lm]	Luminous efficacy [lm/W]	CCT [k]	Beam angle	CRI [Ra]	Cut-out [mm]	EAN
DUBPJ-12	12	COB	960	80	3000	24°	> 80	105	6290411000476
DUBPJ-20	20		1600	80				125	6290411000483
DUBPJ-30	30		2460	82				4000	145
DUBPJ-40	40		3360	84	6500			165	6290411000506
DUBPJ-45	45		3780	84	165			6290411000513	