

DOWNLIGHTS

OUR CHAMPIONS FOR HOMOGENEOUS GENERAL LIGHTING

DOWNLIGHT COMFORT

Page 12

PERFORMANCE CLASS



3-IN-1 CCT, LOW UGR VALUE

- Three light colors in one luminaire: warm white 3,000 K, neutral white 4,000 K and cold white 5,700 K
- Good glare reduction ($UGR \leq 22$)
- Simple connection thanks to plug-in terminal

DOWNLIGHT ALU

Page 14

VALUE CLASS

- DOWNLIGHT ALU
- DOWNLIGHT ALU DALI
- DOWNLIGHT ALU EMERGENCY



NEW GENERATION, NOW IP44

- Suitable for use in dusty and humid environments thanks to higher IP rating
- Wide range of applications thanks to a large variety of versions
- Up to 60 % energy savings compared with luminaires that use compact fluorescent lamps



3000K
4000K
5700K

ONE LUMINAIRE, THREE OPTIONS

On the **Downlight Comfort** you can switch between three light colors (3,000/4,000/ 5,700 K)

An additional advantage ...
... is that wholesalers and installers can minimize their stock risks because they always have a luminaire with the right light color in stock.

DOWNLIGHT SLIM ALU

Page 18

VALUE CLASS



LOW IN HEIGHT AND PRICE

- Extremely small mounting depth due to very low-profile housing
- Up to 60 % energy savings compared with luminaires that use compact fluorescent lamps
- External driver for easy replacement (included)

DOWNLIGHT SLIM SQUARE AND ROUND

Page 20

ECO CLASS

- DOWNLIGHT SLIM SQUARE
- DOWNLIGHT SLIM ROUND
- DOWNLIGHT SLIM SQUARE FRAME
- DOWNLIGHT SLIM ROUND FRAME



PC DOWNLIGHT FOR TIGHT SPACES

- Up to 60 % energy savings compared with luminaires that use compact fluorescent lamps
- Simple installation thanks to integrated driver
- High luminous efficacy



DOWNLIGHT COMFORT

Downlights with adjustable white light colors



PRODUCT FEATURES

- Material: Aluminium (Housing), Polycarbonate (Diffusor)
- Three light colors selectable via slide switch
- Type of protection: IP54 (room side)
- Through wiring possible

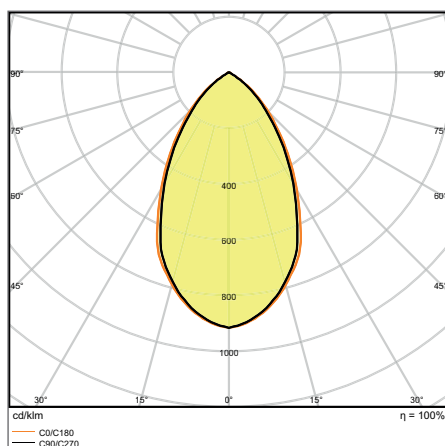
PRODUCT BENEFITS

- Three light colors in one luminaire: warm white 3000 K, daylight white 4000 K, cold white 5700 K
- Good glare reduction (UGR ≤ 22)
- Easy connection thanks to push terminal
- Suitable for use in dusty and humid environments thanks to high IP rating
- 5 years guarantee

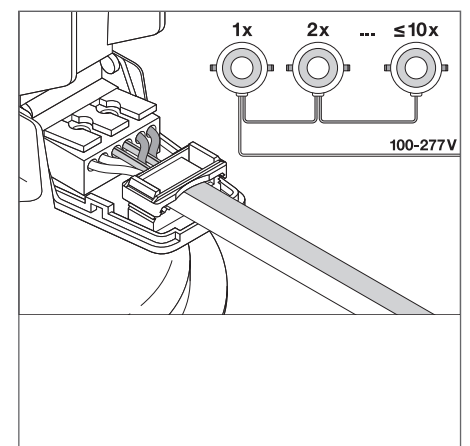
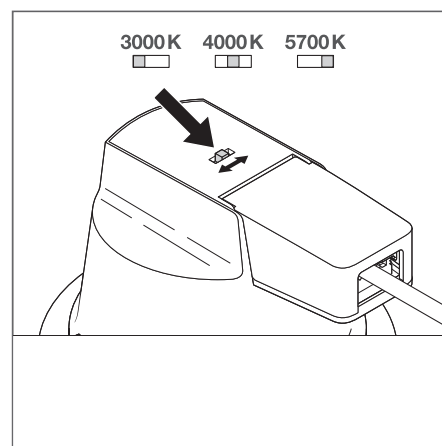
AREAS OF APPLICATION

- Direct replacement for luminaires with compact fluorescent lamps
- General illumination
- Bathrooms, kitchens and sheltered outdoor areas
- Offices
- Corridors

FURTHER PRODUCT DETAILS



DL COMFORT DN 205 20 W 3CCT IP54 WT



¹ Refer to www.ledvance.com/guarantee for precise conditions

The pictures shown in the catalog are for illustration purposes only. For information on size and color, please refer to the product table.

Product name	Segmentation	GTIN (EAN)	RE- PLACE- MENT FOR	W	lm	lm/W	K	L70 ¹	L80 ¹	△
DL COMFORT DN 130 13 W 3CCT IP54 WT	■	4058075104068	1x18W CFLi	13	1030...1210	85	3000...5700	50000	43000	60
DL COMFORT DN 155 18 W 3CCT IP54 WT	■	4058075104082	2x18W CFLi	18	1040...1620	85	3000...5700	50000	43000	60
DL COMFORT DN 205 20 W 3CCT IP54 WT	■	4058075104105	2x26W CFLi	20	1720...1930	90	3000...5700	50000	43000	60



Product name	CRI	△	L x W x H [mm] ∅ x H [mm]
DL COMFORT DN 130 13 W 3CCT IP54 WT	>80	130	145 x 82
DL COMFORT DN 155 18 W 3CCT IP54 WT	>80	155	172 x 95
DL COMFORT DN 205 20 W 3CCT IP54 WT	>80	205	228 x 98

¹ t [h]: L70/B50 @ 25 °C (Ta) / t [h]: L80/B10 @ 25 °C (Ta)

DOWNLIGHT ALU

Downlight luminaires with aluminum housing



PRODUCT FEATURES

- Housing material: aluminum
- Diffusor made of opal polycarbonate
- Type of protection, front side: IP44
- Luminaire available as switchable, DALI and emergency versions

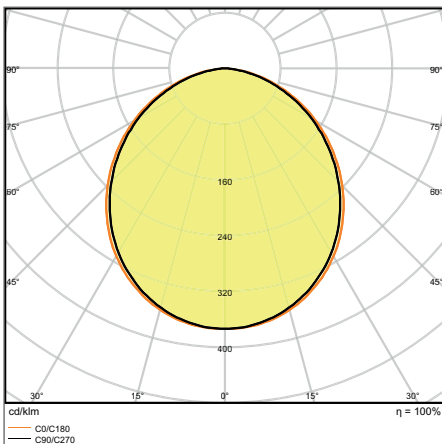
PRODUCT BENEFITS

- Suitable for use in dusty and humid environments thanks to high IP rating
- Wide range of applications thanks to a large variety of versions
- Energy savings of up to 60 % compared to luminaires that use CFL
- Up to 5 years guarantee

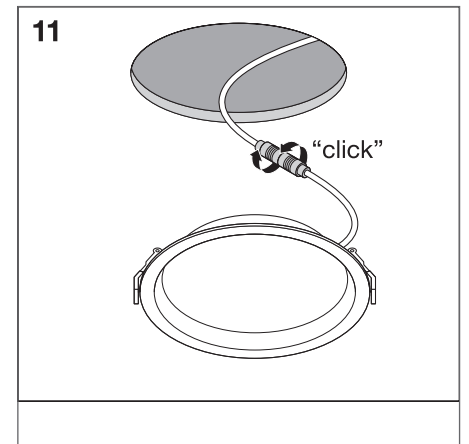
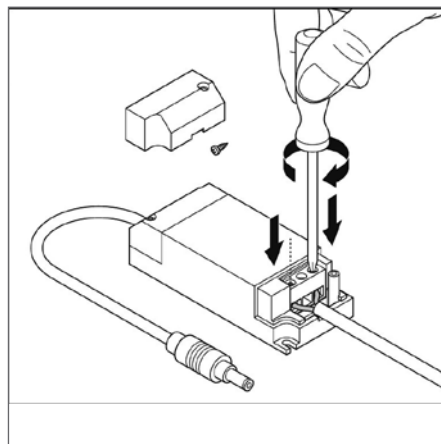
AREAS OF APPLICATION

- Direct replacement for luminaires with compact fluorescent lamps
- General illumination
- Public areas
- Stairways
- Corridors

FURTHER PRODUCT DETAILS



DL ALU DALI DN 200 35 W 6500 K
 IP44/IP20 WT



¹ The ENEC and TÜV certifications apply exclusively to the switchable versions of the luminaire family, DALI versions and versions for emergency lighting are excepted. |

² A 5-year guarantee applies to standard and DALI types; a 3-year guarantee for emergency versions.

The pictures shown in the catalog are for illustration purposes only. For information on size and color, please refer to the product table.

DOWNLIGHT ALU

Downlight luminaires with aluminum housing

Product name	Segmentation	GTIN (EAN)	RE-PLACE-MENT FOR	W	lm	lm/W	K	L70	L80		
DL ALU DN 150 14 W 3000 K IP44/IP20 WT	■	4058075091436	1x26W CFLi	14	1190	85	3000	50000	45000	100	-
DL ALU DN 150 14 W 4000 K IP44/IP20 WT	■	4058075091450	1x26W CFLi	14	1260	90	4000	50000	45000	100	-
DL ALU DN 150 14 W 6500 K IP44/IP20 WT	■	4058075091474	1x26W CFLi	14	1330	95	6500	50000	45000	100	-
DL ALU DN 200 25 W 3000 K IP44/IP20 WT	■	4058075091498	2x26W CFLi	25	2250	90	3000	50000	45000	100	-
DL ALU DN 200 25 W 4000 K IP44/IP20 WT	■	4058075091511	2x26W CFLi	25	2370	95	4000	50000	45000	100	-
DL ALU DN 200 25 W 6500 K IP44/IP20 WT	■	4058075091535	2x26W CFLi	25	2370	95	6500	50000	45000	100	-
DL ALU DN 200 35 W 3000 K IP44/IP20 WT	■	4058075091559	2x42W CFLi	35	2975	85	3000	50000	45000	100	-
DL ALU DN 200 35 W 4000 K IP44/IP20 WT	■	4058075091573	2x42W CFLi	35	3150	90	4000	50000	45000	100	-
DL ALU DN 200 35 W 6500 K IP44/IP20 WT	■	4058075091597	2x42W CFLi	35	3150	90	6500	50000	45000	100	-
DL ALU DALI DN 150 14 W 3000 K IP44/IP20 WT	■	4058075202610	1x26W CFLi	14	1190	85	3000	50000	45000	100	DALI
DL ALU DALI DN 150 14 W 4000 K IP44/IP20 WT	■	4058075202634	1x26W CFLi	14	1260	90	4000	50000	45000	100	DALI
DL ALU DALI DN 150 14 W 6500 K IP44/IP20 WT	■	4058075202658	1x26W CFLi	14	1330	95	6500	50000	45000	100	DALI
DL ALU DALI DN 200 25 W 3000 K IP44/IP20 WT	■	4058075091610	2x26W CFLi	25	2250	90	3000	50000	45000	100	DALI
DL ALU DALI DN 200 25 W 4000 K IP44/IP20 WT	■	4058075091634	2x26W CFLi	25	2370	95	4000	50000	45000	100	DALI
DL ALU DALI DN 200 25 W 6500 K IP44/IP20 WT	■	4058075091658	2x26W CFLi	25	2370	95	6500	50000	45000	100	DALI
DL ALU DALI DN 200 35 W 3000 K IP44/IP20 WT	■	4058075091672	2x42W CFLi	35	2975	85	3000	50000	45000	100	DALI
DL ALU DALI DN 200 35 W 4000 K IP44/IP20 WT	■	4058075091696	2x42W CFLi	35	3150	90	4000	50000	45000	100	DALI
DL ALU DALI DN 200 35 W 6500 K IP44/IP20 WT	■	4058075091719	2x42W CFLi	35	3150	90	6500	50000	45000	100	DALI



Product name	CRI		L x W x H [mm] Ø x H [mm]
DL ALU DN 150 14 W 3000 K IP44/IP20 WT	>80	150	160 x 52
DL ALU DN 150 14 W 4000 K IP44/IP20 WT	>80	150	160 x 52
DL ALU DN 150 14 W 6500 K IP44/IP20 WT	>80	150	160 x 52
DL ALU DN 200 25 W 3000 K IP44/IP20 WT	>80	200	215 x 61
DL ALU DN 200 25 W 4000 K IP44/IP20 WT	>80	200	215 x 61
DL ALU DN 200 25 W 6500 K IP44/IP20 WT	>80	200	215 x 61
DL ALU DN 200 35 W 3000 K IP44/IP20 WT	>80	200	215 x 61
DL ALU DN 200 35 W 4000 K IP44/IP20 WT	>80	200	215 x 61
DL ALU DN 200 35 W 6500 K IP44/IP20 WT	>80	200	215 x 61
DL ALU DALI DN 150 14 W 3000 K IP44/IP20 WT	>80	150	160 x 52
DL ALU DALI DN 150 14 W 4000 K IP44/IP20 WT	>80	150	160 x 52
DL ALU DALI DN 150 14 W 6500 K IP44/IP20 WT	>80	150	160 x 52
DL ALU DALI DN 200 25 W 3000 K IP44/IP20 WT	>80	200	215 x 61
DL ALU DALI DN 200 25 W 4000 K IP44/IP20 WT	>80	200	215 x 61
DL ALU DALI DN 200 25 W 6500 K IP44/IP20 WT	>80	200	215 x 61
DL ALU DALI DN 200 35 W 3000 K IP44/IP20 WT	>80	200	215 x 61
DL ALU DALI DN 200 35 W 4000 K IP44/IP20 WT	>80	200	215 x 61
DL ALU DALI DN 200 35 W 6500 K IP44/IP20 WT	>80	200	215 x 61

¹ t [h]: L70/B50 @ 25 °C (Ta) / t [h]: L80/B10 @ 25 °C (Ta)

DOWNLIGHT ALU EMERGENCY

Downlight luminaires with aluminum housing and integrated emergency lighting function

Product name	Segmentation	GTIN (EAN)	RE-PLACEMENT FOR	W	lm	lm/W	K	L70 ¹	L80 ¹	⚡
DL ALU EM DN150 14 W 3000 K AT 3H WT	■	4058075204201	1x26W CFLi	14	1190	85	3000	50000	45000	100
DL ALU EM DN150 14 W 4000 K AT 3H WT	■	4058075204225	1x26W CFLi	14	1260	90	4000	50000	45000	100
DL ALU EM DN150 14 W 6500 K AT 3H WT	■	4058075204249	1x26W CFLi	14	1330	95	6500	50000	45000	100
DL ALU EM DN200 25 W 3000 K AT 3H WT	■	4058075204263	2x26W CFLi	25	2250	90	3000	50000	45000	100
DL ALU EM DN200 25 W 4000 K AT 3H WT	■	4058075204287	2x26W CFLi	25	2370	95	4000	50000	45000	100
DL ALU EM DN200 25 W 6500 K AT 3H WT	■	4058075204300	2x26W CFLi	25	2370	95	6500	50000	45000	100
DL ALU EM DN200 35 W 3000 K AT 3H WT	■	4058075204324	2x42W CFLi	35	2975	85	3000	50000	45000	100
DL ALU EM DN200 35 W 4000 K AT 3H WT	■	4058075204348	2x42W CFLi	35	3150	90	4000	50000	45000	100
DL ALU EM DN200 35 W 6500 K AT 3H WT	■	4058075204362	2x42W CFLi	35	3150	90	6500	50000	45000	100



Product name	CRI	⚡	L x W x H [mm] Ø x H [mm]
DL ALU EM DN150 14 W 3000 K AT 3H WT	>80	150	160 x 52
DL ALU EM DN150 14 W 4000 K AT 3H WT	>80	150	160 x 52
DL ALU EM DN150 14 W 6500 K AT 3H WT	>80	150	160 x 52
DL ALU EM DN200 25 W 3000 K AT 3H WT	>80	200	215 x 61
DL ALU EM DN200 25 W 4000 K AT 3H WT	>80	200	215 x 61
DL ALU EM DN200 25 W 6500 K AT 3H WT	>80	200	215 x 61
DL ALU EM DN200 35 W 3000 K AT 3H WT	>80	200	215 x 61
DL ALU EM DN200 35 W 4000 K AT 3H WT	>80	200	215 x 61
DL ALU EM DN200 35 W 6500 K AT 3H WT	>80	200	215 x 61

EMERGENCY LIGHTING PROPERTIES

Product name	Battery life in emergency operation mode	Type of emergency operation test	Type of emergency light operation	Luminous flux in emergency operation mode	Type of Battery
DL ALU EM DN150 14 W 3000 K AT 3H WT	3 h	Automatic	Maintained/Non-maintained	400 lm	LiFePO4
DL ALU EM DN150 14 W 4000 K AT 3H WT	3 h	Automatic	Maintained/Non-maintained	400 lm	LiFePO4
DL ALU EM DN150 14 W 6500 K AT 3H WT	3 h	Automatic	Maintained/Non-maintained	400 lm	LiFePO4
DL ALU EM DN200 25 W 3000 K AT 3H WT	3 h	Automatic	Maintained/Non-maintained	400 lm	LiFePO4
DL ALU EM DN200 25 W 4000 K AT 3H WT	3 h	Automatic	Maintained/Non-maintained	400 lm	LiFePO4
DL ALU EM DN200 25 W 6500 K AT 3H WT	3 h	Automatic	Maintained/Non-maintained	400 lm	LiFePO4
DL ALU EM DN200 35 W 3000 K AT 3H WT	3 h	Automatic	Maintained/Non-maintained	400 lm	LiFePO4
DL ALU EM DN200 35 W 4000 K AT 3H WT	3 h	Automatic	Maintained/Non-maintained	400 lm	LiFePO4
DL ALU EM DN200 35 W 6500 K AT 3H WT	3 h	Automatic	Maintained/Non-maintained	400 lm	LiFePO4

¹ t [h]: L70/B50 @ 25 °C (Ta) / t [h]: L80/B10 @ 25 °C (Ta)



DOWNLIGHT SLIM ALU

Flat downlights with external driver and aluminum housing



PRODUCT FEATURES

- Solid aluminum housing in white
- Diffusor made of opal PMMA
- Small visible bezel

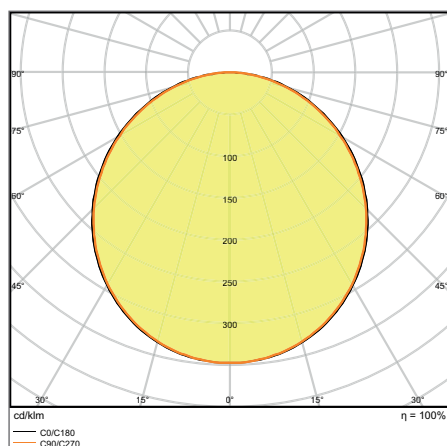
PRODUCT BENEFITS

- Extremely small mounting depth due to very low-profile housing
- Energy savings of up to 60 % compared to luminaires that use CFL
- External driver for easy replacement
- 5 years guarantee

AREAS OF APPLICATION

- Direct replacement for luminaires with compact fluorescent lamps
- General illumination
- Public areas
- Stairways
- Corridors

FURTHER PRODUCT DETAILS



DL SLIM ALU DN 205 22 W 4000 K WT

¹ Refer to www.ledvance.com/guarantee for precise conditions

The pictures shown in the catalog are for illustration purposes only. For information on size and color, please refer to the product table.

Product name	Segmentation	GTIN (EAN)	RE-PLACE-MENT FOR	W	lm	lm/W	K	L70 ¹	L80 ¹	
DL SLIM ALU DN 180 17 W 3000 K WT	■	4058075063921	1x26W CFLi	17	1350	80	3000	50000	30000	120
DL SLIM ALU DN 180 17 W 4000 K WT	■	4058075063945	1x26W CFLi	17	1400	80	4000	50000	30000	120
DL SLIM ALU DN 205 22 W 3000 K WT	■	4058075064003	2x18W CFLi	22	1850	85	3000	50000	30000	120
DL SLIM ALU DN 205 22 W 4000 K WT	■	4058075064027	2x18W CFLi	22	1920	90	4000	50000	30000	120



Product name	CRI		L x W x H [mm] Ø x H [mm]
DL SLIM ALU DN 180 17 W 3000 K WT	>80	180	192 x 23
DL SLIM ALU DN 180 17 W 4000 K WT	>80	180	192 x 23
DL SLIM ALU DN 205 22 W 3000 K WT	>80	205	225 x 23
DL SLIM ALU DN 205 22 W 4000 K WT	>80	205	225 x 23

¹ t [h]: L70/B50 @ 25 °C (Ta) / t [h]: L80/B10 @ 25 °C (Ta)

DOWNLIGHT SLIM SQUARE AND ROUND

Flat downlights, square and round



PRODUCT FEATURES

- Small visible bezel
- Connector box with push wire terminal for tool-free connection
- Light guide made of non-yellowing PMMA for long lifetime
- Robust polycarbonate casing

PRODUCT BENEFITS

- Energy savings of up to 60 % compared to luminaires that use CFL
- Simple installation thanks to integrated driver
- High luminous efficacy
- Low installation depth
- Surface mounting possible thanks to robust mounting frame (accessory)

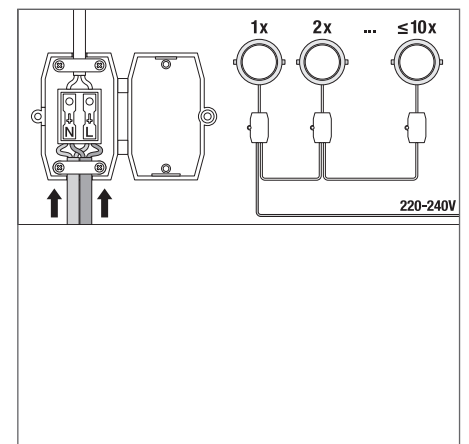
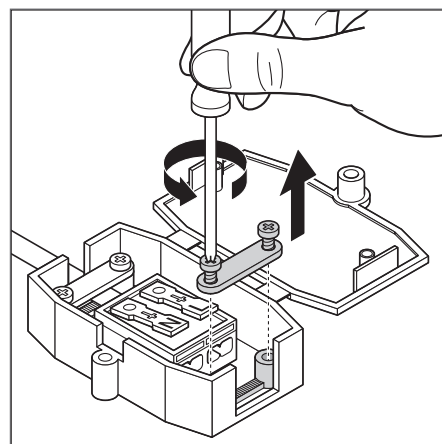
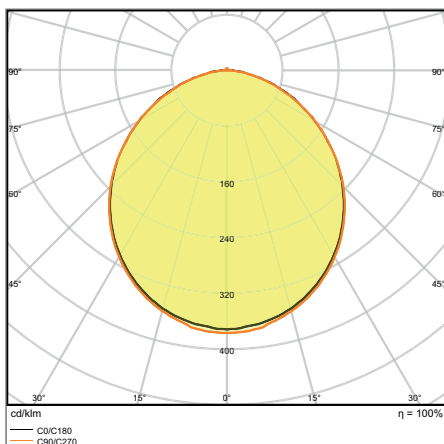
AREAS OF APPLICATION

- Direct replacement for luminaires with compact fluorescent lamps
- General illumination
- Public areas
- Stairways
- Corridors

EQUIPMENT / ACCESSORIES

- Surface mounting frames available* as accessories

FURTHER PRODUCT DETAILS



DL SLIM DN 210 18 W 6500 K WT

* Please note: available = available as an optional accessory.
 † Refer to www.ledvance.com/guarantee for precise conditions

The pictures shown in the catalog are for illustration purposes only. For information on size and color, please refer to the product table.

Product name	Segmentation	GTIN (EAN)	REPLACE-MENT FOR	W	lm	lm/W	K	L70 ¹	L80 ¹	°
DL SLIM SQ 105 6 W 3000 K WT	■	4058075079212	1x10W CFLi	6	420	70	3000	30000	20000	120
DL SLIM SQ 105 6 W 4000 K WT	■	4058075079236	1x10W CFLi	6	430	70	4000	30000	20000	120
DL SLIM SQ 105 6 W 6500 K WT	■	4058075079250	1x10W CFLi	6	430	70	6500	30000	20000	120
DL SLIM SQ 155 12 W 3000 K WT	■	4058075079274	1x26W CFLi	12	1020	85	3000	30000	20000	120
DL SLIM SQ 155 12 W 4000 K WT	■	4058075079298	1x26W CFLi	12	1020	85	4000	30000	20000	120
DL SLIM SQ 155 12 W 6500 K WT	■	4058075079311	1x26W CFLi	12	1020	85	6500	30000	20000	120
DL SLIM SQ 210 18 W 3000 K WT	■	4058075079335	2x18W CFLi	18	1530	85	3000	30000	20000	120
DL SLIM SQ 210 18 W 4000 K WT	■	4058075079359	2x18W CFLi	18	1530	85	4000	30000	20000	120
DL SLIM SQ 210 18 W 6500 K WT	■	4058075079373	2x18W CFLi	18	1530	85	6500	30000	20000	120
DL SLIM DN 105 6 W 3000 K WT	■	4058075078970	1x10W CFLi	6	420	70	3000	30000	20000	120
DL SLIM DN 105 6 W 4000 K WT	■	4058075078994	1x10W CFLi	6	430	70	4000	30000	20000	120
DL SLIM DN 105 6 W 6500 K WT	■	4058075079014	1x10W CFLi	6	430	70	6500	30000	20000	120
DL SLIM DN 155 12 W 3000 K WT	■	4058075079038	1x26W CFLi	12	1020	85	3000	30000	20000	120
DL SLIM DN 155 12 W 4000 K WT	■	4058075079052	1x26W CFLi	12	1020	85	4000	30000	20000	120
DL SLIM DN 155 12 W 6500 K WT	■	4058075079076	1x26W CFLi	12	1020	85	6500	30000	20000	120
DL SLIM DN 210 18 W 3000 K WT	■	4058075079090	2x18W CFLi	18	1530	85	3000	30000	20000	120
DL SLIM DN 210 18 W 4000 K WT	■	4058075079113	2x18W CFLi	18	1530	85	4000	30000	20000	120
DL SLIM DN 210 18 W 6500 K WT	■	4058075079137	2x18W CFLi	18	1530	85	6500	30000	20000	120



Product name	CRI	⌀	L x W x H [mm] Ø x H [mm]	Light No.
DL SLIM SQ 105 6 W 3000 K WT	>80	105x105	118x118x30	1
DL SLIM SQ 105 6 W 4000 K WT	>80	105x105	118x118x30	1
DL SLIM SQ 105 6 W 6500 K WT	>80	105x105	118x118x30	1
DL SLIM SQ 155 12 W 3000 K WT	>80	155x155	169x169x30	1
DL SLIM SQ 155 12 W 4000 K WT	>80	155x155	169x169x30	1
DL SLIM SQ 155 12 W 6500 K WT	>80	155x155	169x169x30	1
DL SLIM SQ 210 18 W 3000 K WT	>80	210x210	225x225x30	1
DL SLIM SQ 210 18 W 4000 K WT	>80	210x210	225x225x30	1
DL SLIM SQ 210 18 W 6500 K WT	>80	210x210	225x225x30	1
DL SLIM DN 105 6 W 3000 K WT	>80	105	118x30	3
DL SLIM DN 105 6 W 4000 K WT	>80	105	118x30	3
DL SLIM DN 105 6 W 6500 K WT	>80	105	118x30	3
DL SLIM DN 155 12 W 3000 K WT	>80	155	169x30	3
DL SLIM DN 155 12 W 4000 K WT	>80	155	169x30	3
DL SLIM DN 155 12 W 6500 K WT	>80	155	169x30	3
DL SLIM DN 210 18 W 3000 K WT	>80	210	225x30	3
DL SLIM DN 210 18 W 4000 K WT	>80	210	225x30	3
DL SLIM DN 210 18 W 6500 K WT	>80	210	225x30	3

¹ t [h]: L70/B50 @ 25 °C (Ta) / t [h]: L80/B10 @ 25 °C (Ta)



DOWNLIGHT SLIM FRAME, SQUARE AND ROUND

Surface mounting frame for Downlight Slim, square and round shape



- Cable entry on the side for electrical connection with low profile
- Easy installation thanks pre-wired with mains cable (30 cm)
- Robust polycarbonate casing
- Mounting accessories included

AREAS OF APPLICATION

- General illumination
- Public areas
- Stairways
- Corridors
- Foyers

Product name	GTIN (EAN)	L x W x H [mm] Ø x H [mm]	MATERIAL	COLOR		
DL SLIM FRAME SQ 105 WT	4058075079397	121 x 121 x 54	Polycarbonate (PC)	White	1	1
DL SLIM FRAME SQ 155 WT	4058075079410	170 x 170 x 38	Polycarbonate (PC)	White	1	1
DL SLIM FRAME SQ 210 WT	4058075079434	225 x 225 x 38	Polycarbonate (PC)	White	1	1
DL SLIM FRAME DN 105 WT	4058075079151	121 x 54	Polycarbonate (PC)	White	1	2
DL SLIM FRAME DN 155 WT	4058075079175	170 x 38	Polycarbonate (PC)	White	1	2
DL SLIM FRAME DN 210 WT	4058075079199	225 x 38	Polycarbonate (PC)	White	1	2

¹ Refer to www.ledvance.com/guarantee for precise conditions

