

DEEP

deep is a stylish and modern lighting solution that is perfect for illuminating any space. Made of aluminum, this light has a simple and attractive shape that will seamlessly blend in with your home decor. While its bright LED bulbs provide ample illumination. With its stylish design and durable construction of aluminum, it is an ideal choice for any home or office.

TYPE

Downlight - Recessed



■ Technical Specification

LV-DEEP -12W

Power	12W
Efficiency	120 lm/w
LUMINOUS: flux [lm]	1440
CRI	>80
Inbut Voltage	AC 85-265V
Beam Angel	40°
Chip	COB
Driver	isolated
Body Color	White / Black
Dimension	D90*H45mm
Cut-Out	70mm
EAN	6925222001519

Driver Brand Options 



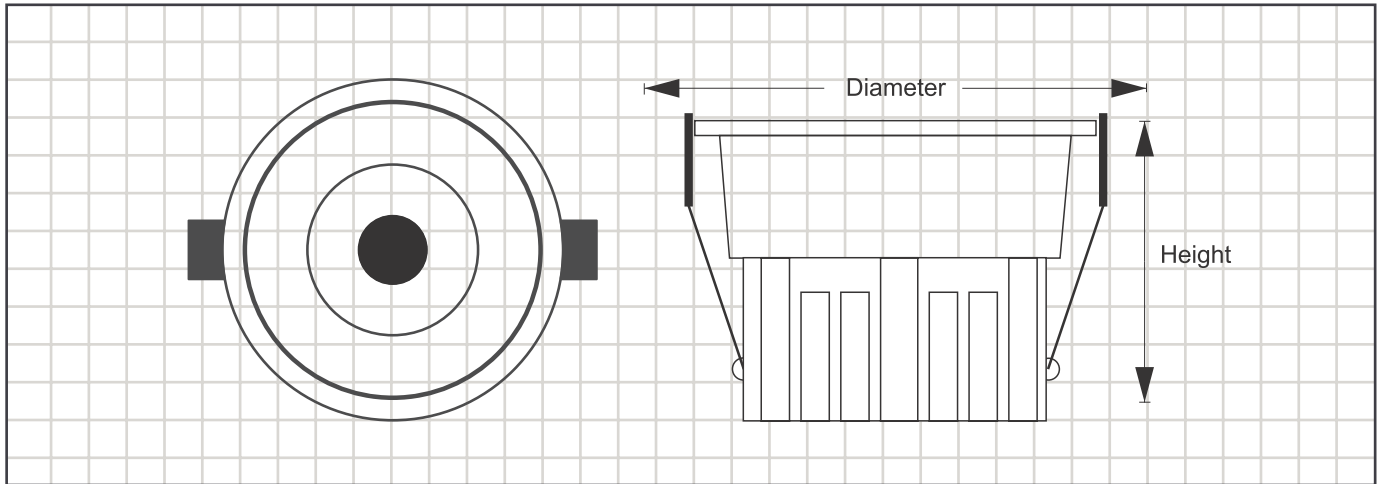



Chip Brand Options 






■ Technical Drawing



■ Features



The material that this device is made of allows it to transmit heat from the light source through the body to the outside, and this helps in self-cooling permanently



40° Beam Angel



IP20



NO FLICKER

CCT [K]

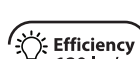


6000K 4000K 3000K

Body color



Life Span
50000h



Efficiency
120 lm/w

Application



General Lighting



Show Room



Office



Healthcare



Education