

Distribution Board - Row Type



EATON

Powering Business Worldwide



Energizing a world that demands more.

Discover today's Eaton.

Powering business worldwide

As a global power management company, we help customers worldwide manage the power needed for buildings, aircraft, trucks, cars, machinery and businesses.

Eaton's innovative technologies help customers manage electrical, hydraulic and mechanical power more reliably, efficiently, safely and sustainably.

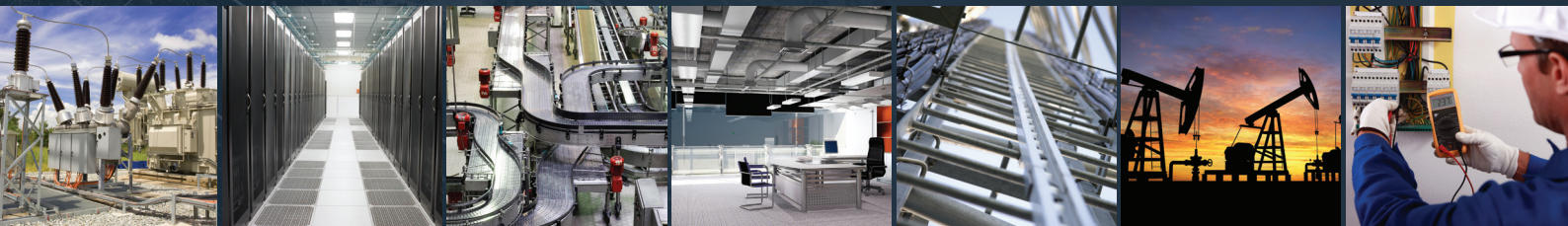


Powering Business Worldwide



We deliver:

Electrical solutions that use less energy, improve power reliability and make the places we live and work safer and more comfortable. We provide integrated solutions that help make energy, in all its forms, more practical and accessible. With 2020 sales of \$17.9 billion, Eaton has approximately 100,000 employees around the world and sells products in more than 175 countries.



Eaton's electrical business

Eaton is a global leader with expertise in:

- Power distribution and circuit protection
- Backup power protection
- Solutions for harsh and hazardous environments
- Lighting and security
- Structural solutions and wiring devices
- Control and automation
- Engineering services

Eaton is positioned through its global solutions to answer today's most critical electrical power management challenges. With 100 years of electrical experience behind us, we're energized by the challenge of powering up a world that demands twice as much energy as today. We're anticipating needs, engineering products and creating solutions to energize our markets today and in the future.

We are dedicated to ensuring that reliable, efficient and safe power is available when it's needed most.

[Eaton.com](https://www.eaton.com)



We make what matters work.*



At Eaton, we believe that power is a fundamental part of just about everything people do. That's why we're dedicated to helping our customers find new ways to manage electrical, hydraulic and mechanical power more efficiently, safely and sustainably. To improve people's lives, the communities where we live and work, and the planet our future generations depend upon. Because this is what really matters. And we're here to make sure it works.

To learn more go to: [Eaton.com/whatmatters](https://www.eaton.com/whatmatters)

EATON

Powering Business Worldwide

We make what matters work.

Product overview

General Characteristics

Our inspirations are our customer's expectations and our mission is to meet them and provide satisfaction through quality products, services & delivery.

Eaton xBoard range of distribution solutions is the basis for development and growth in meeting all the demands for a successful future in residential, commercial and infrastructure segments.

Specifications

- Made of galvanised steel sheets, electrostatically powder coated in RAL 7035 texture.
- Complies with IEC Standards.
- Flush and surface mounting design and complying with IP41 protection as per IEC 60529.
- Colour: As standard RAL 7035, other colours available upon request.
- No. of Module : 16 & 24.
- No. of Rows : 1, 2, 3, 4, 5 & 6 ways.
- Removable and adjustable chassis.
- Removable front cover.
- Provision for earth and neutral bars.
- Enclosure thickness : up to 1.2mm.
- The door or the box itself is reversible for left or right opening.

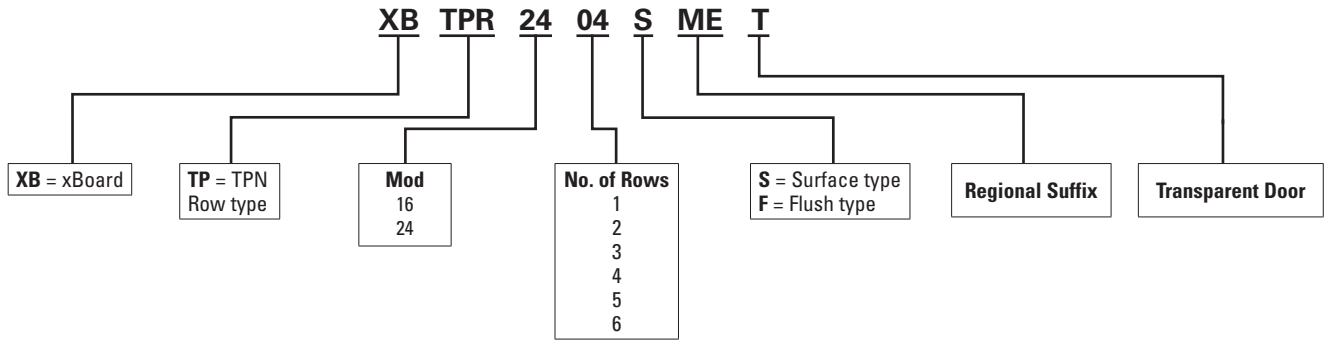


Ordering & Dimension Details

Type	Type of Mounting	No. of Rows	Part numbers (Plain Door)	Part numbers (Transparent Door)	Dimensions in (mm)		
					H1/H2 *	W1/W2*	D
Row Type Modular DBs Mod16	Flush	1	XBTPR1601FME	XBTPR1601FME-T	280/305	440/465	110
		2	XBTPR1602FME	XBTPR1602FME-T	430/435	440/465	110
		3	XBTPR1603FME	XBTPR1603FME-T	580/605	440/465	110
		4	XBTPR1604FME	XBTPR1604FME-T	730/755	440/465	110
		5	XBTPR1605FME	XBTPR1605FME-T	880/905	440/465	110
		6	XBTPR1606FME	XBTPR1606FME-T	1030/1055	440/465	110
	Surface	1	XBTPR1601SME	XBTPR1601SME-T	280/285	440/445	110
		2	XBTPR1602SME	XBTPR1602SME-T	430/435	440/445	110
		3	XBTPR1603SME	XBTPR1603SME-T	580/585	440/445	110
		4	XBTPR1604SME	XBTPR1604SME-T	730/735	440/445	110
		5	XBTPR1605SME	XBTPR1605SME-T	880/885	440/445	110
		6	XBTPR1606SME	XBTPR1606SME-T	1030/1035	440/445	110
Row Type Modular DBs Mod 24	Flush	3	XBTPR2403FME	XBTPR2403FME-T	580/605	584/609	110
		4	XBTPR2404FME	XBTPR2404FME-T	730/755	584/609	110
		5	XBTPR2405FME	XBTPR2405FME-T	880/905	584/609	110
		6	XBTPR2406FME	XBTPR2406FME-T	1030/1055	584/609	110
	Surface	3	XBTPR2403SME	XBTPR2403SME-T	580/585	584/589	110
		4	XBTPR2404SME	XBTPR2404SME-T	730/735	584/589	110
		5	XBTPR2405SME	XBTPR2405SME-T	880/885	584/589	110
		6	XBTPR2406SME	XBTPR2406SME-T	1030/1035	584/589	110

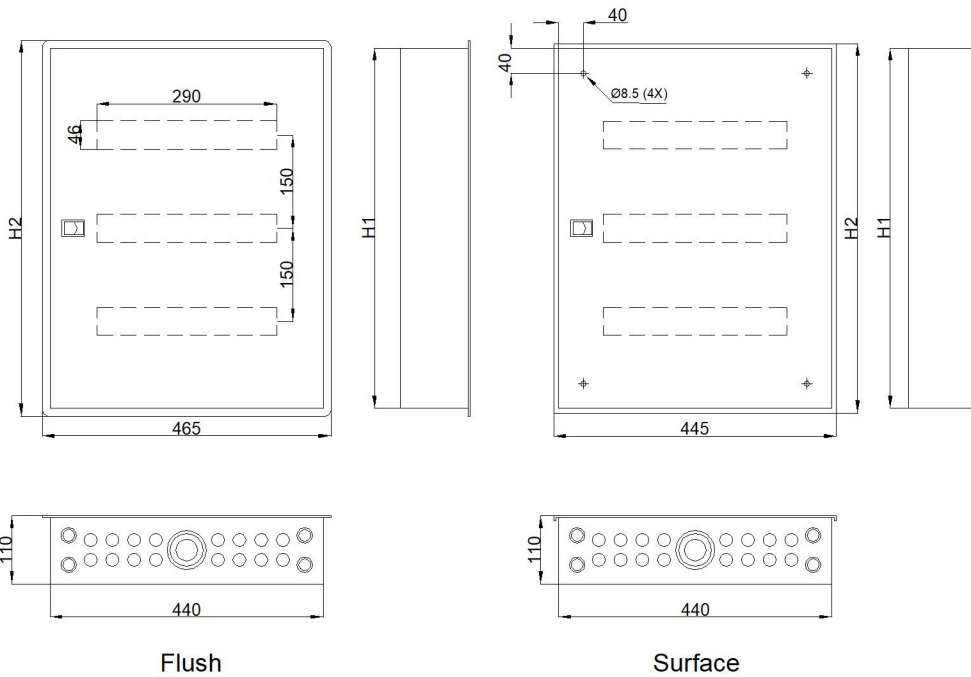
Distribution Boards - Row Type

Part Number Reference

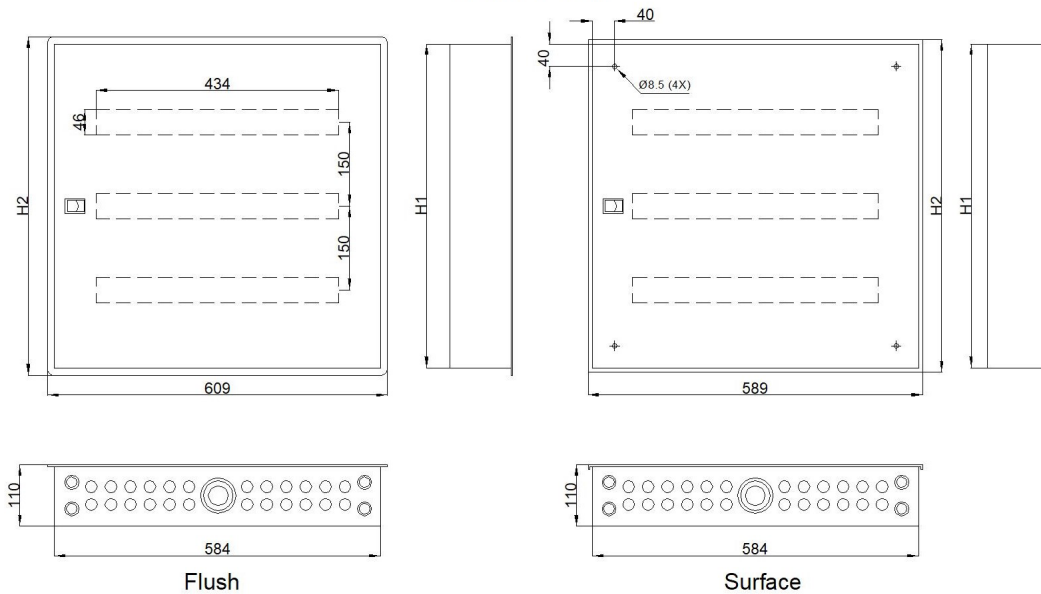


Dimensional Drawings

ROW DB - 16M

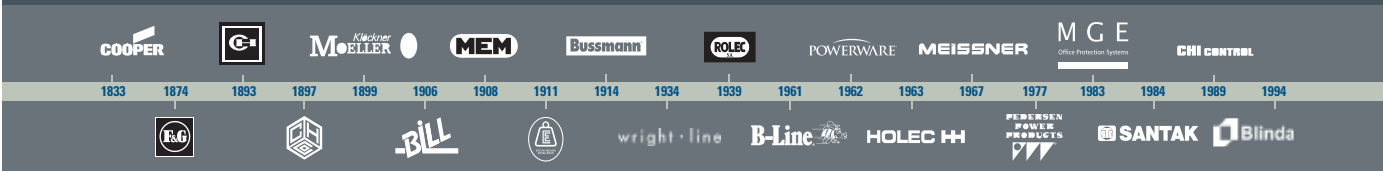


ROW DB - 24M




MGE OFFICE PROTECTION SYSTEMS
 CEAG MOELLER
 MTL MEM CUTLER-HAMMER
 COOPER PDI ARROW HART
 B-LINE BUSSMANN MTL
 HOLEC ULUSOY
 ARROW HART MEM BUSSMANN
 PDI POWERWARE
 MEM BUSSMANN
 ARROW HART CEAG
 MOELLER MTL POWERWARE
 CEAG INNOVATIVE SWITCHGEAR SOLUTIONS
 MTL B-LINE
 HERNIS
 COOPER
 B-LINE
 ARROW HART
 MOELLER
 CEAG MEM
 MTL
 COOPER
 HERNIS POWERWARE HOLEC
 BUSSMANN MTL ARROW HART
 B-LINE COOPER
 MOELLER CEAG HOLEC MOELLER
 MTL POWERWARE CEAG
 MEM MGE OFFICE PROTECTION SYSTEMS
 HERNIS POWERWARE
 COOPER ULUSOY CROUSE-HINDS
 CEAG ARROW HART COOPER
 PDI MOELLER CROUSE-HINDS
 INNOVATIVE SWITCHGEAR SOLUTIONS

MORE POSSIBILITIES.
 POWERFUL SOLUTIONS.



Eaton has been serving the power management needs of our customers for more than a century. Over the years, we have expanded our expertise and portfolio of products and services by uniting some of the world's most respected names with Eaton's strong heritage of innovation. Our goal is simple; to provide unique solutions across a wide range of markets that keep businesses on the leading edge of change. That's the power of One Eaton.



Eaton is an intelligent power management company dedicated to improving the quality of life and protecting the environment for people everywhere. We are guided by our commitment to do business right, to operate sustainably and to help our customers manage power – today and well into the future. By capitalizing on the global growth trends of electrification and digitalization, we're accelerating the planet's transition to renewable energy, helping to solve the world's most urgent power management challenges, and doing what's best for our stakeholders and all of society. Founded in 1911, Eaton has been listed on the NYSE for nearly a century. We reported revenues of \$19.6 billion in 2021 and serve customers in more than 170 countries.

For more information, visit www.eaton.com.
Follow us on Twitter and LinkedIn.

UAE

Middle East Headquarters

National Industries Park – Jebel Ali (South)
P.O. Box 261768
Dubai, United Arab Emirates
Tel: +971 4 8066100
Fax: +971 4 8894813

Saudi Arabia-Al Khobar

Alfalak Building, Albandariah District,
AL Khobar, Saudi Arabia,
PO Box 31952
Tel: +966 1 38825680
Fax: +966 1 38825732

Saudi Arabia-Dammam

111 Jubail Street,
Dammam 2nd Industrial City
PO Box 70160 Al-Khobar 31952,
Saudi Arabia
Tel: +966 3 812 2236

Saudi Arabia-Riyadh

Sahab Tower, 4th Floor,
Office No. 27/28, King Abdullah Street,
Al Mughrazat District, Riyadh
Telephone: +966 11 4602275
Fax : +966 11 4602291

Kuwait

Mazaya Tower 3
Floor 6, Khalid Ibn Al-Waleed Street
Sharq, Kuwait
Tel : 00965 22050067 / 00965 22050068
Fax : 00965 22050069

Lebanon

Sin El Fil, Saydet Al Wardiyeh Street
Beirut Symposium building
2nd floor, Office 2A
Tel/ Fax: +961 1 494711

Oman

206/7, Maktabi Building,
Near Zakher Mall, Al Khuwair
P.O. Box 1982,
PC 111 CPO, Oman.
Tel: +968 24391973
Fax: +968 24483801

Jordan

Amman-Mecca & Madina streets
Intersection
Al-Haramien intersection.
Al Hajar Al Aswad Complex,
3rd floor - Office 306
Tel: + 962 6 5542538

Qatar

Financial Square Building
Building 2, Floor 2, Office 3
C Ring Road, Doha Qatar
Tel: +974 44674273
Fax: +974 44667134

Egypt

Point 192 Building,
192, Teseen South Street,
New Cairo City, Cairo, Egypt
Tel no.: +202 2538 3151
Fax no.: +202 2538 3152

Eaton

Middle East Headquarters
National Industries Park – Jebel Ali (South)
P.O. Box 261768
Dubai, United Arab Emirates
Tel: +971 4 8066100
Fax: +971 4 8894813
Email: EatonMiddleEnquiries@Eaton.com

© 2023 Eaton
All Rights Reserved
March 2023

Changes to the products, to the information contained in this document, and to prices are reserved; so are errors and omissions. Only order confirmations and technical documentation by Eaton is binding. Photos and pictures also do not warrant a specific layout or functionality. Their use in whatever form is subject to prior approval by Eaton. The same applies to Trademarks (especially Eaton, Moeller, and Cutler-Hammer). The Terms and Conditions of Eaton apply, as referenced on Eaton Internet pages and Eaton order confirmations.

Note: Actual products may slightly differ from the pictures in this catalogue

Eaton is a registered trademark.

All other trademarks are property of their respective owners.

Follow us on social media to get the latest product and support information.



EATON

Powering Business Worldwide