



Estilo TW

SPOTLIGHTS



Description

Estilo TW, LED Spotlight, uses SMD LEDs for indoor applications. Housing is made of aluminum and plastic material.

Product Features

- SMD LEDs
- Selective CCT via dip switch
- Elegant and Stylish design
- Good thermal management
- IP Rating: IP20
- Life Span: 50,000 hours

Electrical Specifications

- Rated Supply Voltage: 220-240VAC
- Frequency: 50/60Hz

Applications



Offices



Showrooms



Shopping Malls

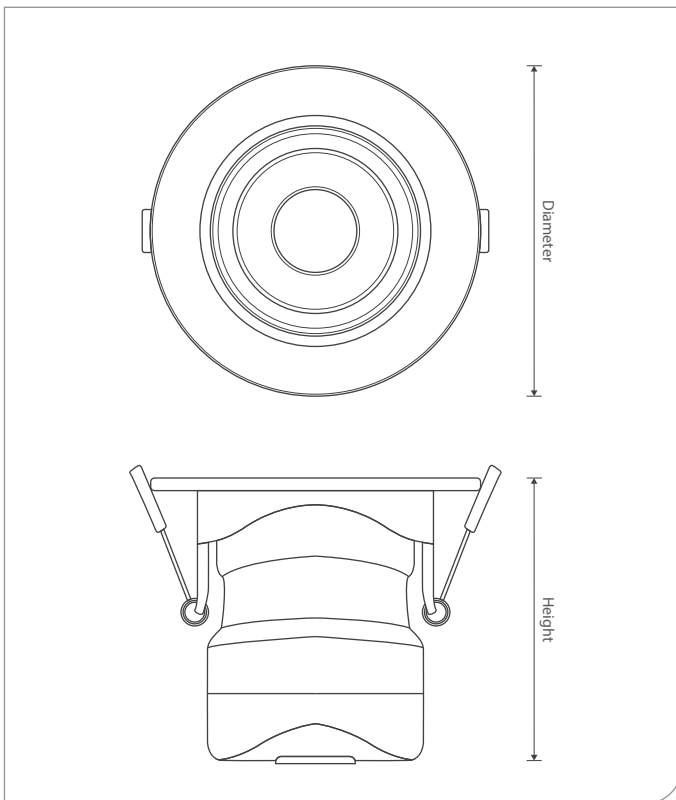


Restaurants



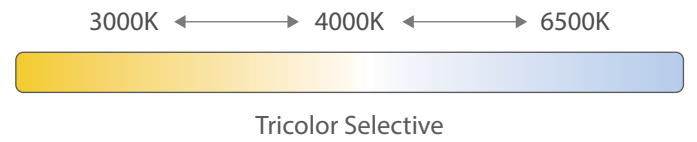


Technical Drawing



Dimensions

Model	Diameter	Height
DUESTW-6	Φ 90mm	63mm
DUESTW-9	Φ 105mm	73mm



Technical Specifications

Model	Power [W]	LED type	Luminous flux [lm]	Luminous efficacy [lm/W]	CCT [K]	Beam angle	Cut-out [mm]	CRI [Ra]
DUESTW-6	6W	COB	580 lm	96 lm/W	Tricolor Selective 3000K/4000K/5700K	100°	70mm	>80
DUESTW-9	9W	LED	890 lm	98 lm/W			90mm	