

FLOODLIGHTS

FLOODLIGHTS WITH THE RIGHT ILLUMINATION FOR A WIDE VARIETY OF PROJECTS

FLOODLIGHT PERFORMANCE: POWERFUL AND PRECISE

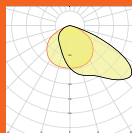
Extremely robust and durable floodlights, available in 3 application-specific light distributions. Thanks to their high luminous flux, the luminaires are ideal for replacing floodlights that use conventional high-pressure discharge lamps.

PERFORMANCE CLASS

Page 162



Distribution of light ASYM 55 x 110



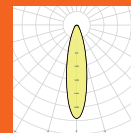
Asymmetrical wide beam 55° x 110°
Illumination of areas, parking lots, sports grounds and facades

Distribution of light ASYM 45 x 140

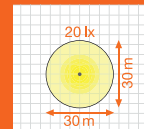
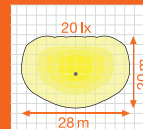
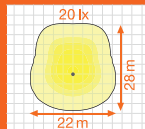
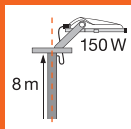


Asymmetrical extra wide beam 45° x 140°
Illumination of areas, parking lots and (industrial) roads with wide mast spacing

Distribution of light SYM R30



Rotationally symmetrical 30°
Illumination of sports grounds and applications that require high illuminance levels



Typical application: area with 20 lx average illuminance per light distribution. At 150 W connected load, 8 m mast height, 0° tilt and uniformity of $U_0 = 0.25$. Gray dot shows mast position.



FLOODLIGHT: VERSATILE ALL-ROUNDERS

Broad all-round floodlight portfolio: the eight power levels, three color temperatures and black or white housings meet a wide range of requirements.

PERFORMANCE CLASS

Page 166



FLOODLIGHT SENSOR AND PHOTOCELL SENSOR: INTELLIGENT AND EFFICIENT

Luminaires for optimized outdoor lighting by means of daylight and motion sensors.

PERFORMANCE CLASS

Page 170



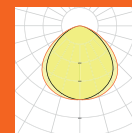
FLOODLIGHT VALUE: JUST LIGHT

Although stripped down to the essential, the floodlights still provide safe and long-lasting lighting outdoors.

VALUE CLASS

Page 174

Distribution of light SYM 100



Symmetrical light pattern 100° x 100°
General outdoor and facade lighting



FLOODLIGHT PERFORMANCE

IP66 floodlight with lens based light distribution up to 140 lm/W



PRODUCT FEATURES

- Aluminum die-cast housing, black (similar to RAL 9017) with toughened glass
- Robust design: IP66, IK08, -30° to +50° temperature resistance and surge protection
- Integrated breather for preventing condensation inside the luminaire
- Suitable for locations with fire hazards according to EN 60598-2-24 (D-mark)
- 2m connection cable with open, crimped wire ends for flexible installation

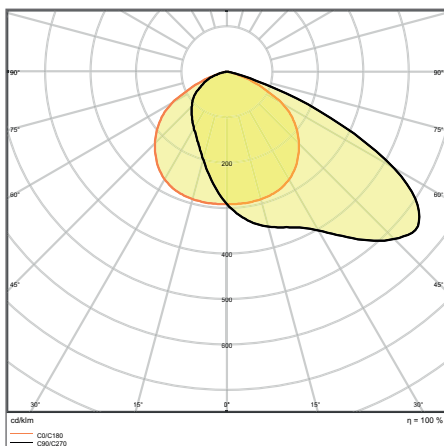
PRODUCT BENEFITS

- Available in 5 power levels, for replacement of traditional luminaires, up to 2000W (HAL)
- Available in 3 light distributions for optimum illumination of a wide range of applications
- Suitable for wall or mast mounting thanks to angled bracket with a great rotation range
- Highly efficient directional light through single lenses, with up to 140 lm/W luminous efficiency
- 5 years guarantee

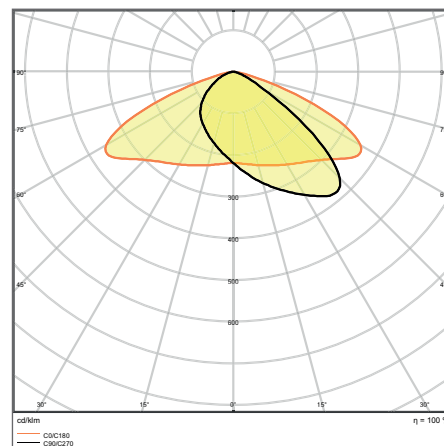
AREAS OF APPLICATION

- Direct replacement for luminaires using HID lamps
- Outdoor use (IP66)
- Public areas
- Industry
- Sports facilities

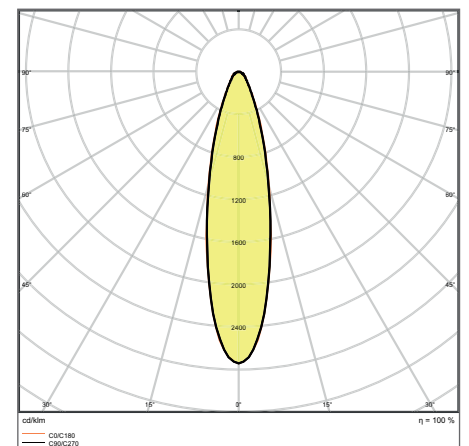
FURTHER PRODUCT DETAILS



FL PFM ASYM 55x110 290 W 4000 K BK



FL PFM ASYM 45x140 290 W 4000 K BK

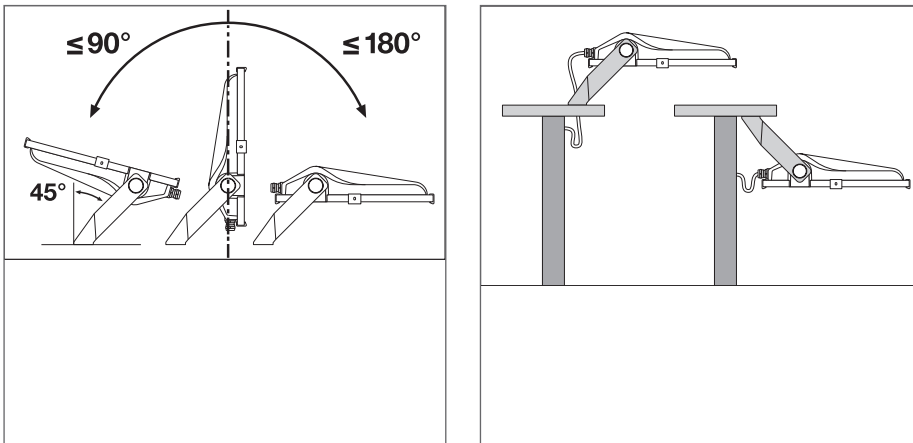


FL PFM SYM R30 290 W 4000 K BK

¹ Refer to www.ledvance.com/guarantee for precise conditions

The pictures shown in the catalog are for illustration purposes only. For information on size and color, please refer to the product table.

FURTHER PRODUCT DETAILS



FLOODLIGHT PERFORMANCE ASYM 55x110

Floodlight with wide beam, asymmetric light distribution for various application areas

Product name	Segmentation	GTIN (EAN)	RE-PLACEMENT FOR	W	lm	lm/W	K	L70 ¹	L80 ¹	
FL PFM ASYM 55x110 50 W 3000 K BK	■	4058075353299	500W HAL	50	5800	115	3000	100000	70000	55° x 110°
FL PFM ASYM 55x110 50 W 4000 K BK	■	4058075353305	500W HAL	50	6300	125	4000	100000	70000	55° x 110°
FL PFM ASYM 55x110 100 W 3000 K BK	■	4058075353312	1000W HAL	100	11900	120	3000	100000	70000	55° x 110°
FL PFM ASYM 55x110 100 W 4000 K BK	■	4058075353527	1000W HAL	100	12900	130	4000	100000	70000	55° x 110°
FL PFM ASYM 55x110 150 W 3000 K BK	■	4058075353534	1500W HAL	150	18400	125	3000	100000	70000	55° x 110°
FL PFM ASYM 55x110 150 W 4000 K BK	■	4058075353541	1500W HAL	150	19900	135	4000	100000	70000	55° x 110°
FL PFM ASYM 55x110 200 W 3000 K BK	■	4058075353558	1500W HAL	200	24400	130	3000	100000	70000	55° x 110°
FL PFM ASYM 55x110 200 W 4000 K BK	■	4058075353565	1500W HAL	200	26400	140	4000	100000	70000	55° x 110°
FL PFM ASYM 55x110 290 W 3000 K BK	■	4058075353572	2000W HAL	290	35600	125	3000	100000	70000	55° x 110°
FL PFM ASYM 55x110 290 W 4000 K BK	■	4058075353602	2000W HAL	290	38500	135	4000	100000	70000	55° x 110°



Product name	CRI	FLICKER VALUE	IK		CABLE LENGTH	L x W x H [mm] Ø x H [mm]
FL PFM ASYM 55x110 50 W 3000 K BK	>80	-	IK08	2600	2000	314 x 240 x 63
FL PFM ASYM 55x110 50 W 4000 K BK	>80	-	IK08	2600	2000	314 x 240 x 63
FL PFM ASYM 55x110 100 W 3000 K BK	>80	<10 %	IK08	3900	2000	418 x 330 x 77
FL PFM ASYM 55x110 100 W 4000 K BK	>80	<10 %	IK08	3900	2000	418 x 330 x 77
FL PFM ASYM 55x110 150 W 3000 K BK	>80	<10 %	IK08	4500	2000	451 x 330 x 77
FL PFM ASYM 55x110 150 W 4000 K BK	>80	<10 %	IK08	4500	2000	451 x 330 x 77
FL PFM ASYM 55x110 200 W 3000 K BK	>80	<10 %	IK08	6300	2000	494 x 395 x 87
FL PFM ASYM 55x110 200 W 4000 K BK	>80	<10 %	IK08	6300	2000	494 x 395 x 87
FL PFM ASYM 55x110 290 W 3000 K BK	>80	<10 %	IK08	9500	2000	567 x 465 x 97
FL PFM ASYM 55x110 290 W 4000 K BK	>80	<10 %	IK08	9500	2000	567 x 465 x 97

¹ t [h]: L70/B50 @ 25 °C (Ta) / t [h]: L80/B10 @ 25 °C (Ta)

FLOODLIGHT PERFORMANCE ASYM 45X140

Floodlight with very wide beam, asymmetric light distribution for area lighting

Product name	Segmentation	GTIN (EAN)	RE-PLACEMENT FOR	W	lm	lm/W	K	L70 ¹	L80 ¹	∠
FL PFM ASYM 45x140 50 W 3000 K BK	■	4058075353619	500W HAL	50	5700	115	3000	100000	70000	45° x 140°
FL PFM ASYM 45x140 50 W 4000 K BK	■	4058075353626	500W HAL	50	6200	125	4000	100000	70000	45° x 140°
FL PFM ASYM 45x140 100 W 3000 K BK	■	4058075353633	1000W HAL	100	11800	120	3000	100000	70000	45° x 140°
FL PFM ASYM 45x140 100 W 4000 K BK	■	4058075353688	1000W HAL	100	12800	130	4000	100000	70000	45° x 140°
FL PFM ASYM 45x140 150 W 3000 K BK	■	4058075353695	1500W HAL	150	18300	120	3000	100000	70000	45° x 140°
FL PFM ASYM 45x140 150 W 4000 K BK	■	4058075353701	1500W HAL	150	19800	130	4000	100000	70000	45° x 140°
FL PFM ASYM 45x140 200 W 3000 K BK	■	4058075353718	1500W HAL	200	24200	130	3000	100000	70000	45° x 140°
FL PFM ASYM 45x140 200 W 4000 K BK	■	4058075353725	1500W HAL	200	26200	140	4000	100000	70000	45° x 140°
FL PFM ASYM 45x140 290 W 3000 K BK	■	4058075353732	2000W HAL	290	35300	120	3000	100000	70000	45° x 140°
FL PFM ASYM 45x140 290 W 4000 K BK	■	4058075353749	2000W HAL	290	38200	130	4000	100000	70000	45° x 140°



Product name	CRI	FLICKER VALUE	IK	g	CABLE LENGTH	L x W x H [mm] ∅ x H [mm]
FL PFM ASYM 45x140 50 W 3000 K BK	>80	-	IK08	2600	2000	314 x 240 x 63
FL PFM ASYM 45x140 50 W 4000 K BK	>80	-	IK08	2600	2000	314 x 240 x 63
FL PFM ASYM 45x140 100 W 3000 K BK	>80	<10 %	IK08	3900	2000	418 x 330 x 77
FL PFM ASYM 45x140 100 W 4000 K BK	>80	<10 %	IK08	3900	2000	418 x 330 x 77
FL PFM ASYM 45x140 150 W 3000 K BK	>80	<10 %	IK08	4500	2000	451 x 330 x 77
FL PFM ASYM 45x140 150 W 4000 K BK	>80	<10 %	IK08	4500	2000	451 x 330 x 77
FL PFM ASYM 45x140 200 W 3000 K BK	>80	<10 %	IK08	6300	2000	494 x 395 x 87
FL PFM ASYM 45x140 200 W 4000 K BK	>80	<10 %	IK08	6300	2000	494 x 395 x 87
FL PFM ASYM 45x140 290 W 3000 K BK	>80	<10 %	IK08	9500	2000	567 x 465 x 97
FL PFM ASYM 45x140 290 W 4000 K BK	>80	<10 %	IK08	9500	2000	567 x 465 x 97

FLOODLIGHT PERFORMANCE SYM R30

Floodlight with rotational symmetric light distribution for high mast area lighting

Product name	Segmentation	GTIN (EAN)	RE-PLACEMENT FOR	W	lm	lm/W	K	L70 ¹	L80 ¹	∠
FL PFM SYM R30 150 W 3000 K BK	■	4058075353756	1500W HAL	150	18700	125	3000	100000	70000	30
FL PFM SYM R30 150 W 4000 K BK	■	4058075353763	1500W HAL	150	20200	135	4000	100000	70000	30
FL PFM SYM R30 200 W 3000 K BK	■	4058075353770	1500W HAL	200	24800	130	3000	100000	70000	30
FL PFM SYM R30 200 W 4000 K BK	■	4058075353787	1500W HAL	200	26800	140	4000	100000	70000	30
FL PFM SYM R30 290 W 3000 K BK	■	4058075353794	2000W HAL	290	36200	125	3000	100000	70000	30
FL PFM SYM R30 290 W 4000 K BK	■	4058075353800	2000W HAL	290	39100	135	4000	100000	70000	30



Product name	CRI	FLICKER VALUE	IK	g	CABLE LENGTH	L x W x H [mm] ∅ x H [mm]
FL PFM SYM R30 150 W 3000 K BK	>80	<10 %	IK08	4500	2000	451 x 330 x 77
FL PFM SYM R30 150 W 4000 K BK	>80	<10 %	IK08	4500	2000	451 x 330 x 77
FL PFM SYM R30 200 W 3000 K BK	>80	<10 %	IK08	6300	2000	494 x 395 x 87
FL PFM SYM R30 200 W 4000 K BK	>80	<10 %	IK08	6300	2000	494 x 395 x 87
FL PFM SYM R30 290 W 3000 K BK	>80	<10 %	IK08	9500	2000	567 x 465 x 97
FL PFM SYM R30 290 W 4000 K BK	>80	<10 %	IK08	9500	2000	567 x 465 x 97

¹ t [h]: L70/B50 @ 25 °C (Ta) / t [h]: L80/B10 @ 25 °C (Ta)



FLOODLIGHT, 10 W-50 W

Floodlight with reflector based, symmetric light distribution up to 110 lm/W



PRODUCT FEATURES

- Aluminum housing with toughened glass, black
- Symmetrical beam angle: 100° x 100°
- Mounting bracket for up to 180° tilting
- Connection via 1 m cable, wiring required

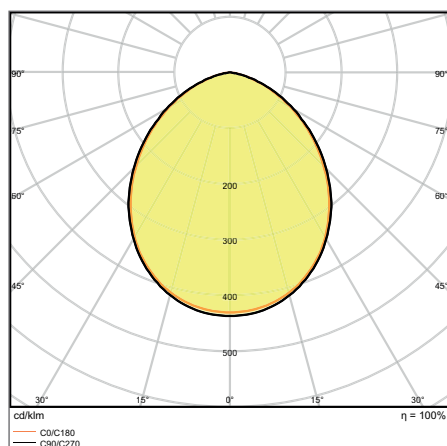
PRODUCT BENEFITS

- Frosted cover made of tempered glass for uniform illumination
- Energy savings of up to 90 % compared to halogen lamp floodlights
- Impact resistance: IK08
- No upper light output ratio (ULOR 0%) when mounted at 0° tilt

AREAS OF APPLICATION

- Replacement for floodlights with halogen lamps
- Car parks and underpasses
- Public areas
- Building facades
- Construction areas

FURTHER PRODUCT DETAILS



FLOODLIGHT 50 W 6500 K IP65 WT

¹ Refer to www.ledvance.com/guarantee for precise conditions

The pictures shown in the catalog are for illustration purposes only. For information on size and color, please refer to the product table.

Product name	Segmentation	GTIN (EAN)	RE-PLACE-MENT FOR	W	lm	lm/W	K	L70	L80	°
FLOODLIGHT 10 W 3000 K IP65 BK	■	4058075097360	80W HAL	10	1050	105	3000	50000	30000	100 ° x 100 °
FLOODLIGHT 10 W 3000 K IP65 WT	■	4058075097384	80W HAL	10	1050	105	3000	50000	30000	100 ° x 100 °
FLOODLIGHT 10 W 4000 K IP65 BK	■	4058075097407	80W HAL	10	1100	110	4000	50000	30000	100 ° x 100 °
FLOODLIGHT 10 W 4000 K IP65 WT	■	4058075097421	80W HAL	10	1100	110	4000	50000	30000	100 ° x 100 °
FLOODLIGHT 20 W 3000 K IP65 BK	■	4058075097445	160W HAL	20	2100	105	3000	50000	30000	100 ° x 100 °
FLOODLIGHT 20 W 3000 K IP65 WT	■	4058075097469	160W HAL	20	2100	105	3000	50000	30000	100 ° x 100 °
FLOODLIGHT 20 W 4000 K IP65 BK	■	4058075097483	160W HAL	20	2200	110	4000	50000	30000	100 ° x 100 °
FLOODLIGHT 20 W 4000 K IP65 WT	■	4058075097506	160W HAL	20	2200	110	4000	50000	30000	100 ° x 100 °
FLOODLIGHT 20 W 6500 K IP65 BK	■	4058075097520	160W HAL	20	2200	110	6500	50000	30000	100 ° x 100 °
FLOODLIGHT 20 W 6500 K IP65 WT	■	4058075097544	160W HAL	20	2200	110	6500	50000	30000	100 ° x 100 °
FLOODLIGHT 30 W 3000 K IP65 BK	■	4058075251366	250W HAL	30	3150	110	3000	50000	30000	100 ° x 100 °
FLOODLIGHT 30 W 3000 K IP65 WT	■	4058075251427	250W HAL	30	3150	110	3000	50000	30000	100 ° x 100 °
FLOODLIGHT 30 W 4000 K IP65 BK	■	4058075251380	250W HAL	30	3300	110	4000	50000	30000	100 ° x 100 °
FLOODLIGHT 30 W 4000 K IP65 WT	■	4058075251441	250W HAL	30	3300	110	4000	50000	30000	100 ° x 100 °
FLOODLIGHT 30 W 6500 K IP65 BK	■	4058075251403	250W HAL	30	3300	110	6500	50000	30000	100 ° x 100 °
FLOODLIGHT 30 W 6500 K IP65 WT	■	4058075251465	250W HAL	30	3300	110	6500	50000	30000	100 ° x 100 °
FLOODLIGHT 50 W 3000 K IP65 BK	■	4058075097568	400W HAL	50	5250	105	3000	50000	30000	100 ° x 100 °
FLOODLIGHT 50 W 3000 K IP65 WT	■	4058075097582	400W HAL	50	5250	105	3000	50000	30000	100 ° x 100 °
FLOODLIGHT 50 W 4000 K IP65 BK	■	4058075097605	400W HAL	50	5500	110	4000	50000	30000	100 ° x 100 °
FLOODLIGHT 50 W 4000 K IP65 WT	■	4058075097629	400W HAL	50	5500	110	4000	50000	30000	100 ° x 100 °
FLOODLIGHT 50 W 6500 K IP65 BK	■	4058075097643	400W HAL	50	5500	110	6500	50000	30000	100 ° x 100 °
FLOODLIGHT 50 W 6500 K IP65 WT	■	4058075097667	400W HAL	50	5500	110	6500	50000	30000	100 ° x 100 °



Product name	CRI	IK	CABLE LENGTH	L x W x H [mm] ∅ x H [mm]
FLOODLIGHT 10 W 3000 K IP65 BK	≥80	IK07	1000	125 x 115 x 39
FLOODLIGHT 10 W 3000 K IP65 WT	≥80	IK07	1000	125 x 115 x 39
FLOODLIGHT 10 W 4000 K IP65 BK	≥80	IK07	1000	125 x 115 x 39
FLOODLIGHT 10 W 4000 K IP65 WT	≥80	IK07	1000	125 x 115 x 39
FLOODLIGHT 20 W 3000 K IP65 BK	≥80	IK07	1000	130 x 140 x 41
FLOODLIGHT 20 W 3000 K IP65 WT	≥80	IK07	1000	130 x 140 x 41
FLOODLIGHT 20 W 4000 K IP65 BK	≥80	IK07	1000	130 x 140 x 41
FLOODLIGHT 20 W 4000 K IP65 WT	≥80	IK07	1000	130 x 140 x 41
FLOODLIGHT 20 W 6500 K IP65 BK	≥80	IK07	1000	130 x 140 x 41
FLOODLIGHT 20 W 6500 K IP65 WT	≥80	IK07	1000	130 x 140 x 41
FLOODLIGHT 30 W 3000 K IP65 BK	≥80	IK07	1000	140 x 150 x 42
FLOODLIGHT 30 W 3000 K IP65 WT	≥80	IK07	1000	140 x 150 x 42
FLOODLIGHT 30 W 4000 K IP65 BK	≥80	IK07	1000	140 x 150 x 42
FLOODLIGHT 30 W 4000 K IP65 WT	≥80	IK07	1000	140 x 150 x 42
FLOODLIGHT 30 W 6500 K IP65 BK	≥80	IK07	1000	140 x 150 x 42
FLOODLIGHT 30 W 6500 K IP65 WT	≥80	IK07	1000	140 x 150 x 42
FLOODLIGHT 50 W 3000 K IP65 BK	≥80	IK07	1000	155 x 180 x 46
FLOODLIGHT 50 W 3000 K IP65 WT	≥80	IK07	1000	155 x 180 x 46
FLOODLIGHT 50 W 4000 K IP65 BK	≥80	IK07	1000	155 x 180 x 46
FLOODLIGHT 50 W 4000 K IP65 WT	≥80	IK07	1000	155 x 180 x 46
FLOODLIGHT 50 W 6500 K IP65 BK	≥80	IK07	1000	155 x 180 x 46
FLOODLIGHT 50 W 6500 K IP65 WT	≥80	IK07	1000	155 x 180 x 46

¹ t [h]: L70/B50 @ 25 °C (Ta) / t [h]: L80/B10 @ 25 °C (Ta)

FLOODLIGHT, 70 W – 180 W

Floodlight with reflector based, symmetric light distribution up to 110 lm/W



PRODUCT FEATURES

- Aluminum housing with toughened glass, black
- Symmetrical beam angle: 100° x 100°
- Mounting bracket for up to 180° tilting
- Connection via 1 m cable, wiring required

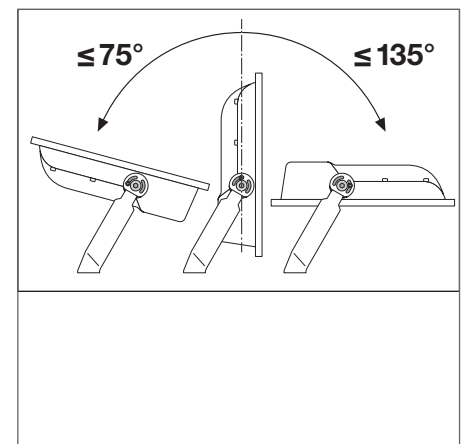
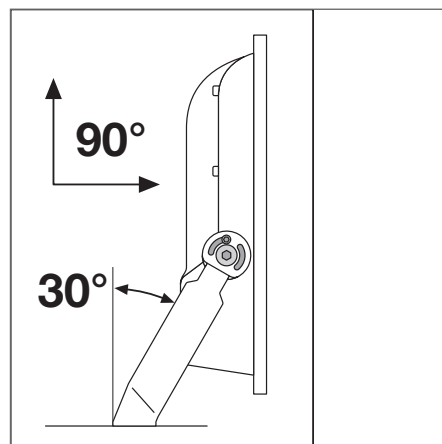
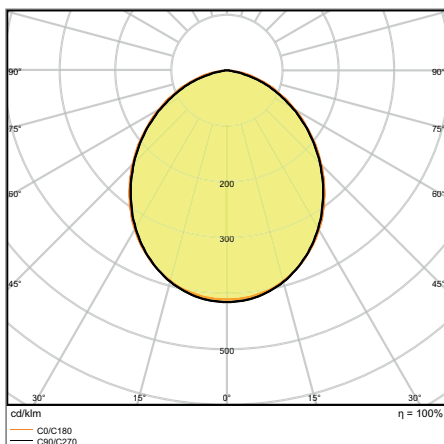
PRODUCT BENEFITS

- Frosted cover made of tempered glass for uniform illumination
- Energy savings of up to 90 % compared to halogen lamp floodlights
- Impact resistance: IK08
- No upper light output ratio (ULOR 0%) when mounted at 0° tilt

AREAS OF APPLICATION

- Replacement for floodlights with halogen lamps
- Garages
- Public areas
- Building facades
- Construction areas

FURTHER PRODUCT DETAILS



FLOODLIGHT 180 W 4000 K IP65 BK

¹ Refer to www.ledvance.com/guarantee for precise conditions

The pictures shown in the catalog are for illustration purposes only. For information on size and color, please refer to the product table.

Product name	Segmentation	GTIN (EAN)	RE-PLACE-MENT-FOR	W	lm	lm/W	K	L70	L80	°
FLOODLIGHT 70 W 3000 K IP65 BK	■	4058075352131	500W HAL	70	7300	105	3000	50000	30000	100 ° x 100 °
FLOODLIGHT 70 W 4000 K IP65 BK	■	4058075251342	500W HAL	70	7700	110	4000	50000	30000	100 ° x 100 °
FLOODLIGHT 70 W 6500 K IP65 BK	■	4058075251359	500W HAL	70	7700	110	6500	50000	30000	100 ° x 100 °
FLOODLIGHT 90 W 3000 K IP65 BK	■	4058075352148	750W HAL	90	9400	105	3000	50000	30000	100 ° x 100 °
FLOODLIGHT 90 W 4000 K IP65 BK	■	4058075097681	750W HAL	90	10000	110	4000	50000	30000	100 ° x 100 °
FLOODLIGHT 90 W 6500 K IP65 BK	■	4058075097698	750W HAL	90	10000	110	6500	50000	30000	100 ° x 100 °
FLOODLIGHT 135 W 3000 K IP65 BK	■	4058075352155	1000W HAL	135	14100	105	3000	50000	30000	100 ° x 100 °
FLOODLIGHT 135 W 4000 K IP65 BK	■	4058075097704	1000W HAL	135	15000	110	4000	50000	30000	100 ° x 100 °
FLOODLIGHT 135 W 6500 K IP65 BK	■	4058075097711	1000W HAL	135	15000	110	6500	50000	30000	100 ° x 100 °
FLOODLIGHT 180 W 3000 K IP65 BK	■	4058075352162	1500W HAL	180	18900	105	3000	50000	30000	100 ° x 100 °
FLOODLIGHT 180 W 4000 K IP65 BK	■	4058075097728	1500W HAL	180	20000	110	4000	50000	30000	100 ° x 100 °
FLOODLIGHT 180 W 6500 K IP65 BK	■	4058075097735	1500W HAL	180	20000	110	6500	50000	30000	100 ° x 100 °



Product name	CRI	IK	CABLE LENGTH	L x W x H [mm]	Ø x H [mm]
FLOODLIGHT 70 W 3000 K IP65 BK	≥80	IK08	2500	1000	250 x 240 x 70
FLOODLIGHT 70 W 4000 K IP65 BK	≥80	IK08	2500	1000	250 x 240 x 70
FLOODLIGHT 70 W 6500 K IP65 BK	≥80	IK08	2500	1000	250 x 240 x 70
FLOODLIGHT 90 W 3000 K IP65 BK	≥80	IK08	2600	1000	250 x 240 x 70
FLOODLIGHT 90 W 4000 K IP65 BK	≥80	IK08	2600	1000	250 x 240 x 70
FLOODLIGHT 90 W 6500 K IP65 BK	≥80	IK08	2600	1000	250 x 240 x 70
FLOODLIGHT 135 W 3000 K IP65 BK	≥80	IK08	3900	1000	300 x 270 x 76
FLOODLIGHT 135 W 4000 K IP65 BK	≥80	IK08	3900	1000	300 x 270 x 76
FLOODLIGHT 135 W 6500 K IP65 BK	≥80	IK08	3900	1000	300 x 270 x 76
FLOODLIGHT 180 W 3000 K IP65 BK	≥80	IK08	4900	1000	340 x 310 x 81
FLOODLIGHT 180 W 4000 K IP65 BK	≥80	IK08	4900	1000	340 x 310 x 81
FLOODLIGHT 180 W 6500 K IP65 BK	≥80	IK08	4900	1000	340 x 310 x 81

¹ t [h]: L70/B50 @ 25 °C (Ta) / t [h]: L80/B10 @ 25 °C (Ta)

FLOODLIGHT SENSOR

Floodlight with programmable motion and daylight sensor



PRODUCT FEATURES

- PC housing with toughened glass, black
- Symmetrical beam angle: 100° x 100°
- Mounting bracket for up to 180° tilting
- PIR motion and daylight sensor
- Connection via 1 m cable, wiring required

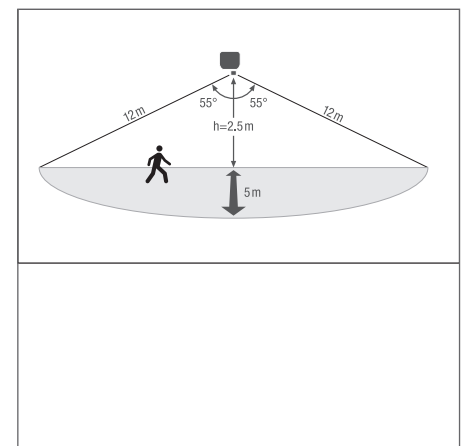
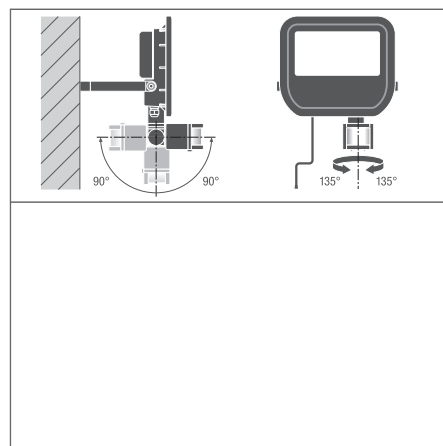
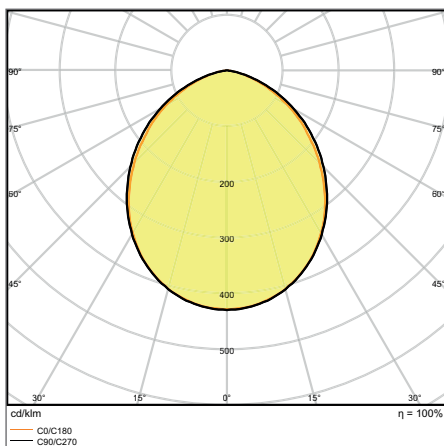
PRODUCT BENEFITS

- Easy adjustment of range, daylight and motion detection via rotary switch
- Energy savings of up to 90 % compared to halogen lamp floodlights
- No upper light output ratio (ULOR 0%) when mounted at 0° tilt
- Impact resistance: IK07

AREAS OF APPLICATION

- Replacement for floodlights with halogen lamps
- Car parks and underpasses
- Garages
- Public areas
- Construction areas

FURTHER PRODUCT DETAILS



FLOODLIGHT 50 W 4000 K IP65 BK S

¹ Versions with integrated sensor available | ² Refer to www.ledvance.com/guarantee for precise conditions

The pictures shown in the catalog are for illustration purposes only. For information on size and color, please refer to the product table.

Product name	Segmentation	GTIN (EAN)	RE-PLACE- MENT-FOR	W	lm	lm/W	K	L70 ¹	L80 ¹	°
FLOODLIGHT 20 W 3000 K IP65 BK S	■	4058075143531	160W HAL	20	2200	110	3000	50000	30000	100 ° x 100 °
FLOODLIGHT 20 W 4000 K IP65 BK S	■	4058075143555	160W HAL	20	2200	110	4000	50000	30000	100 ° x 100 °
FLOODLIGHT 50 W 3000 K IP65 BK S	■	4058075143579	400W HAL	50	5500	110	3000	50000	30000	100 ° x 100 °
FLOODLIGHT 50 W 4000 K IP65 BK S	■	4058075143593	400W HAL	50	5500	110	4000	50000	30000	100 ° x 100 °



Product name	CRI	IK	CABLE LENGTH	L x W x H [mm] Ø x H [mm]
FLOODLIGHT 20 W 3000 K IP65 BK S	≥80	IK07	1000	223.5 x 167 x 104
FLOODLIGHT 20 W 4000 K IP65 BK S	≥80	IK07	1000	223.5 x 167 x 104
FLOODLIGHT 50 W 3000 K IP65 BK S	≥80	IK07	1000	251 x 216 x 122
FLOODLIGHT 50 W 4000 K IP65 BK S	≥80	IK07	1000	251 x 216 x 122

SENSOR PROPERTIES

Product name	Type of sensor	Sensor technology	Detection threshold of daylight sensor	Detection range of motion sensor	Sensor detection angle
FLOODLIGHT SENSOR 20	Motion/Light	Infrared/Photocell	0...1000 lx	0...12 m	110 °
FLOODLIGHT SENSOR 50	Motion/Light	Infrared/Photocell	0...1000 lx	0...12 m	110 °

¹ t [h]: L70/B50 @ 25 °C (Ta) / t [h]: L80/B10 @ 25 °C (Ta)

FLOODLIGHT PHOTOCELL SENSOR

Floodlight with integrated daylight sensor



PRODUCT FEATURES

- Aluminum housing with toughened glass, black
- Integrated photocell daylight sensor, auto on <math><35\text{ lx}</math>, auto off $>95\text{ lx}$
- Symmetrical beam angle: $100^\circ \times 100^\circ$
- Angled (30°) mounting bracket and up to 180° tilting
- Connection via 1 m cable, wiring required

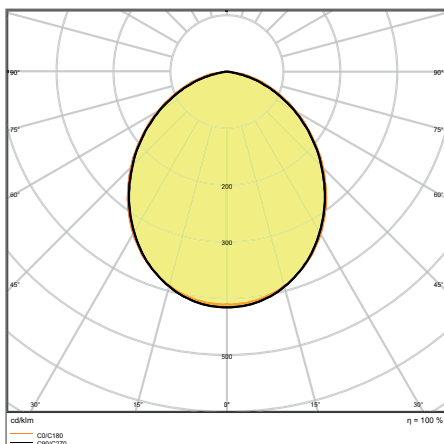
PRODUCT BENEFITS

- Automatically switches on and off according to available daylight thanks to photocell light sensor
- Energy savings of up to 90 % compared to halogen lamp spotlights
- No upper light output ratio (ULOR 0%) when mounted at 0° tilt
- Impact resistance: IK08 (IK07 photocell sensor)

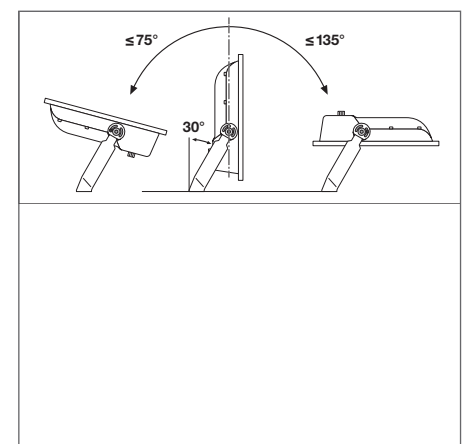
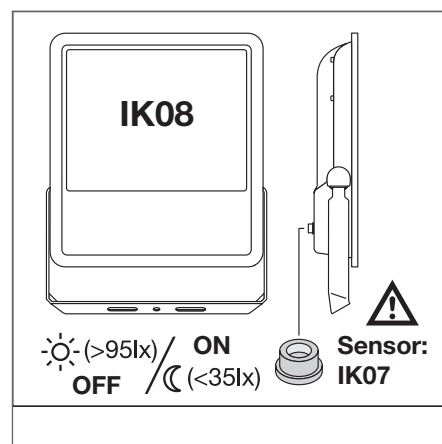
AREAS OF APPLICATION

- Replacement for floodlights with halogen lamps
- Garages
- Public areas
- Building facades
- Construction areas

FURTHER PRODUCT DETAILS



FLOODLIGHT SL 180 W 4000 K IP65 BK



¹ Versions with integrated sensor available | ² Refer to www.ledvance.com/guarantee for precise conditions

The pictures shown in the catalog are for illustration purposes only. For information on size and color, please refer to the product table.

Product name	Segmentation	GTIN (EAN)	RE-PLACE-MENT FOR	W	lm	lm/W	K	L70	L80	°
FLOODLIGHT SL 70 W 4000 K IP65 BK	■	4058075251335	500W HAL	70	7700	110	4000	50000	30000	100 ° x 100 °
FLOODLIGHT SL 90 W 4000 K IP65 BK	■	4058075216778	750W HAL	90	10000	110	4000	50000	30000	100 ° x 100 °
FLOODLIGHT SL 135 W 4000 K IP65 BK	■	4058075216785	1000W HAL	135	15000	110	4000	50000	30000	100 ° x 100 °
FLOODLIGHT SL 180 W 4000 K IP65 BK	■	4058075216792	1500W HAL	180	20000	110	4000	50000	30000	100 ° x 100 °



Product name	CRI	IK	g	CABLE LENGTH	L x W x H [mm] Ø x H [mm]
FLOODLIGHT SL 70 W 4000 K IP65 BK	≥80	IK08	2600	1000	250 x 240 x 78
FLOODLIGHT SL 90 W 4000 K IP65 BK	≥80	IK08	2600	1000	250 x 240 x 78
FLOODLIGHT SL 135 W 4000 K IP65 BK	≥80	IK08	3900	1000	300 x 270 x 76
FLOODLIGHT SL 180 W 4000 K IP65 BK	≥80	IK08	4900	1000	340 x 310 x 81

SENSOR PROPERTIES

Product name	Type of sensor	Sensor technology	Detection threshold of daylight sensor
FLOODLIGHT PHOTOCELL SENSOR 70	Light	Photocell	35...95 lx
FLOODLIGHT PHOTOCELL SENSOR 90	Light	Photocell	35...95 lx
FLOODLIGHT PHOTOCELL SENSOR 135	Light	Photocell	35...95 lx
FLOODLIGHT PHOTOCELL SENSOR 180	Light	Photocell	35...95 lx

¹ t [h]: L70/B50 @ 25 °C (Ta) / t [h]: L80/B10 @ 25 °C (Ta)

FLOODLIGHT VALUE

Floodlight



PRODUCT FEATURES

- Luminaire efficacy: up to 90 lm/W
- Symmetrical beam angle: 110° x 110°
- Mounting bracket for up to 180° tilting
- Type of protection: IP65
- Impact resistance: IK06 (10 W to 50 W), IK08 (from 100 W)

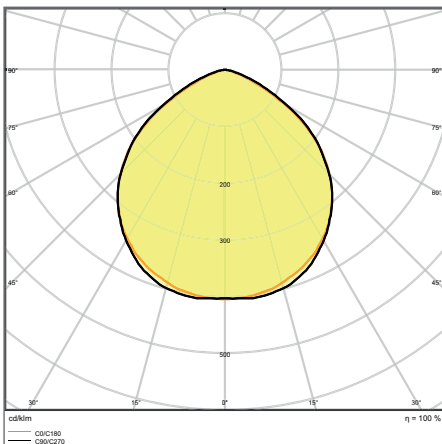
PRODUCT BENEFITS

- Energy savings of up to 80 % compared to halogen lamp floodlights
- Semi-matt surface with great look and feel
- Quick and simple installation thanks to low profile, compact and light weight design
- 3 years guarantee

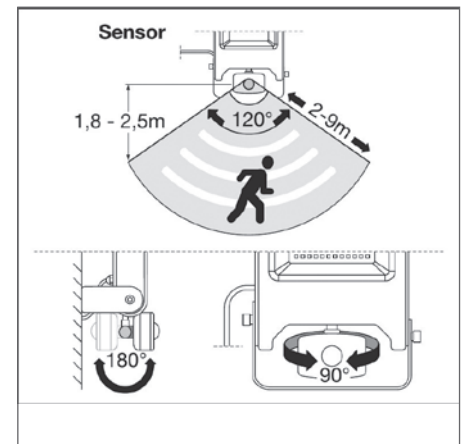
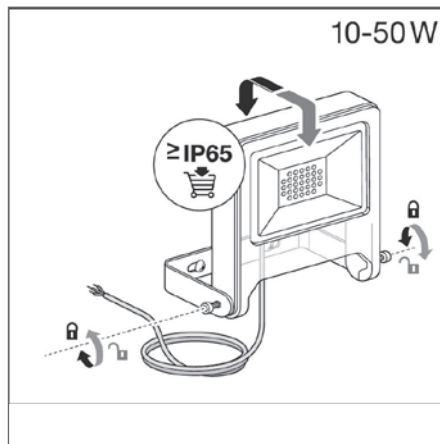
AREAS OF APPLICATION

- Replacement for floodlights with halogen lamps
- Car parks and underpasses
- Public areas
- Building facades
- Construction areas

FURTHER PRODUCT DETAILS



FLOODLIGHT VALUE 100 W 4000 K IP65 BK



¹ Refer to www.ledvance.com/guarantee for precise conditions | ² Versions with integrated sensor available

The pictures shown in the catalog are for illustration purposes only. For information on size and color, please refer to the product table.

FLOODLIGHT VALUE

Floodlight

Product name	Segmentation	GTIN (EAN)	RE-PLACEMENT FOR	W	lm	lm/W	K	L70 ¹	°
FLOODLIGHT VALUE 10 W 4000 K IP65 BK	■	4058075268586	80W HAL	10	800	80	4000	30000	110 ° x 110 °
FLOODLIGHT VALUE 20 W 4000 K IP65 BK	■	4058075268609	160W HAL	20	1700	85	4000	30000	110 ° x 110 °
FLOODLIGHT VALUE 30 W 4000 K IP65 BK	■	4058075268623	250W HAL	30	2700	90	4000	30000	110 ° x 110 °
FLOODLIGHT VALUE 50 W 4000 K IP65 BK	■	4058075268647	400W HAL	50	4500	90	4000	30000	110 ° x 110 °
FLOODLIGHT VALUE 100 W 4000 K IP65 BK	■	4058075268661	750W HAL	100	9000	88	4000	30000	110 ° x 110 °



Product name	CRI	IP	IK	g	CABLE LENGTH	L x W x H [mm] Ø x H [mm]
FLOODLIGHT VALUE 10 W 4000 K IP65 BK	≥80	IP65	IK06	280	500	108x93x33
FLOODLIGHT VALUE 20 W 4000 K IP65 BK	≥80	IP65	IK06	360	500	137x118x34
FLOODLIGHT VALUE 30 W 4000 K IP65 BK	≥80	IP65	IK06	650	500	175x153x39
FLOODLIGHT VALUE 50 W 4000 K IP65 BK	≥80	IP65	IK06	1050	500	295x270x70
FLOODLIGHT VALUE 100 W 4000 K IP65 BK	≥80	IP65	IK08	3500	1000	223x191x43

FLOODLIGHT VALUE SENSOR

Floodlight with motion and daylight sensor

Product name	Segmentation	GTIN (EAN)	RE-PLACEMENT FOR	W	lm	lm/W	K	L70 ¹	°
FLOODLIGHT VALUE Sensor 10 W 4000 K IP44 BK	■	4058075268685	80W HAL	10	800	80	4000	30000	110 ° x 110 °
FLOODLIGHT VALUE Sensor 20 W 4000 K IP44 BK	■	4058075268708	160W HAL	20	1700	85	4000	30000	110 ° x 110 °
FLOODLIGHT VALUE Sensor 30 W 4000 K IP44 BK	■	4058075268722	250W HAL	30	2700	90	4000	30000	110 ° x 110 °
FLOODLIGHT VALUE Sensor 50 W 4000 K IP44 BK	■	4058075268746	400W HAL	50	4500	90	4000	30000	110 ° x 110 °



Product name	CRI	IP	IK	g	CABLE LENGTH	L x W x H [mm] Ø x H [mm]
FLOODLIGHT VALUE Sensor 10 W 4000 K IP44 BK	≥80	IP44	IK06	350	500	154x93x63
FLOODLIGHT VALUE Sensor 20 W 4000 K IP44 BK	≥80	IP44	IK06	490	500	178x118x66
FLOODLIGHT VALUE Sensor 30 W 4000 K IP44 BK	≥80	IP44	IK06	720	500	211x153x66
FLOODLIGHT VALUE Sensor 50 W 4000 K IP44 BK	≥80	IP44	IK06	1150	500	253x191x70

SENSOR PROPERTIES

Product name	Type of sensor	Sensor technology	Detection threshold of daylight sensor	Detection range of motion sensor	Sensor detection angle	Sensor controlled switching time
FLOODLIGHT VALUE SENSOR	Motion/Light	Passive infrared (PIR)	10...2000 lx	2...9 m	120 °	10 s...10

¹ t [h]: L70/B50 @ 25 °C (Ta) / t [h]: L80/B10 @ 25 °C (Ta)