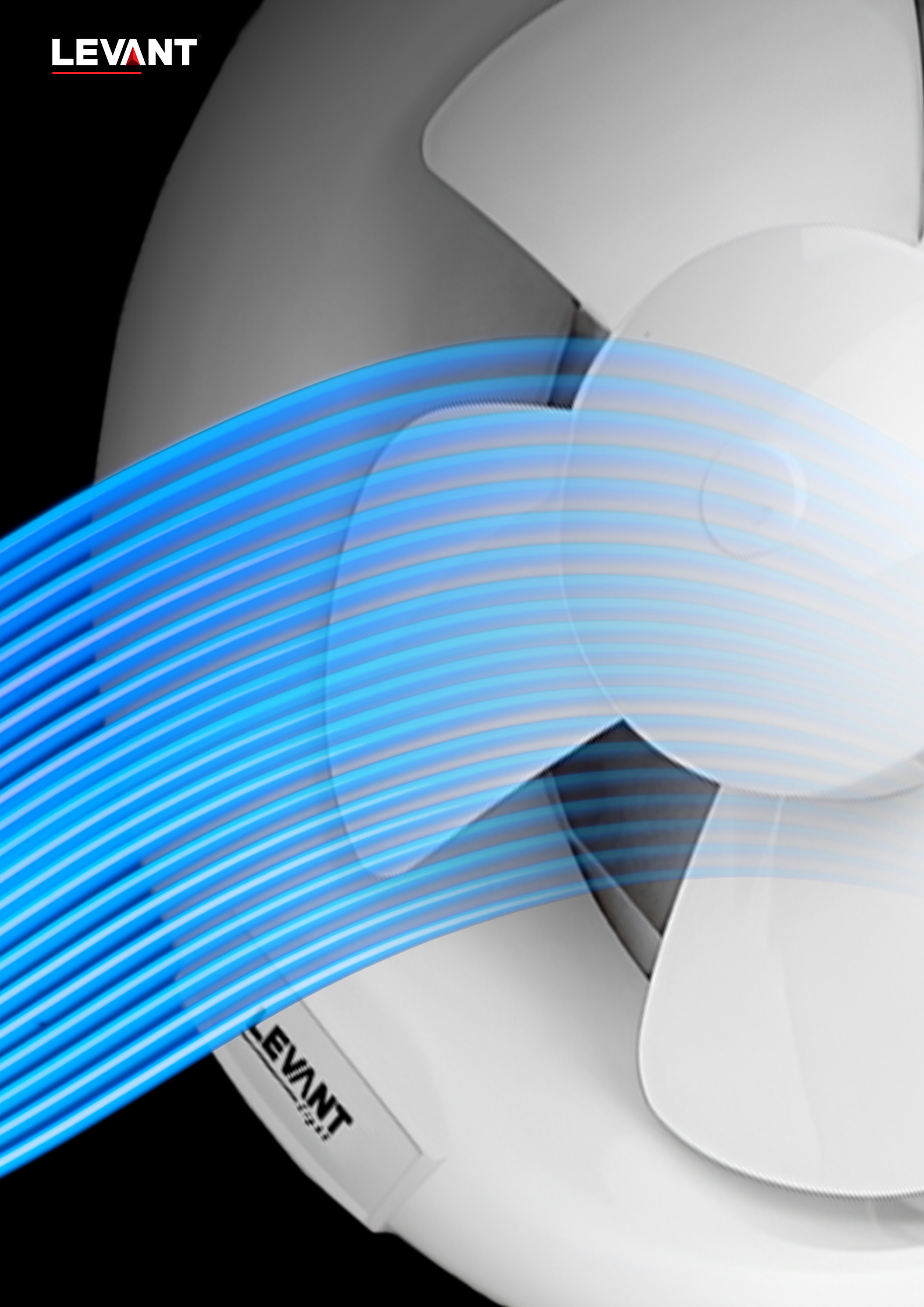
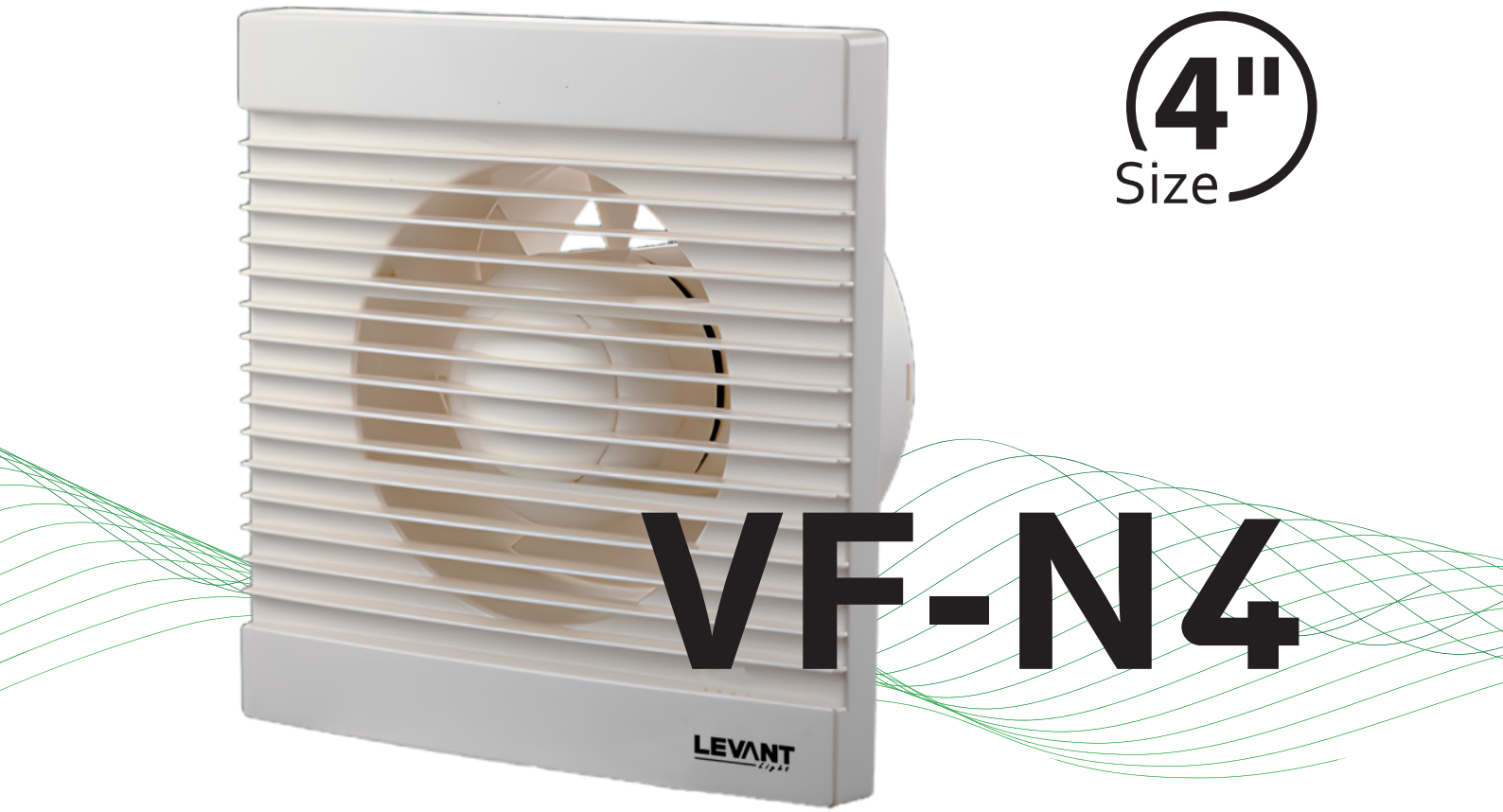


LEVANT



LEVANT



Glass /Wall Mounted Ventilator

General Details 4"

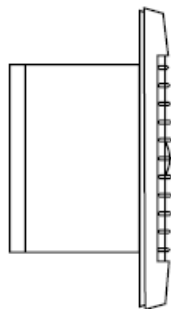
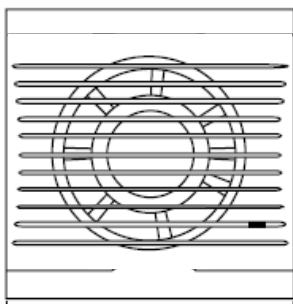
Material	Color	Power Cord	Capacitor	Cut Hole (mm)	N,W. (kg)
Plastic ABS	Milky White	VDE 3pin 0.5mm 0.6meter	x	Φ100	0.48

Motor Details

Winding	Stator	Bearing
%99.9 Pure Copper	Silicon Steel Sheet	Bush

Product Running Test Data

Volt Freq.	Watt	RPM	CMH	Noise db	Rotation	Temp
220V- 240V 50Hz	12W	2400	80 m ³ /h	39	CCW	≤75K





4" 6"
 Size 1 Size 2
TWO SPEED

BF

Turbo Inline Ventilator 2 Speed

General Details BF-415 4"

Material	Color	Power Cord	Capacitor	Cut Hole (mm)	N,W. (kg)
Plastic PP	White	VDE 3pin 0.5mm 0.6meter	1.5µf	Φ100	1.50

General Details BF-640 6"

Material	Color	Power Cord	Capacitor	Cut Hole (mm)	N,W. (kg)
Plastic PP	White	VDE 3pin 0.5mm 0.6meter	2.0µf	Φ150	1.80

Motor Details BF-415 4" BF-640 6"

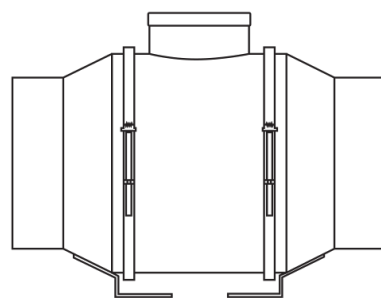
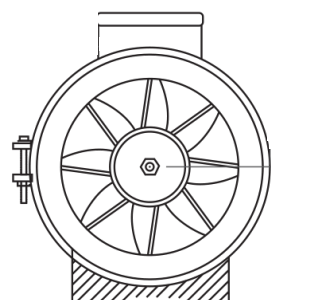
Winding	Stator	Bearing
%99.9 Pure Copper	Silicon Steel Sheet	Ball

Product Running Test Data BF-415 4"

Volt Freq.	Watt	RPM	CMH	Noise db	Rotation	Temp
220V- 240V 50Hz	30W	2200	180 m ³ /h	46	CCW	≤75K
	35W	2500	250 m ³ /h	49		

Product Running Test Data BF-640 6"

Volt Freq.	Watt	RPM	CMH	Noise db	Rotation	Temp
220V- 240V 50Hz	50W	2000	350 m ³ /h	51	CCW	≤75K
	55W	2300	450 m ³ /h	53		





6"
Size

VF-X6C

Glass Mounted Auto Shutter Ventilator

General Details 6"

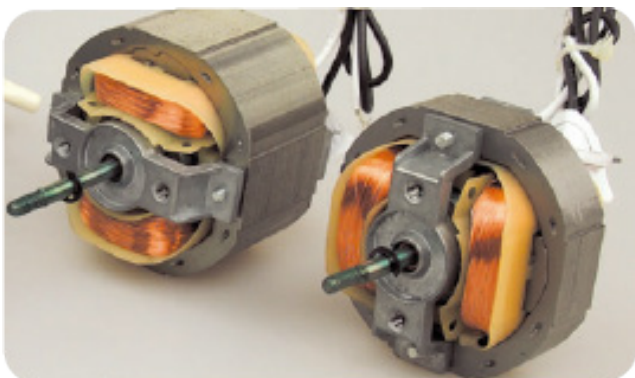
Material	Color	Power Cord	Capacitor	Cut Hole (mm)	N,W. (kg)
Plastic PP	Milky White	VDE 3pin 0.5mm 0.6meter	1.5 μ f	Φ 186	0.68

Motor Details

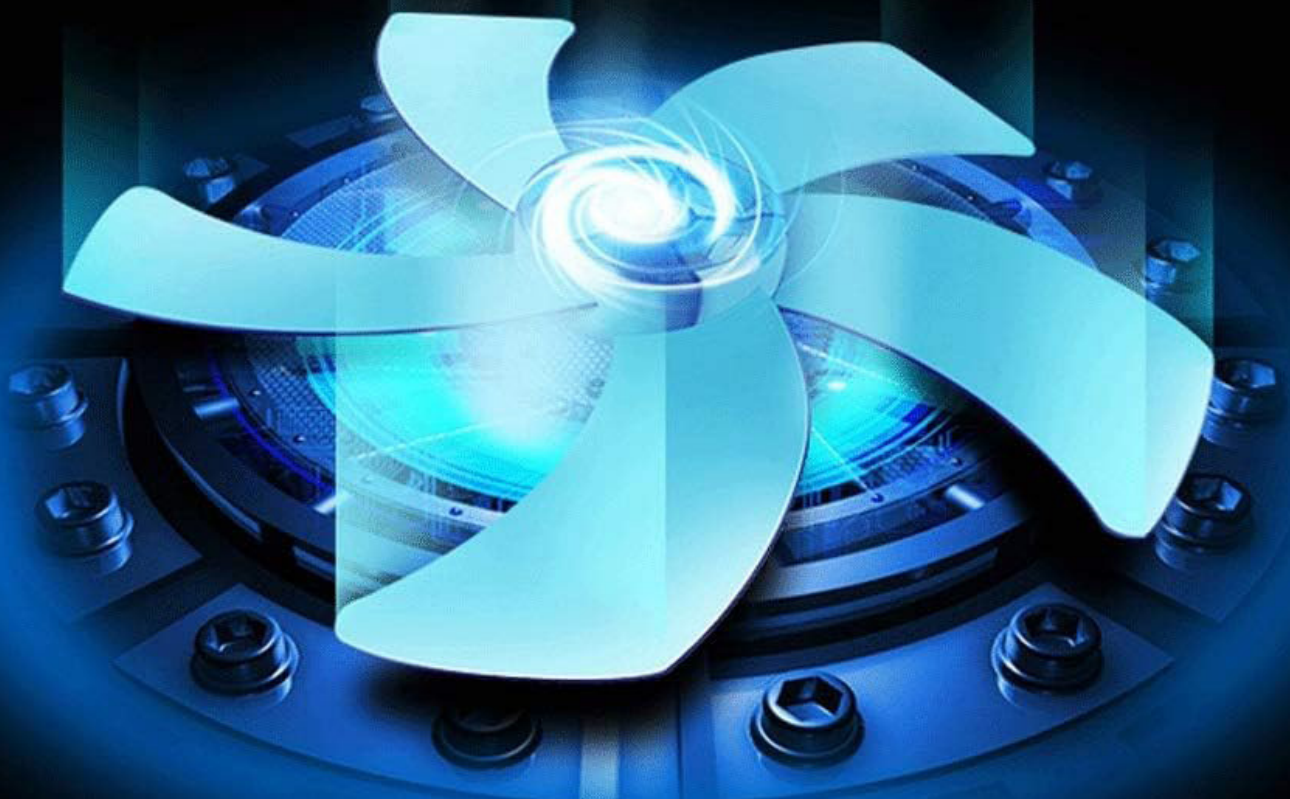
Winding	Stator	Bearing
%99.9 Pure Copper	Silicon Steel Sheet	Ball

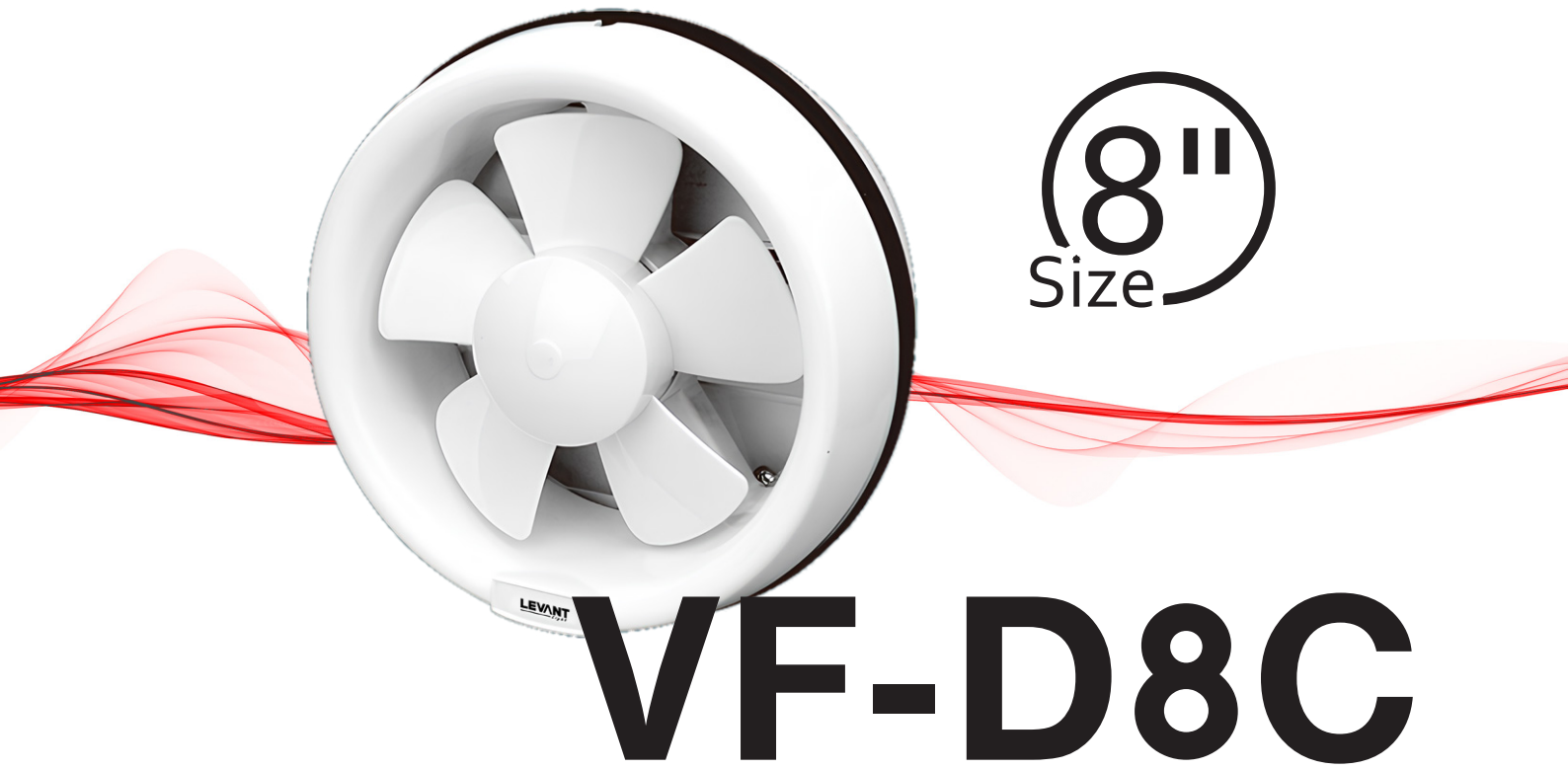
Product Running Test Data

Volt Freq.	Watt	RPM	CMH	Noise db	Rotation	Temp
220V- 240V 50Hz	12W	1850	260 m ³ /h	39	CCW	\leq 75K



LEVANT[®]





VF-D8C

Glass Mounted Auto Shutter Ventilator

General Details 8"

Material	Color	Power Cord	Capacitor	Cut Hole (mm)	N,W. (kg)
Plastic ABS	Milky White	VDE 3pin 0.5mm 0.6meter	1.8μf	Φ243	0.85

Motor Details

Winding	Stator	Bearing
%99.9 Pure Copper	Silicon Steel Sheet	Bush

Product Running Test Data

Volt Freq.	Watt	RPM	CMH	Noise db	Rotation	Temp
220V- 240V 50Hz	15W	1700	420 m ³ /h	42	CCW	≤75K





8" Size 1
 10" Size 2
 12" Size 3

VF-AD

Wall Mounted Auto Shutter Ventilator

General Details		VF-AD8 8"				
Material	Color	Power Cord	Capacitor	Cut Hole (mm)	N,W. (kg)	
Plastic ABS Panel / Iron Housing	Milky White Panel / Grey Housing	VDE 3pin 0.5mm 0.6meter	0.8µf	245*245	1.50	

General Details		VF-AD10 10"				
Material	Color	Power Cord	Capacitor	Cut Hole (mm)	N,W. (kg)	
Plastic ABS Panel / Iron Housing	Milky White Panel / Grey Housing	VDE 3pin 0.5mm 0.6meter	1.0µf	295*295	2.00	

General Details		VF-AD12 12"				
Material	Color	Power Cord	Capacitor	Cut Hole (mm)	N,W. (kg)	
Plastic ABS Panel / Iron Housing	Milky White Panel / Grey Housing	VDE 3pin 0.5mm 0.6meter	1.2µf	345*345	2.45	

Motor Details			VF-AD8 8" - VF-AD10 10" - VF-AD12 12"			
Winding	Stator	Bearing				
%99.9 Pure Copper	Silicon Steel Sheet	Bush				

Product Running Test Data VF-AD8 8"						
Volt Freq.	Watt	RPM	CMH	Noise db	Rotation	Temp
220V- 240V 50Hz	32W	1200	760 m³/h	45	CCW	≤75K

Product Running Test Data VF-AD10 10"						
Volt Freq.	Watt	RPM	CMH	Noise db	Rotation	Temp
220V- 240V 50Hz	38W	1050	960 m³/h	48	CCW	≤75K

Product Running Test Data VF-AD12 12"						
Volt Freq.	Watt	RPM	CMH	Noise db	Rotation	Temp
220V- 240V 50Hz	30W 35W	2000 2500	180 m³/h 250 m³/h	46 49	CCW	≤75K

Quiet and Large Air Volume



Full copper
motor



Thin
body



Low Noise



Energy
Saving



LEVANT



LEVANT
Light