

LEDVANCE® Streetlight Value



The LEDVANCE® Streetlight Value is a robust and reliable LED product. The range consists three size housing for different wattage, with tool free maintenance, dust-free and cost effective design. High grade aluminum housing ensures reliable operation. Tempered glass cover (Secondary Optics) protects product from high temperature environment. Professional lighting distribution provides uniformity and less glare lighting. Lamppost adaptor can be adjusted makes it flexible in use. Good quality high power LED help to achieve high system efficacy and good reliability. The luminaire is an ideal solution for roads applications.

Product Features & Benefits

- Tool free maintenance thanks to advanced clips design
- Available in 60W, 90W, 120W, 150W, 180W and 210W
- System efficacy up to 120lm/W leads to energy saving
- Ultra-white tempered glass provide high light transmittance
- Tempered glass cover (Secondary Optics) protect product from high temperature environment
- Professional lighting distribution provides uniformity and less glare lighting
- Dust-free and easy cleaning design of the surface of housing
- High grade aluminum housing ensures reliable operation
- Module assembly concept of PCB leads to more convenient for maintenance
- Tilt setting, lamppost adaptor can be adjusted from $-10^{\circ}\sim+10^{\circ}$ (60W), $-10^{\circ}\sim+15^{\circ}$ (90W-120W), and from $-15^{\circ}\sim+15^{\circ}$ (150W-210W)
- Surge protection rated up to 10 KV (L-N)
- IP66, IK08

Application Areas:

- Roads
- Street
- Highways
- Parking



General Specifications

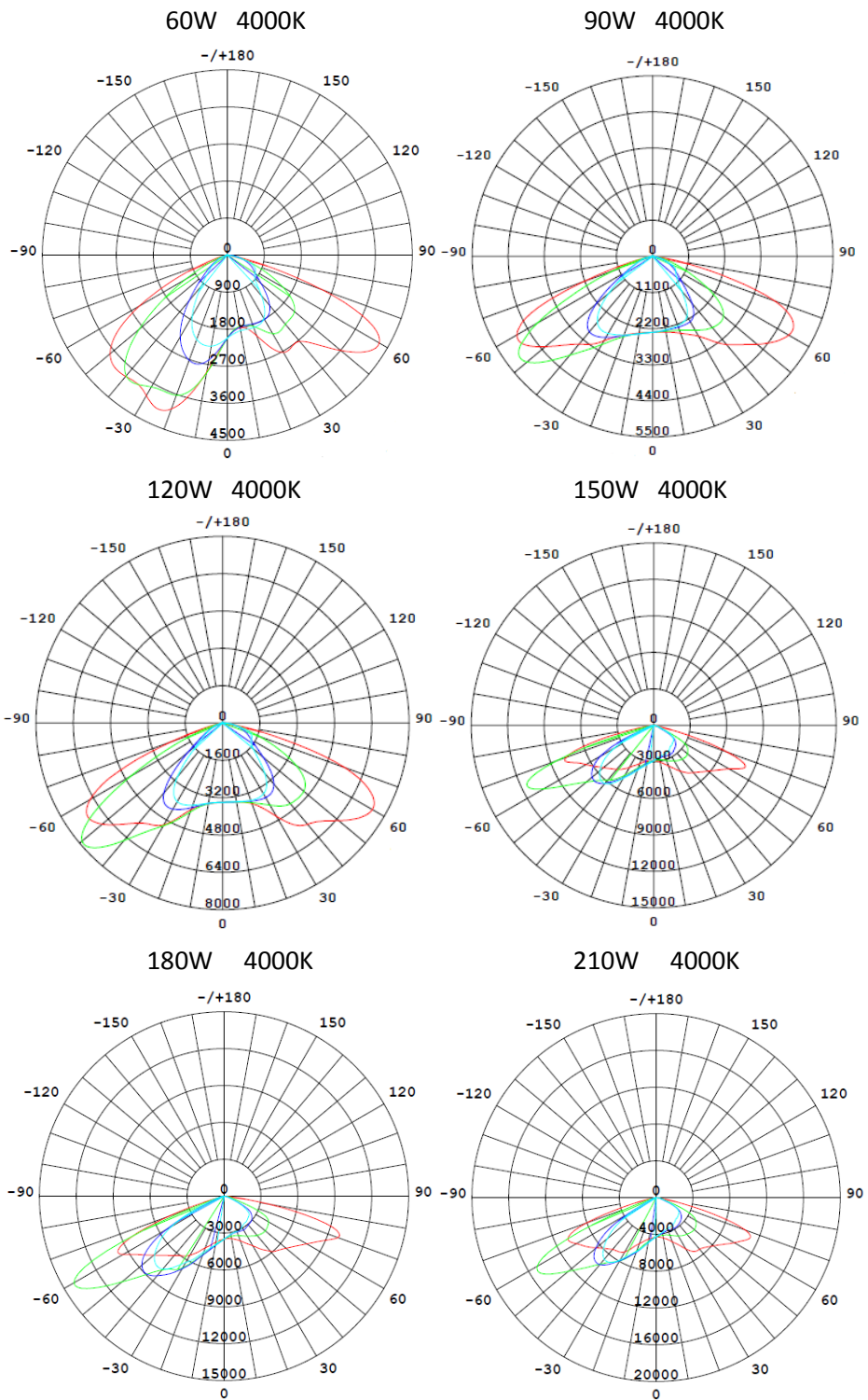
LEDVANCE [®] Streetlight Value		60W	90W	120W	150W	180W	210W	
Electrical	Wattage (W)	60	90	120	150	180	210	
	Voltage range	220 - 240VAC, 50/60Hz						
	Power factor	>0.95						
	Surge protection	10KV (L-N)						
	Protection class	Class I						
Optical	Rated lumens (lm)	7200	10800	14400	18000	21600	25200	
	CCT (K)	3000/4000/6500						
	CRI	>70						
	SDCM	<5						
	System efficacy	120 lm/W						
	Beam angle	90°x150°			50°x150°			
Mechanical	Size (LxWxH mm)	S	M	M	L	L	L	
	Weight (g)	2700	6000	6200	8500	8700	9000	
	Housing material	Die cast aluminium						
	Optics/ lens	UV stabilized PC						
	Secondary optics	Tempered glass cover						
	Mounting type	Side entry			Side entry/ Post top			
	Mounting pole	Φ60mm			Φ55-60mm			
	Tilt setting	-10°~+10°	-10°~+15°		-15°~+15°			
	Ingress protection	IP66						
	IK Rating	IK08						
Others	Rated lifetime	50,000 hrs @ L70 (Ta=50°C)						
	Operating temperature	-30 - +50°C						
	Storage temperature	-40 - +70°C						

Ordering Codes:

Description	Model Number on Product Label	Shipping quantity	EAN40
STREETLIGHT VALUE S 60W/3000K VS1 LEDV	LDV-STLV-S-AM	1pc	4058075103184
STREETLIGHT VALUE S 60W/4000K VS1 LEDV	LDV-STLV-S-AM	1pc	4058075103214
STREETLIGHT VALUE S 60W/6500K VS1 LEDV	LDV-STLV-S-AM	1pc	4058075103238
STREETLIGHT VALUE M 90W/3000K VS1 LEDV	LDV-STLV-M-AM	1pc	4058075103245
STREETLIGHT VALUE M 90W/4000K VS1 LEDV	LDV-STLV-M-AM	1pc	4058075103252
STREETLIGHT VALUE M 90W/6500K VS1 LEDV	LDV-STLV-M-AM	1pc	4058075103276
STREETLIGHT VALUE M 120W/3000K VS1 LEDV	LDV-STLV-MHO-AM	1pc	4058075103283
STREETLIGHT VALUE M 120W/4000K VS1 LEDV	LDV-STLV-MHO-AM	1pc	4058075103290
STREETLIGHT VALUE M 120W/6500K VS1 LEDV	LDV-STLV-MHO-AM	1pc	4058075103313
STREETLIGHT VALUE L 150W/3000K VS1 LEDV	LDV-STLV-LLO-AM	1pc	4058075103320
STREETLIGHT VALUE L 150W/4000K VS1 LEDV	LDV-STLV-LLO-AM	1pc	4058075103337
STREETLIGHT VALUE L 150W/6500K VS1 LEDV	LDV-STLV-LLO-AM	1pc	4058075103351
STREETLIGHT VALUE L 180W/3000K VS1 LEDV	LDV-STLV-L-AM	1pc	4058075103368
STREETLIGHT VALUE L 180W/4000K VS1 LEDV	LDV-STLV-L-AM	1pc	4058075103375
STREETLIGHT VALUE L 180W/6500K VS1 LEDV	LDV-STLV-L-AM	1pc	4058075103191
STREETLIGHT VALUE L 210W/3000K VS1 LEDV	LDV-STLV-LHO-AM	1pc	4058075103399
STREETLIGHT VALUE L 210W/4000K VS1 LEDV	LDV-STLV-LHO-AM	1pc	4058075103405
STREETLIGHT VALUE L 210W/6500K VS1 LEDV	LDV-STLV-LHO-AM	1pc	4058075103429

Remarks: other CCT can be provided as request.

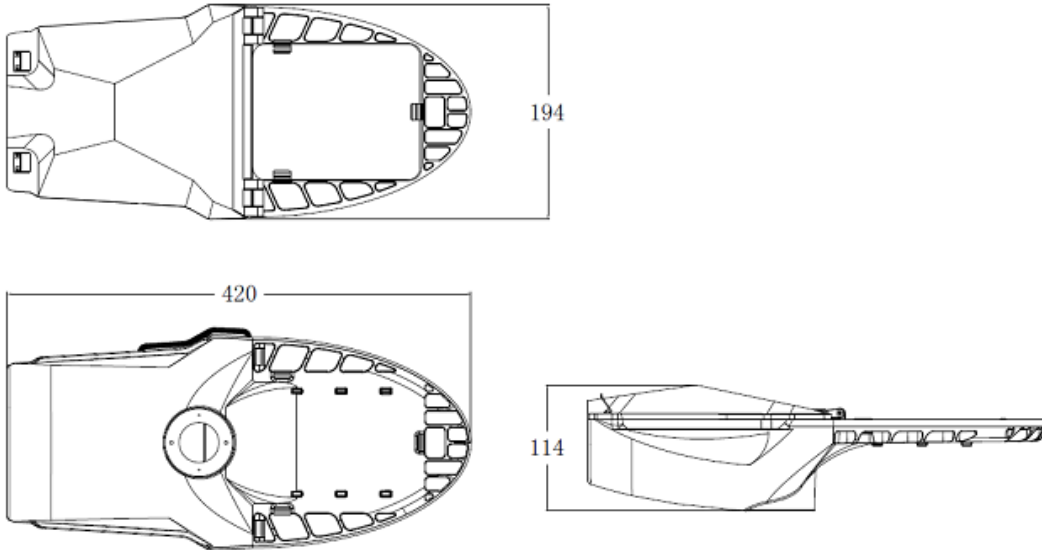
Polar intensity diagram:



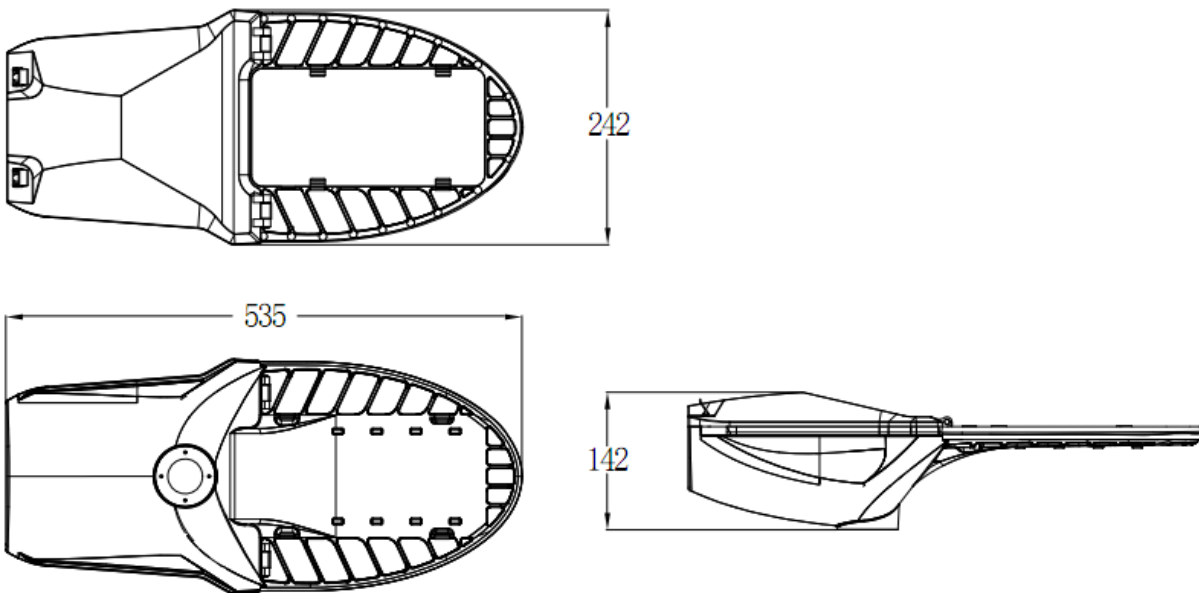
Unit: cd

Drawing/Dimensions:

Streetlight Value S 60W



Streetlight Value M 90W, 120W



Streetlight Value L 150W, 180W, 210W

