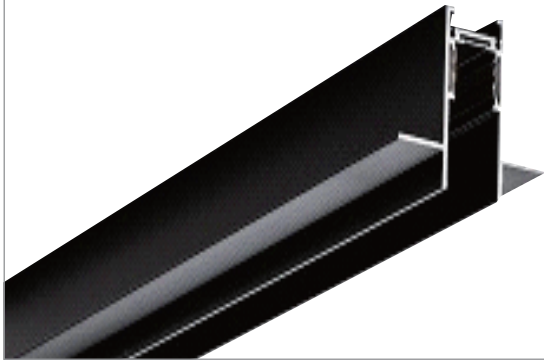




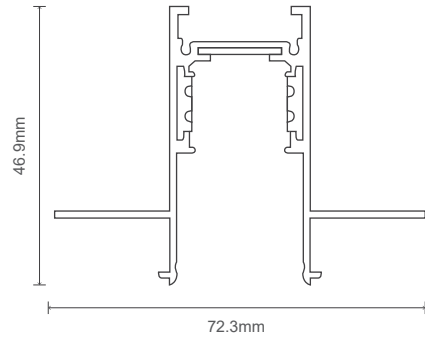
MAGNETIC TRACK SYSTEM

The Magnetic Track System is a low voltage, multi-purpose system with various lighting solutions, including, Spot Lights, Track Lights, Pendant Lights and Linear Lights. It can be installed both vertically and horizontally; recessed, surfaced and hanging.

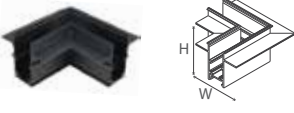


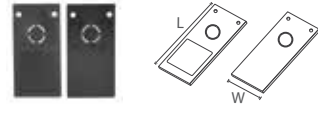
Recessed Track



DU-MG-TR-RM



Accessories

 <p>DU-TR-RM-CC Corner Connector (W) 72.3mm x (H) 46.9mm</p>	 <p>DU-TR-RM-WC Wall to Ceiling Corner Connector (W) 72.3mm x (H) 46.9mm</p>	 <p>DU-TR-RM-TC T Connector (W) 72.3mm x (H) 46.9mm</p>	 <p>DU-TR-RM-EC End Cap (L) 52.1mm x (W) 27.5mm</p>
--	--	--	---

Connectors

 <p>DU-TR-RM-C01 Mechanical Connector</p>	 <p>DU-TR-RM-E00 Electrical Power Connector (L) 125mm x (W) 16.3mm x (H) 18.2mm</p>	 <p>DU-TR-RM-E01 Electrical Joint Connector (L) 138mm x (W) 16mm x (H) 17.8mm</p>	 <p>DU-TR-RM-E02 Electrical Joint Corner Connector (L) 125mm x (W) 16.3mm x (H) 18.2mm</p>	 <p>DU-TR-RM-E03 Electrical Multiple Joint Connector (L) 125mm x (W) 16.3mm x (H) 18.2mm</p>
---	---	---	---	--

Installation

1 Cut off 30mm

2

3

4

5

6

7

8

9

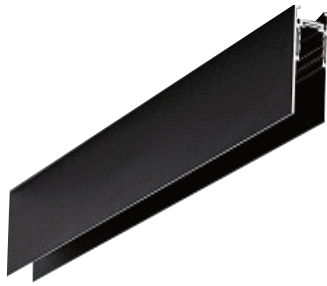
10

11

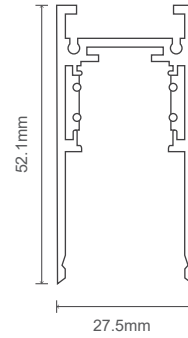
12

OFF ON

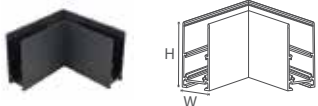



Surface Track



DU-MG-TR-SM



Accessories

 <p>DU-TR-SM-CC Corner Connector (W) 27.5mm x (H) 52.1mm</p>	 <p>DU-TR-SM-WC Wall to Ceiling Corner Connector (W) 27.5mm x (H) 52.1mm</p>	 <p>DU-TR-SM-EC Endcap (L) 46.9mm x (W) 27.5mm</p>	 <p>DU-TR-SM-PK Pendant Kit</p>
---	--	---	---

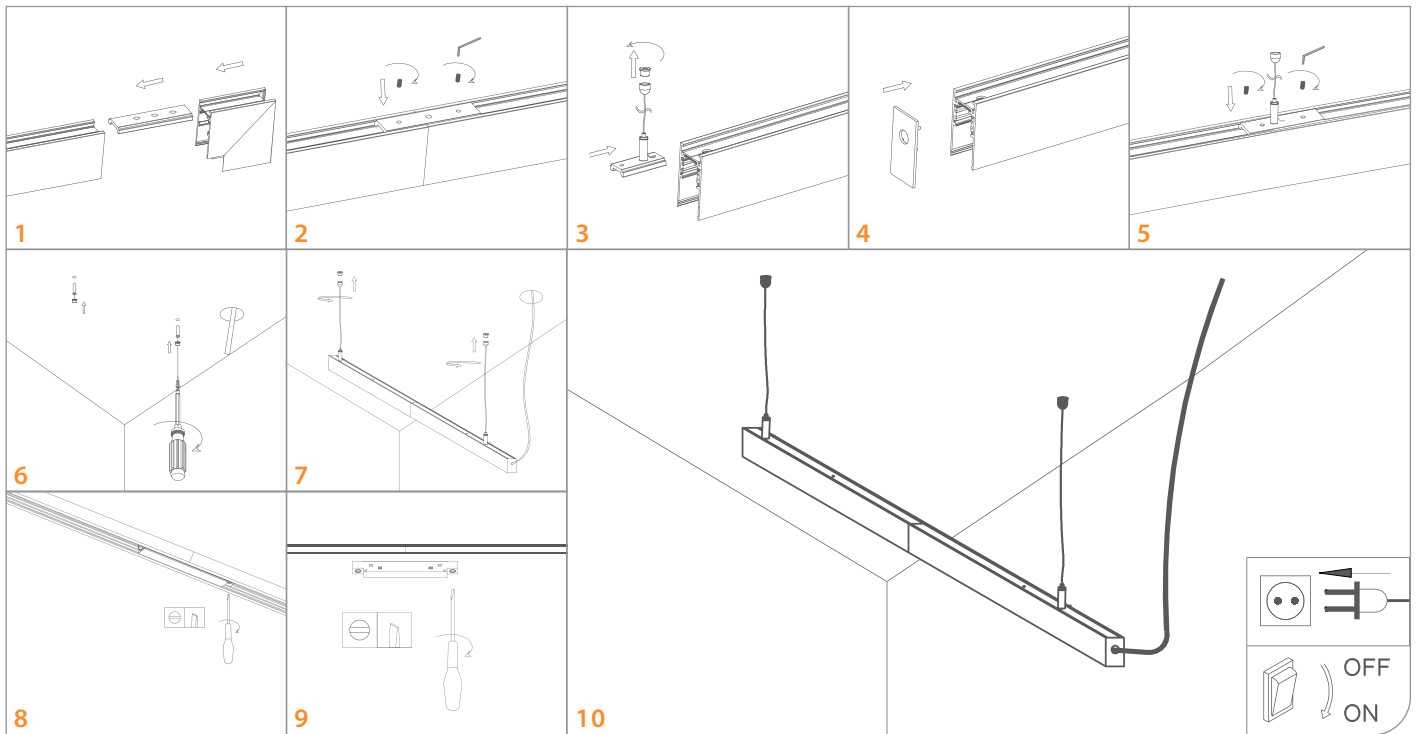
Connectors

 <p>DU-TR-SM-C01 Mechanical Connector</p>	 <p>DU-TR-SM-E00 Electrical Power Connector (L) 125mm x (W) 16.3mm x (H) 18.2mm</p>	 <p>DU-TR-SM-E01 Electrical Joint Connector (L) 138mm x (W) 16mm x (H) 17.8mm</p>	 <p>DU-TR-SM-E02 Electrical Joint Corner Connector (L) 125mm x (W) 16.3mm x (H) 18.2mm</p>	 <p>DU-TR-SM-E03 Electrical Multiple Joint Connector (L) 125mm x (W) 16.3mm x (H) 18.2mm</p>
---	---	---	---	--

Surface Installation

1. Insert the track into the mounting bracket.
2. Tighten the screws to secure the track.
3. Attach the end cap to the track.
4. Connect the power cable to the track.
5. Connect the power cable to the track.
6. Connect the power cable to the track.
7. Connect the power cable to the track.
8. Connect the power cable to the track.

Pendant Installation



Magnetic LED driver



DuLight Magnetic LED driver has integrated power, silence and worry-free on complicated locks. The installation process is fast and easy.

Product Features

- Safe and durable
- Material: Die-cast aluminum
- IP Rating: IP20
- Life Span: 50,000 hours
- Finish : Black



Technical Specifications

Model	Power	Input	Length	Width	Height
DU-DR-MG-100	100W	220-240V	230mm	20mm	50mm
DU-DR-MG-200	200W	220-240V	300mm	20mm	50mm



Model	Power [W]	Luminous Flux (lm)	Dimension [LxWxH]
DU-MG-LN-10W-300	10W	900 lm	300 x 22 x 25mm
DU-MG-LN-15W-450	15W	1350 lm	450 x 22 x 25mm
DU-MG-LN-20W-600	20W	1800 lm	600 x 22 x 25mm
DU-MG-LN-30W-900	30W	2700 lm	900 x 22 x 25mm

Magnetic LED Linear Light

Magnetic LED Linear Light uses SMD LEDs for indoor applications. Housing is made of Die-cast aluminum material.

Product Features

- SMD LEDs
- Installation: Track Mounted
- Material: Die-cast aluminum
- IP Rating: IP20
- Life Span: 50,000 hours

<p>90lm/W Luminous Efficacy</p>	<p>OPTIONAL</p>	<p>OPTIONAL</p>
<p>48VDC Input</p>	<p>100° Beam Angle</p>	<p>3000K 4000K 6500K CCT</p>



Model	Power [W]	Luminous Flux (lm)	Dimension [LxWxH]
DU-MG-SP-6W-112	6W	540 lm	112 x 22 x 25mm
DU-MG-SP-12W-220	12W	1080 lm	220 x 22 x 25mm
DU-MG-SP-18W-330	18W	1620 lm	330 x 22 x 25mm
DU-MG-SP-24W-440	24W	2160 lm	440 x 22 x 25mm

Magnetic LED Spot Light

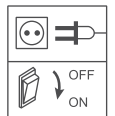
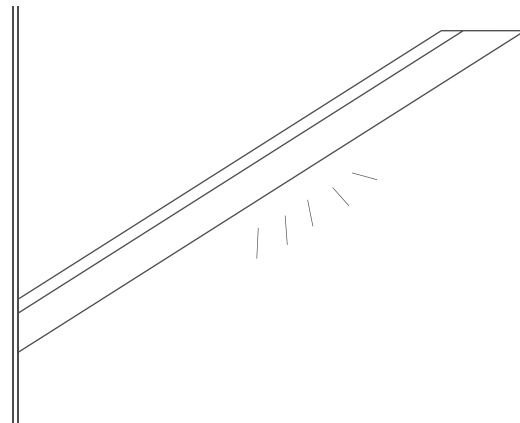
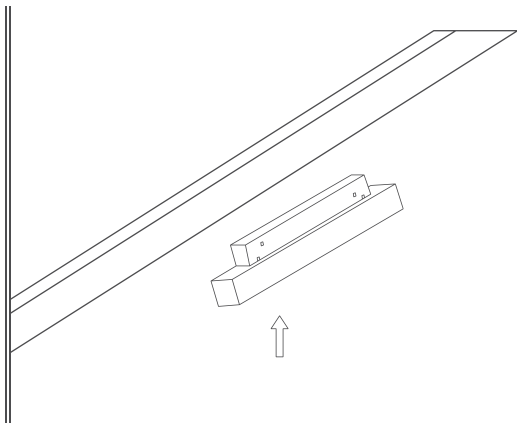
Magnetic LED Spot Light uses SMD LEDs for indoor applications. Housing is made of Die-cast aluminum material.

Product Features

- SMD LEDs
- Installation: Track Mounted
- Material: Die-cast aluminum
- IP Rating: IP20
- Life Span: 50,000 hours

<p>90lm/W Luminous Efficacy</p>	<p>OPTIONAL</p>	<p>OPTIONAL</p>
<p>48VDC Input</p>	<p>24°/40° Beam Angle</p>	<p>3000K 4000K 6500K CCT</p>

Installation



Model	Power [W]	Luminous Flux (lm)	Dimension [D x H]
DU-MG-PN-6W	6W	540 lm	Ø30 x 300mm
DU-MG-PN-10W	10W	900 lm	Ø40 x 300mm

Magnetic LED Pendant Light

Magnetic LED Pendant Light uses COB LED for indoor applications. Housing is made of Die-cast aluminum material.

Product Features

- COB LED
- Installation: Track Mounted
- Material: Die-cast aluminum
- IP Rating: IP20
- Life Span: 50,000 hours

<p>90lm/W Luminous Efficacy</p>	<p>OPTIONAL</p>	<p>OPTIONAL</p>
<p>48VDC Input</p>	<p>15°/24°/36° Beam Angle</p>	<p>3000K 4000K 6500K CCT</p>



Model	Power [W]	Luminous Flux (lm)	Dimension [LxWxH]
DU-MG-SPAJ-6W-112	6W	540 lm	112 x 22 x 110mm
DU-MG-SPAJ-12W-220	12W	1080 lm	220 x 22 x 110mm

Magnetic Adjustable LED Spot Light

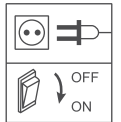
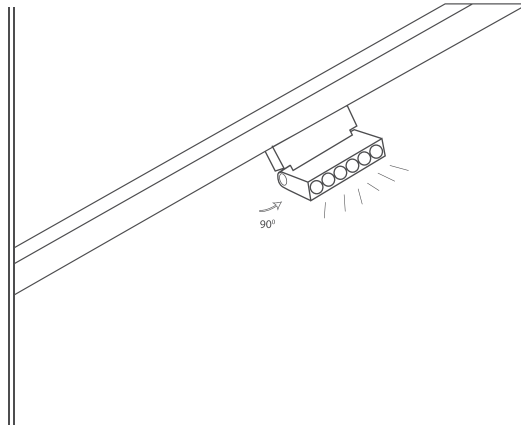
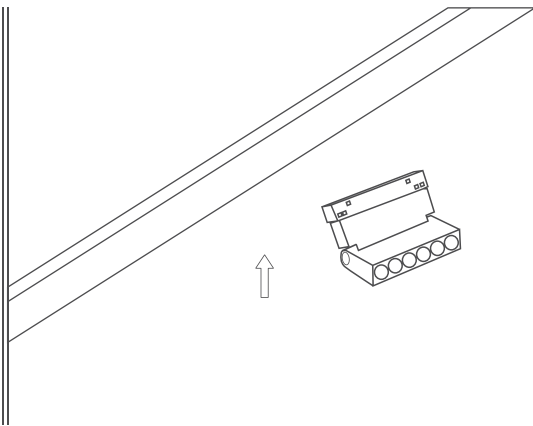
Magnetic Adjustable LED Spot Light uses SMD LEDs for indoor applications. Housing is made of Die-cast aluminum material.

Product Features

- SMD LEDs
- Installation: Track Mounted
- Material: Die-cast aluminum
- IP Rating: IP20
- Life Span: 50,000 hours

 90lm/W Luminous Efficacy	 OPTIONAL	 OPTIONAL
 48VDC Input	 24°/40° Beam Angle	 3000K 4000K 6500K CCT

Installation



Model	Power [W]	Luminous Flux (lm)	Dimension [LxWxH]
DU-MG-LNSP-6W-120	6W	540 lm	120 x 22 x 60mm
DU-MG-LNSP-12W-220	12W	1080 lm	220 x 22 x 60mm
DU-MG-LNSP-18W-320	18W	1620 lm	320 x 22 x 60mm

Magnetic Linear LED Spot Light

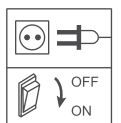
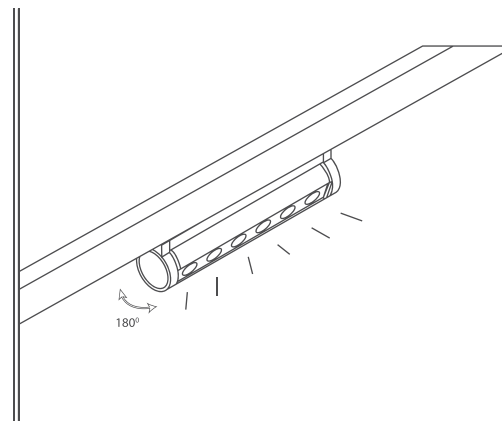
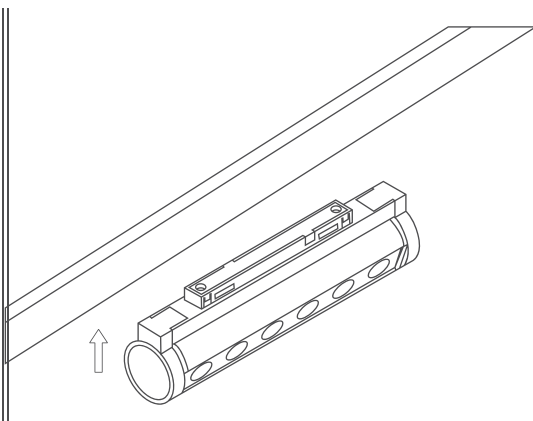
Magnetic Linear LED Spot Light uses SMD LEDs for indoor applications. Housing is made of Die-cast aluminum material.

Product Features

- SMD LEDs
- Installation: Track Mounted
- Material: Die-cast aluminum
- IP Rating: IP20
- Life Span: 50,000 hours

 90lm/W Luminous Efficacy	 OPTIONAL	 OPTIONAL
 48VDC Input	 24°/40° Beam Angle	 3000K 4000K 6500K CCT

Installation





Model	Power [W]	Luminous Flux (lm)	Dimension [Diameter]
DU-MG-TR-7W	7W	630 lm	Ø35mm
DU-MG-TR-12W	12W	1080 lm	Ø45mm
DU-MG-TR-18W	18W	1620 lm	Ø60mm
DU-MG-TR-24W	24W	2160 lm	Ø80mm

Magnetic LED Track Light

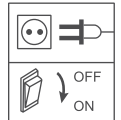
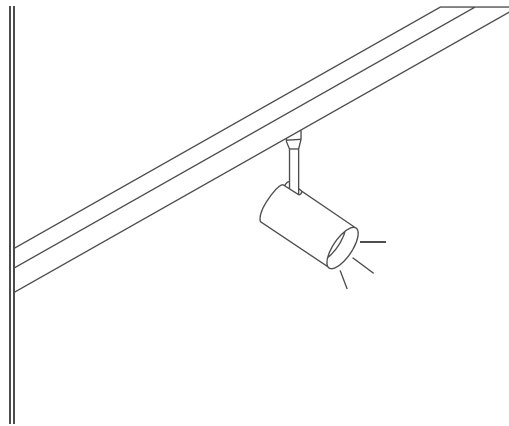
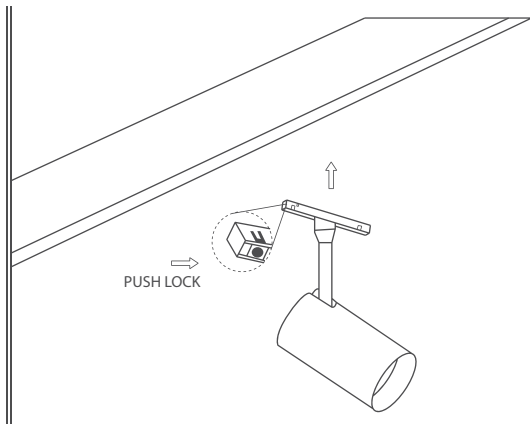
Magnetic LED Track Light uses COB LED for indoor applications. Housing is made of Die-cast aluminum material.

Product Features

- COB LED
- Installation: Track Mounted
- Material: Die-cast aluminum
- IP Rating: IP20
- Life Span: 50,000 hours

 90lm/W Luminous Efficacy	 OPTIONAL	 OPTIONAL
 48VDC Input	 15°/24°/36° Beam Angle	 3000K 4000K 6500K CCT

Installation



Model	Power [W]	Luminous Flux (lm)	Dimension [Diameter]
DU-MG-PNDeco-7W-201	7W	630 lm	Ø80mm
DU-MG-PNDeco-7W-202	7W	630 lm	Ø105mm
DU-MG-PNDeco-7W-301	7W	630 lm	Ø60mm
DU-MG-PNDeco-7W-401	7W	630 lm	Ø300mm

Magnetic Decorative LED Pendant Light

Magnetic Decorative LED Pendant Light uses COB LED for indoor applications. Housing is made of Die-cast aluminum material.

Product Features

- COB LED
- Installation: Track Mounted
- Material: Die-cast aluminum
- IP Rating: IP20
- Life Span: 50,000 hours

 90lm/W Luminous Efficacy	 OPTIONAL	 OPTIONAL
 48VDC Input	 15°/24°/36° Beam Angle	 3000K 4000K 6500K CCT

Installation

