

PENDANT AND SURFACE-MOUNTED LUMINAIRES

GOOD LIGHT FOR GOOD RESULTS

PANEL DIRECT/INDIRECT

Page 84

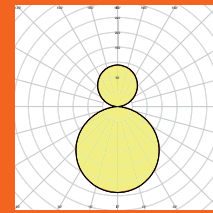
PANEL DIRECT/INDIRECT
PANEL DIRECT/INDIRECT DALI



PERFORMANCE CLASS

ADVANCED PENDANT LUMINAIRE WITH DIRECT AND INDIRECT EMISSION OF LIGHT

- Functional SCALE design luminaire for office applications (driver integrated in the ceiling rose)
- Special directional light design and PMMA diffuser for homogeneous, low-glare lighting (UGR < 19)
- Low-flicker light thanks to special electronic control gear



Light distribution curve (30%/70%)

PANEL 1200 DIRECT/INDIRECT

Exclusive and modern SCALE design pendant luminaire with very good light comfort through direct (70%) and indirect (30%) emission of light.

LINEAR INDIVILED® DIRECT/INDIRECT

Page 86

LINEAR INDIVILED® DIRECT/INDIRECT
LINEAR INDIVILED® DIRECT/INDIRECT SENSOR
LINEAR INDIVILED® DIRECT/INDIRECT EMERGENCY
LINEAR INDIVILED® DIRECT/INDIRECT THROUGH-WIRED
LINEAR INDIVILED® ACCESSORIES FOR PENDANT MOUNTING AND STRIP LIGHTING



PERFORMANCE CLASS

LINEAR INDIVILED® PENDANT LUMINAIRE WITH DIRECT AND INDIRECT EMISSION OF LIGHT

- Luminaire in timeless SCALE design, usable as a single or lighting strip solution
- Versions available with DALI ECG, sensor, emergency lighting or through-wiring
- Increased light comfort with direct and indirect beam characteristic

LINEAR INDIVILED® DIRECT

Page 92

LINEAR INDIVILED® DIRECT
LINEAR INDIVILED® DIRECT SENSOR
LINEAR INDIVILED® DIRECT EMERGENCY
LINEAR INDIVILED® DIRECT THROUGH-WIRED
LINEAR INDIVILED® ACCESSORIES FOR PENDANT MOUNTING AND STRIP LIGHTING



PERFORMANCE CLASS

LINEAR INDIVILED® SURFACE-MOUNTED AND PENDANT LUMINAIRE

- Luminaire in timeless SCALE design, usable as a single or lighting strip solution
- Versions available with DALI ECG, sensor, emergency lighting or through-wiring
- Direct-light, surface-mounted luminaire also usable as pendant (order accessories separately)



PANEL DIRECT/INDIRECT

Suspended edge-lit luminaires for direct and indirect light emission, low glare UGR<19



PRODUCT FEATURES

- Very slim aluminum housing
- Steel cable suspension, length: 1.5 m
- Rectangular (1200 mm x 300 mm) stand-alone luminaires with direct (70 %) and indirect (30 %) light emission
- UGR≤19 according to EN12464-1
- Lifetime (L80/B10): up to 60,000 h (at 25 °C)

PRODUCT BENEFITS

- Functional SCALE design luminaire for office applications (driver integrated in the ceiling rose)
- Special directional light design and PMMA diffuser for homogeneous, low-glare lighting (UGR<19)
- Low flicker light thanks to special electronic control gear
- Comfortable light and high color consistency SDCM ≤3
- 5 years guarantee

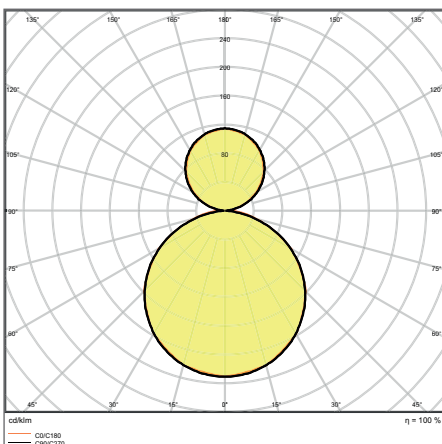
AREAS OF APPLICATION

- Efficient replacement for traditional T8 and T5 luminaires
- Offices
- Meeting rooms
- Conference rooms
- Reception areas and foyers

EQUIPMENT / ACCESSORIES

- Suspension kit included

FURTHER PRODUCT DETAILS



PANEL D/I 1200 UGR<19 36 W 4000 K WT

¹ Refer to www.ledvance.com/guarantee for precise conditions

The pictures shown in the catalog are for illustration purposes only. For information on size and color, please refer to the product table.

Product name		Segmentation	GTIN (EAN)	RE-PLACE-MENT FOR	W	lm	lm/W	K	L70	L80		
NEW	PANEL D/I 1200 UGR<19 36 W 3000 K WT	■	4058075144606	2x58W FL	36	3800	100	3000	80000	60000	110	-
NEW	PANEL D/I 1200 UGR<19 36 W 4000 K WT	■	4058075144620	2x58W FL	36	4000	110	4000	80000	60000	110	-
NEW	PANEL D/I DALI 1200 UGR<19 36 W 3000 K WT	■	4058075144644	2x58W FL	36	3800	100	3000	80000	60000	110	DALI
NEW	PANEL D/I DALI 1200 UGR<19 36 W 4000 K WT	■	4058075144668	2x58W FL	36	4000	110	4000	80000	60000	110	DALI



Product name		CRI	FLICKER VALUE		L x W x H [mm] Ø x H [mm]
NEW	PANEL D/I 1200 UGR<19 36 W 3000 K WT	≥80	<10 %	4325	1200x300x16
NEW	PANEL D/I 1200 UGR<19 36 W 4000 K WT	≥80	<10 %	4325	1200x300x16
NEW	PANEL D/I DALI 1200 UGR<19 36 W 3000 K WT	≥80	<10 %	4325	1200x300x16
NEW	PANEL D/I DALI 1200 UGR<19 36 W 4000 K WT	≥80	<10 %	4325	1200x300x16

¹ t [h]: L70/B50 @ 25 °C (Ta) / t [h]: L80/B10 @ 25 °C (Ta)

LINEAR INDIVILED® DIRECT/INDIRECT

Pendant luminaires with direct and indirect light emission



PRODUCT FEATURES

- Aluminum housing, plastic end caps, white
- Each LED with individual lens and reflector for $UGR \leq 16$ and homogeneous light distribution
- Sensor versions: sensor (HF) or DALI sensor (PIR + daylight); usable only as a single luminaire
- Usable as a single or strip lighting luminaire
- The suspension kit has to be ordered separately as an accessory

PRODUCT BENEFITS

- Luminaire in timeless SCALE design, usable as a single or lighting strip solution
- Versions available with DALI ECG, sensor, emergency lighting or through-wiring
- Increased light comfort thanks to direct and indirect light emission
- Low flicker light thanks to special electronic control gear
- All versions with 5-year guarantee, except emergency version: 3 years (built-in 3h battery)

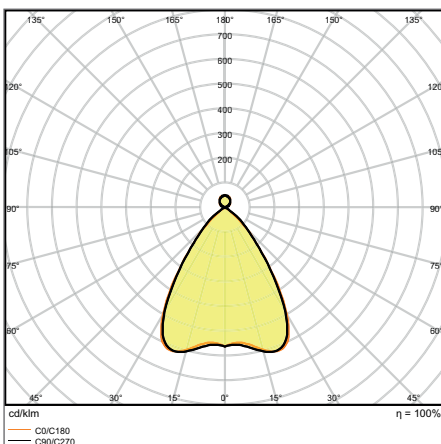
AREAS OF APPLICATION

- Direct replacement for luminaires with fluorescent lamps
- Offices, schools
- General indoor illumination
- Corridors, entrance areas
- Seamless linear lighting

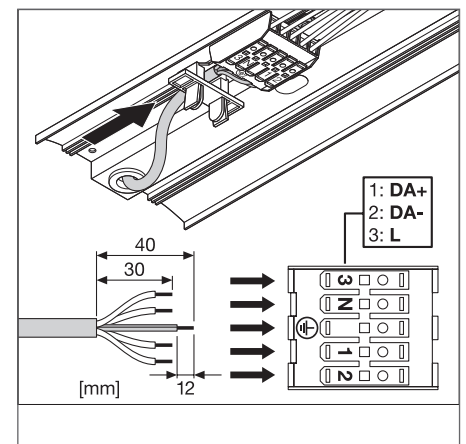
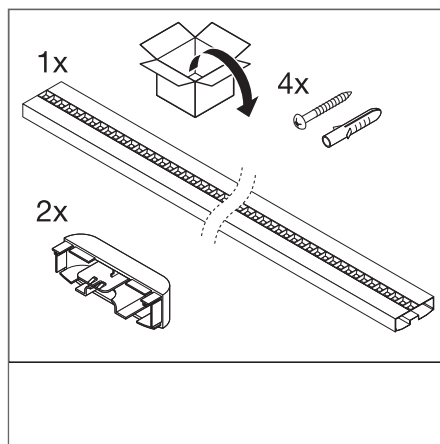
EQUIPMENT / ACCESSORIES

- Ceiling connection box available*
- Suspension kit available*
- Line connection adapter available*

FURTHER PRODUCT DETAILS



LN INDV D/I DALI 1500 56 W 4000 K



* Please note: available = available as an optional accessory.

¹ The ENEC certification applies exclusively to the switchable versions of the luminaire family, all other versions: DALI, sensor, emergency and versions for through-wiring are excepted. |

² Refer to www.ledvance.com/guarantee for precise conditions | ³ Versions with integrated sensor available

The pictures shown in the catalog are for illustration purposes only. For information on size and color, please refer to the product table.

LINEAR INDIVILED® DIRECT/INDIRECT

Pendant luminaire for single luminaire or light line application

Product name	Segmentation	GTIN (EAN)	RE-PLACEMENT FOR	W	lm	lm/W	K	L70	L80	△	⤵
LN INDV D/1 1200 42 W 3000 K	■	4058075109728	2x28W FL	42	4650	110	3000	60000	50000	70	-
LN INDV D/1 1200 42 W 4000 K	■	4058075109742	2x28W FL	42	5050	120	4000	60000	50000	70	-
LN INDV D/1 1500 56 W 3000 K	■	4058075109766	2x49W FL	56	6150	110	3000	60000	50000	70	-
LN INDV D/1 1500 56 W 4000 K	■	4058075110441	2x49W FL	56	6550	115	4000	60000	50000	70	-
LN INDV D/1 DALI 1200 42 W 3000 K	■	4058075109001	2x28W FL	42	4650	110	3000	60000	50000	70	DALI
LN INDV D/1 DALI 1200 42 W 4000 K	■	4058075109025	2x28W FL	42	5050	120	4000	60000	50000	70	DALI
LN INDV D/1 DALI 1500 56 W 3000 K	■	4058075109049	2x49W FL	56	6150	110	3000	60000	50000	70	DALI
LN INDV D/1 DALI 1500 56 W 4000 K	■	4058075109063	2x49W FL	56	6550	115	4000	60000	50000	70	DALI



Product name	CRI	UGR	FLICKER VALUE	IK	Ⓜ	L × W × H [mm] ∅ × H [mm]
LN INDV D/1 1200 42 W 3000 K	≥80	<16	<10 %	IK06	2600	1199 x 120 x 40
LN INDV D/1 1200 42 W 4000 K	≥80	<16	<10 %	IK06	2600	1199 x 120 x 40
LN INDV D/1 1500 56 W 3000 K	≥80	<16	<10 %	IK06	3200	1488 x 120 x 40
LN INDV D/1 1500 56 W 4000 K	≥80	<16	<10 %	IK06	3200	1488 x 120 x 40
LN INDV D/1 DALI 1200 42 W 3000 K	≥80	<16	<10 %	IK06	2800	1199 x 120 x 40
LN INDV D/1 DALI 1200 42 W 4000 K	≥80	<16	<10 %	IK06	2800	1199 x 120 x 40
LN INDV D/1 DALI 1500 56 W 3000 K	≥80	<16	<10 %	IK06	3600	1488 x 120 x 40
LN INDV D/1 DALI 1500 56 W 4000 K	≥80	<16	<10 %	IK06	3600	1488 x 120 x 40

LINEAR INDIVILED® DIRECT/INDIRECT SENSOR

Pendant luminaire for single luminaire or light line application with sensor function

Product name	Segmentation	GTIN (EAN)	RE-PLACEMENT FOR	W	lm	lm/W	K	L70	L80	△	⤵
LN INDV D/1 1200 42 W 3000 K S	■	4058075109445	2x28W FL	42	4650	110	3000	60000	50000	70	-
LN INDV D/1 1200 42 W 4000 K S	■	4058075109469	2x28W FL	42	5050	120	4000	60000	50000	70	-
LN INDV D/1 1500 56 W 3000 K S	■	4058075109483	2x49W FL	56	6150	110	3000	60000	50000	70	-
LN INDV D/1 1500 56 W 4000 K S	■	4058075109506	2x49W FL	56	6550	115	4000	60000	50000	70	-
LN INDV D/1 DALI 1200 42 W 3000 K S	■	4058075110045	2x28W FL	42	4650	110	3000	60000	50000	70	DALI
LN INDV D/1 DALI 1200 42 W 4000 K S	■	4058075110069	2x28W FL	42	5050	120	4000	60000	50000	70	DALI
LN INDV D/1 DALI 1500 56 W 3000 K S	■	4058075110083	2x49W FL	56	6150	110	3000	60000	50000	70	DALI
LN INDV D/1 DALI 1500 56 W 4000 K S	■	4058075110106	2x49W FL	56	6550	115	4000	60000	50000	70	DALI



Product name	CRI	UGR	FLICKER VALUE	IK	Ⓜ	L × W × H [mm] ∅ × H [mm]
LN INDV D/1 1200 42 W 3000 K S	≥80	<16	<10 %	IK06	2700	1229 x 120 x 40
LN INDV D/1 1200 42 W 4000 K S	≥80	<16	<10 %	IK06	2700	1229 x 120 x 40
LN INDV D/1 1500 56 W 3000 K S	≥80	<16	<10 %	IK06	3300	1518 x 120 x 40
LN INDV D/1 1500 56 W 4000 K S	≥80	<16	<10 %	IK06	3300	1518 x 120 x 40
LN INDV D/1 DALI 1200 42 W 3000 K S	≥80	<16	<10 %	IK06	3000	1229 x 120 x 40
LN INDV D/1 DALI 1200 42 W 4000 K S	≥80	<16	<10 %	IK06	3000	1229 x 120 x 40
LN INDV D/1 DALI 1500 56 W 3000 K S	≥80	<16	<10 %	IK06	3600	1518 x 120 x 40
LN INDV D/1 DALI 1500 56 W 4000 K S	≥80	<16	<10 %	IK06	3600	1518 x 120 x 40

¹ t [h]: L70/B50 @ 25 °C (Ta) / t [h]: L80/B10 @ 25 °C (Ta)

LINEAR INDIVILED® DIRECT/INDIRECT EMERGENCY

Pendant luminaire for single luminaire or light line application with emergency lighting

Product name	Segmentation	GTIN (EAN)	RE-PLACE-MENT FOR	W	lm	lm/W	K	L70 ¹	L80 ¹	△
LN INDV D/1 1200 42 W 3000 K EM	■	4058075109841	2x28W FL	42	4650	110	3000	60000	50000	70
LN INDV D/1 1200 42 W 4000 K EM	■	4058075109865	2x28W FL	42	5050	120	4000	60000	50000	70
LN INDV D/1 1500 56 W 3000 K EM	■	4058075109889	2x49W FL	56	6150	110	3000	60000	50000	70
LN INDV D/1 1500 56 W 4000 K EM	■	4058075109902	2x49W FL	56	6550	115	4000	60000	50000	70



Product name	CRI	UGR	FLICKER VALUE	IK	9	L x W x H [mm] Ø x H [mm]
LN INDV D/1 1200 42 W 3000 K EM	≥80	<16	<10 %	IK06	3000	1199 x 120 x 40
LN INDV D/1 1200 42 W 4000 K EM	≥80	<16	<10 %	IK06	3000	1199 x 120 x 40
LN INDV D/1 1500 56 W 3000 K EM	≥80	<16	<10 %	IK06	3550	1488 x 120 x 40
LN INDV D/1 1500 56 W 4000 K EM	≥80	<16	<10 %	IK06	3550	1488 x 120 x 40

LINEAR INDIVILED® DIRECT/INDIRECT THROUGH-WIRED

Pendant luminaire for single luminaire or light line application for through wiring

Product name	Segmentation	GTIN (EAN)	RE-PLACE-MENT FOR	W	lm	lm/W	K	L70 ¹	L80 ¹	△
LN INDV D/1 1200 42 W 3000 K TH	■	4058075109209	2x28W FL	42	4650	110	3000	60000	50000	70
LN INDV D/1 1200 42 W 4000 K TH	■	4058075109223	2x28W FL	42	5050	120	4000	60000	50000	70
LN INDV D/1 1500 56 W 3000 K TH	■	4058075109247	2x49W FL	56	6150	110	3000	60000	50000	70
LN INDV D/1 1500 56 W 4000 K TH	■	4058075109261	2x49W FL	56	6550	115	4000	60000	50000	70



Product name	CRI	UGR	FLICKER VALUE	IK	9	L x W x H [mm] Ø x H [mm]
LN INDV D/1 1200 42 W 3000 K TH	≥80	<16	<10 %	IK06	2800	1199 x 120 x 40
LN INDV D/1 1200 42 W 4000 K TH	≥80	<16	<10 %	IK06	2800	1199 x 120 x 40
LN INDV D/1 1500 56 W 3000 K TH	≥80	<16	<10 %	IK06	3430	1488 x 120 x 40
LN INDV D/1 1500 56 W 4000 K TH	≥80	<16	<10 %	IK06	3430	1488 x 120 x 40

¹ t [h]: L70/B50 @ 25 °C (Ta) / t [h]: L80/B10 @ 25 °C (Ta)

SENSOR PROPERTIES

Product name	Type of sensor	Sensor technology	Detection threshold of daylight sensor	Detection range of motion sensor	Sensor detection angle	Sensor controlled switching time
LINEAR IndiviLED DIRECT/INDIRECT SENSOR	Motion/Light	Microwave	25 lx	8 m	110 °	5 s/1 min/3 min/10 min
LINEAR IndiviLED DIRECT/INDIRECT DALI SENSOR	Motion/Light	Microwave	25 lx	8 m	110 °	5 s/1 min/3 min/10 min

EMERGENCY LIGHTING PROPERTIES

Product name	Battery life in emergency operation mode	Type of emergency operation test	Type of emergency light operation	Luminous flux in emergency operation mode	Type of Battery
LN INDV D/1 1200 42 W 3000 K EM	3 h	Automatic	Maintained/Non-maintained	410 lm	LiFeP04
LN INDV D/1 1200 42 W 4000 K EM	3 h	Automatic	Maintained/Non-maintained	410 lm	LiFeP04
LN INDV D/1 1500 56 W 3000 K EM	3 h	Automatic	Maintained/Non-maintained	410 lm	LiFeP04
LN INDV D/1 1500 56 W 4000 K EM	3 h	Automatic	Maintained/Non-maintained	410 lm	LiFeP04

LINEAR INDIVILED® DIRECT/INDIRECT ACCESSORIES

Mounting accessories for LINEAR INDIVILED® luminaires



- Suspension Kit:
1 x transparent 1.5 m cable 3 x 0.75 mm
+ 2 x Y wire suspension 1.5 m
- DALI Suspension Kit:
1 x transparent 1.5 m cable 5 x 0.75 mm
+ 2 x Y wire suspension 1.5 m
- Suspension Wire:
1 x Y wire suspension 1.5 m
- Through Wiring Kit:
3 x 1.5 mm with fast connector
- DALI Through Wiring Kit: 2 x 1.5 mm
with fast connector

Product name	GTIN (EAN)	L x W x H [mm] Ø x H [mm]	MATERIAL	COLOR		 No.
LN INDV Suspension Kit	4058075133280	100 x 25	Steel	White	1	1
LN INDV DALI Suspension Kit	4058075133303	100 x 25	Steel	White	1	2
LN INDV Suspension Wire	4058075133327	1560 x 1 x 1	Steel	Steel	1	3
LN INDV Lightline Connector	4058075133341	82 x 40 x 12	Steel	Steel	1	4
LN INDV 1200 Through Wiring Kit	4058075158030	1250 x 20 x 7	Polycarbonate (PC)	Yellow	1	5
LN INDV 1500 Through Wiring Kit	4058075133365	1250 x 20 x 7	Polycarbonate (PC)	Yellow	1	5
LN INDV DALI 1200 Through Wiring Kit	4058075158016	1560 x 13 x 7	Polycarbonate (PC)	Yellow	1	6
LN INDV DALI 1500 Through Wiring Kit	4058075157996	1560 x 13 x 7	Polycarbonate (PC)	Yellow	1	6

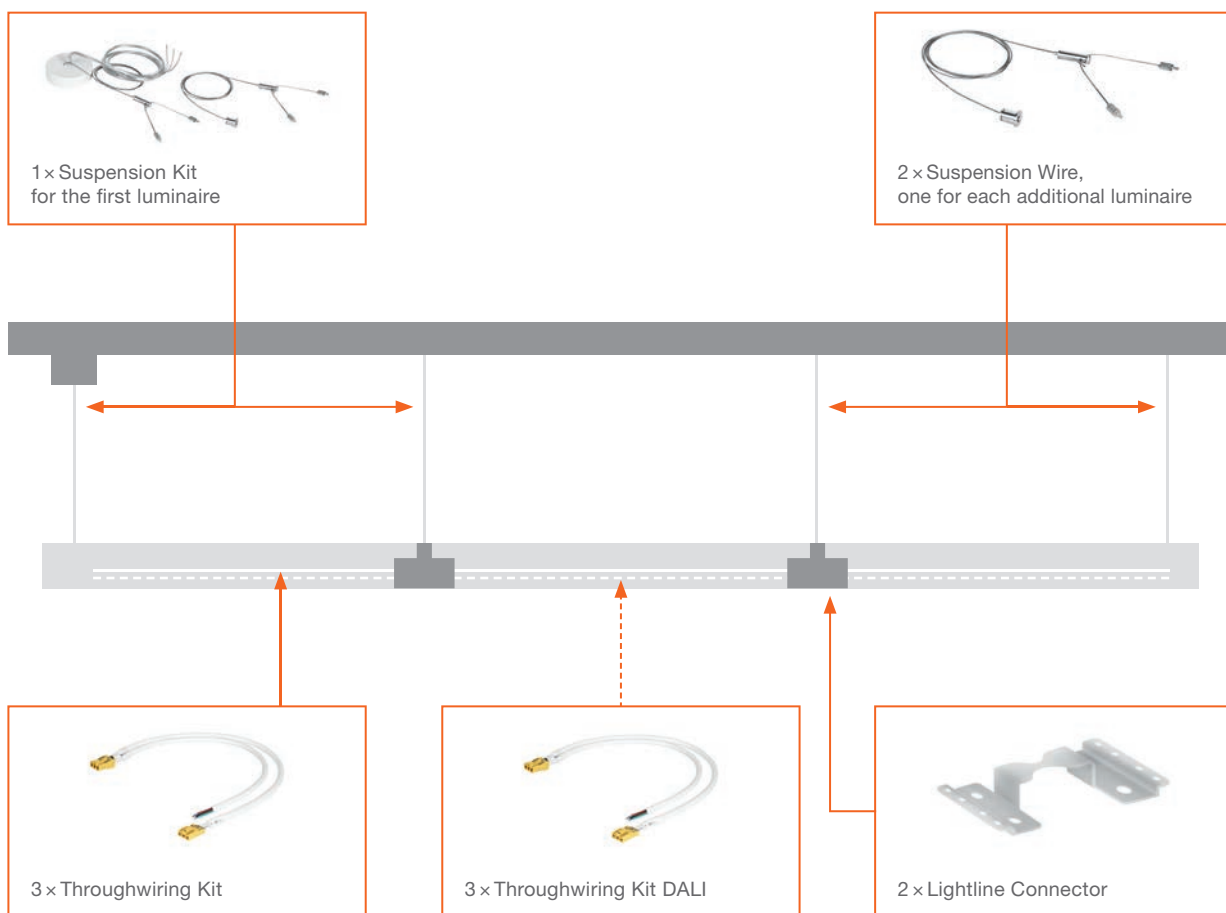
¹ Refer to www.ledvance.com/guarantee for precise conditions

OUR CHECKLIST FOR YOUR LINEAR INDIVILED® DALI SYSTEM

Typical installation: We have put together for you all the necessary components for suspended installation of three luminaires as strip lighting. For more information see the operating instructions for Linear IndiviLED®.

UP TO 20 LUMINAIRES!

INSTALLATION OF 3 × LINEAR INDIVILED® DALI



The through-wiring must be fitted by an installer.



ORDER LIST

- 3 × Linear IndiviLED® Luminaire
- 3 × Throughwiring Kit
- 3 × Throughwiring Kit DALI
- 2 × Lightline Connector
- 1 × Suspension Kit
- 2 × Suspension Wire



LINEAR INDIVILED® DIRECT

Surface luminaires with direct light emission for single luminaire or light line application



PRODUCT FEATURES

- Aluminum housing, plastic end caps, white
- Each LED with individual lens and reflector for $UGR \leq 16$ and homogeneous light distribution
- Usable as a single or strip lighting luminaire
- Sensor versions: sensor (HF) or DALI sensor (PIR + daylight); usable only as a single luminaire
- Mountable directly on the ceiling as a surface-mounted luminaire without additional accessories

PRODUCT BENEFITS

- Luminaire in timeless SCALE design, usable as a single or lighting strip solution
- Versions available with DALI ECG, sensor, emergency lighting or through-wiring
- Direct-light, surface-mounted luminaire also usable as pendant (order accessories separately)
- Low flicker light thanks to special electronic control gear
- All versions with 5-year guarantee, except emergency version: 3 years (built-in 3h battery)

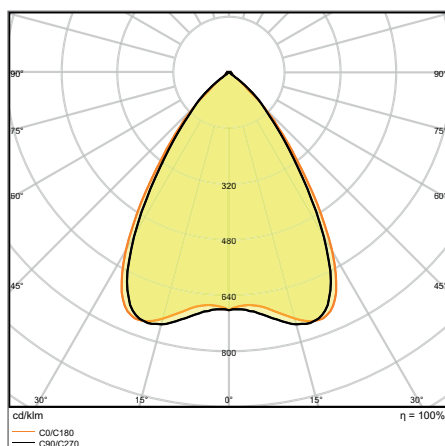
AREAS OF APPLICATION

- Direct replacement for luminaires with fluorescent lamps
- Offices, schools
- General indoor illumination
- Corridors, entrance areas
- Seamless linear lighting

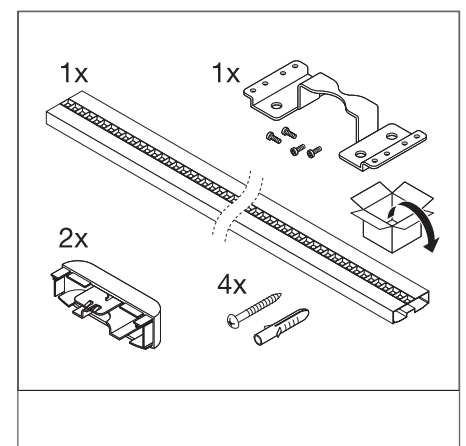
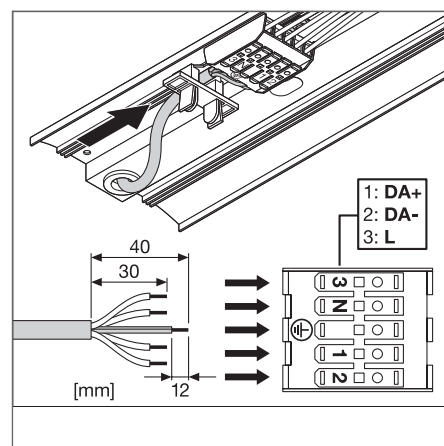
EQUIPMENT / ACCESSORIES

- Ceiling connection box available*
- Suspension kit available*
- Line connection adapter available*

FURTHER PRODUCT DETAILS



LN INDV D DALI 1500 48 W 4000 K



* Please note: available = available as an optional accessory.

¹ The ENEC certification applies exclusively to the switchable versions of the luminaire family, all other versions: DALI, sensor, emergency and versions for through-wiring are excepted. |

² Refer to www.ledvance.com/guarantee for precise conditions | ³ Versions with integrated sensor available

The pictures shown in the catalog are for illustration purposes only. For information on size and color, please refer to the product table.

LINEAR INDIVILED® DIRECT

Surface mounted luminaire for single luminaire or light line application

Product name	Segmentation	GTIN (EAN)	RE-PLACE-MENT FOR	W	lm	lm/W	K	L70	L80	△	⤵
LN INDV D 1200 34 W 3000 K	■	4058075109605	2x28W FL	34	3800	110	3000	60000	50000	70	-
LN INDV D 1200 34 W 4000 K	■	4058075109629	2x28W FL	34	4200	120	4000	60000	50000	70	-
LN INDV D 1500 25 W 3000 K	■	4058075109643	1x49W FL	25	3100	125	3000	60000	50000	70	-
LN INDV D 1500 25 W 4000 K	■	4058075109667	1x49W FL	25	3300	125	4000	60000	50000	70	-
LN INDV D 1500 48 W 3000 K	■	4058075109681	2x49W FL	48	5300	110	3000	60000	50000	70	-
LN INDV D 1500 48 W 4000 K	■	4058075109704	2x49W FL	48	5700	120	4000	60000	50000	70	-
LN INDV D DALI 1200 34 W 3000 K	■	4058075108806	2x28W FL	34	3800	110	3000	60000	50000	70	DALI
LN INDV D DALI 1200 34 W 4000 K	■	4058075108905	2x28W FL	34	4200	120	4000	60000	50000	70	DALI
LN INDV D DALI 1500 25 W 3000 K	■	4058075108929	1x49W FL	25	3100	125	3000	60000	50000	70	DALI
LN INDV D DALI 1500 25 W 4000 K	■	4058075108943	1x49W FL	25	3300	125	4000	60000	50000	70	DALI
LN INDV D DALI 1500 48 W 3000 K	■	4058075108967	2x49W FL	48	5300	110	3000	60000	50000	70	DALI
LN INDV D DALI 1500 48 W 4000 K	■	4058075108981	2x49W FL	48	5700	120	4000	60000	50000	70	DALI



Product name	CRI	UGR	FLICKER VALUE	IK	g	L × W × H [mm]	Ø × H [mm]
LN INDV D 1200 34 W 3000 K	≥80	<16	<10 %	IK06	2400	1199 x 120 x 40	
LN INDV D 1200 34 W 4000 K	≥80	<16	<10 %	IK06	2400	1199 x 120 x 40	
LN INDV D 1500 25 W 3000 K	≥80	<16	<10 %	IK06	2900	1488 x 120 x 40	
LN INDV D 1500 25 W 4000 K	≥80	<16	<10 %	IK06	2900	1488 x 120 x 40	
LN INDV D 1500 48 W 3000 K	≥80	<16	<10 %	IK06	3100	1488 x 120 x 40	
LN INDV D 1500 48 W 4000 K	≥80	<16	<10 %	IK06	3100	1488 x 120 x 40	
LN INDV D DALI 1200 34 W 3000 K	≥80	<16	<10 %	IK06	2500	1199 x 120 x 40	
LN INDV D DALI 1200 34 W 4000 K	≥80	<16	<10 %	IK06	2500	1199 x 120 x 40	
LN INDV D DALI 1500 25 W 3000 K	≥80	<16	<10 %	IK06	3000	1488 x 120 x 40	
LN INDV D DALI 1500 25 W 4000 K	≥80	<16	<10 %	IK06	3000	1488 x 120 x 40	
LN INDV D DALI 1500 48 W 3000 K	≥80	<16	<10 %	IK06	3200	1488 x 120 x 40	
LN INDV D DALI 1500 48 W 4000 K	≥80	<16	<10 %	IK06	3200	1488 x 120 x 40	

¹ t [h]: L70/B50 @ 25 °C (Ta) / t [h]: L80/B10 @ 25 °C (Ta)

LINEAR INDIVILED® DIRECT SENSOR

Surface mounted luminaire for single luminaire or light line application with sensor function

Product name	Segmentation	GTIN (EAN)	RE-PLACEMENT FOR	W	lm	lm/W	K	L70 ¹	L80 ¹		
LN INDV D 1200 34 W 3000 K S	■	4058075109285	2x28W FL	34	3800	110	3000	60000	50000	70	-
LN INDV D 1200 34 W 4000 K S	■	4058075109308	2x28W FL	34	4200	120	4000	60000	50000	70	-
LN INDV D 1500 25 W 3000 K S	■	4058075109322	1x49W FL	25	3100	125	3000	60000	50000	70	-
LN INDV D 1500 25 W 4000 K S	■	4058075109360	1x49W FL	25	3300	125	4000	60000	50000	70	-
LN INDV D 1500 48 W 3000 K S	■	4058075109384	2x49W FL	48	5300	110	3000	60000	50000	70	-
LN INDV D 1500 48 W 4000 K S	■	4058075109407	2x49W FL	48	5700	120	4000	60000	50000	70	-
LN INDV D DALI 1200 34 W 3000 K S	■	4058075109926	2x28W FL	34	3800	110	3000	60000	50000	70	DALI
LN INDV D DALI 1200 34 W 4000 K S	■	4058075109940	2x28W FL	34	4200	120	4000	60000	50000	70	DALI
LN INDV D DALI 1500 25 W 3000 K S	■	4058075109964	1x49W FL	25	3100	125	3000	60000	50000	70	DALI
LN INDV D DALI 1500 25 W 4000 K S	■	4058075109988	1x49W FL	25	3300	125	4000	60000	50000	70	DALI
LN INDV D DALI 1500 48 W 3000 K S	■	4058075110007	2x49W FL	48	5300	110	3000	60000	50000	70	DALI
LN INDV D DALI 1500 48 W 4000 K S	■	4058075110021	2x49W FL	48	5700	120	4000	60000	50000	70	DALI



Product name	CRI	UGR	FLICKER VALUE	IK		L x W x H [mm] Ø x H [mm]
LN INDV D 1200 34 W 3000 K S	≥80	<16	<10 %	IK06	2500	1229 x 120 x 40
LN INDV D 1200 34 W 4000 K S	≥80	<16	<10 %	IK06	2500	1229 x 120 x 40
LN INDV D 1500 25 W 3000 K S	≥80	<16	<10 %	IK06	3000	1518 x 120 x 40
LN INDV D 1500 25 W 4000 K S	≥80	<16	<10 %	IK06	3000	1518 x 120 x 40
LN INDV D 1500 48 W 3000 K S	≥80	<16	<10 %	IK06	3200	1518 x 120 x 40
LN INDV D 1500 48 W 4000 K S	≥80	<16	<10 %	IK06	3200	1518 x 120 x 40
LN INDV D DALI 1200 34 W 3000 K S	≥80	<16	<10 %	IK06	2600	1229 x 120 x 40
LN INDV D DALI 1200 34 W 4000 K S	≥80	<16	<10 %	IK06	2600	1229 x 120 x 40
LN INDV D DALI 1500 25 W 3000 K S	≥80	<16	<10 %	IK06	3100	1518 x 120 x 40
LN INDV D DALI 1500 25 W 4000 K S	≥80	<16	<10 %	IK06	3100	1518 x 120 x 40
LN INDV D DALI 1500 48 W 3000 K S	≥80	<16	<10 %	IK06	3300	1518 x 120 x 40
LN INDV D DALI 1500 48 W 4000 K S	≥80	<16	<10 %	IK06	3300	1518 x 120 x 40

LINEAR INDIVILED® DIRECT EMERGENCY

Surface mounted luminaire for single luminaire or light line application with emergency lighting

Product name	Segmentation	GTIN (EAN)	RE-PLACEMENT FOR	W	lm	lm/W	K	L70 ¹	L80 ¹	
LN INDV D 1200 34 W 3000 K EM	■	4058075109520	2x28W FL	34	3800	110	3000	60000	50000	70
LN INDV D 1200 34 W 4000 K EM	■	4058075109544	2x28W FL	34	4200	120	4000	60000	50000	70
LN INDV D 1500 25 W 3000 K EM	■	4058075109568	1x49W FL	25	3100	125	3000	60000	50000	70
LN INDV D 1500 25 W 4000 K EM	■	4058075109582	1x49W FL	25	3300	125	4000	60000	50000	70
LN INDV D 1500 48 W 3000 K EM	■	4058075109803	2x49W FL	48	5300	110	3000	60000	50000	70
LN INDV D 1500 48 W 4000 K EM	■	4058075109827	2x49W FL	48	5700	120	4000	60000	50000	70



Product name	CRI	UGR	FLICKER VALUE	IK		L x W x H [mm] Ø x H [mm]
LN INDV D 1200 34 W 3000 K EM	≥80	<16	<10 %	IK06	2700	1199 x 120 x 40
LN INDV D 1200 34 W 4000 K EM	≥80	<16	<10 %	IK06	2700	1199 x 120 x 40
LN INDV D 1500 25 W 3000 K EM	≥80	<16	<10 %	IK06	3100	1488 x 120 x 40
LN INDV D 1500 25 W 4000 K EM	≥80	<16	<10 %	IK06	3100	1488 x 120 x 40
LN INDV D 1500 48 W 3000 K EM	≥80	<16	<10 %	IK06	3170	1488 x 120 x 40
LN INDV D 1500 48 W 4000 K EM	≥80	<16	<10 %	IK06	3170	1488 x 120 x 40

¹ t [h]: L70/B50 @ 25 °C (Ta) / t [h]: L80/B10 @ 25 °C (Ta)

LINEAR INDIVILED® DIRECT THROUGH-WIRED

Surface mounted luminaire for single luminaire or light line application for through wiring

Product name	Segmentation	GTIN (EAN)	RE-PLACEMENT FOR	W	lm	lm/W	K	L70 ¹	L80 ¹	°
LN INDV D 1200 34 W 3000 K TH	■	4058075109087	2x28W FL	34	3800	110	3000	60000	50000	70
LN INDV D 1200 34 W 4000 K TH	■	4058075109100	2x28W FL	34	4200	120	4000	60000	50000	70
LN INDV D 1500 25 W 3000 K TH	■	4058075109124	1x49W FL	25	3100	125	3000	60000	50000	70
LN INDV D 1500 25 W 4000 K TH	■	4058075109148	1x49W FL	25	3300	125	4000	60000	50000	70
LN INDV D 1500 48 W 3000 K TH	■	4058075109162	2x49W FL	48	5300	110	3000	60000	50000	70
LN INDV D 1500 48 W 4000 K TH	■	4058075109186	2x49W FL	48	5700	120	4000	60000	50000	70



Product name	CRI	UGR	FLICKER VALUE	IK	g	L x W x H [mm] Ø x H [mm]
LN INDV D 1200 34 W 3000 K TH	≥80	<16	<10 %	IK06	2600	1199 x 120 x 40
LN INDV D 1200 34 W 4000 K TH	≥80	<16	<10 %	IK06	2600	1199 x 120 x 40
LN INDV D 1500 25 W 3000 K TH	≥80	<16	<10 %	IK06	3130	1488 x 120 x 40
LN INDV D 1500 25 W 4000 K TH	≥80	<16	<10 %	IK06	3130	1488 x 120 x 40
LN INDV D 1500 48 W 3000 K TH	≥80	<16	<10 %	IK06	3330	1488 x 120 x 40
LN INDV D 1500 48 W 4000 K TH	≥80	<16	<10 %	IK06	3330	1488 x 120 x 40

SENSOR PROPERTIES

Product name	Type of sensor	Sensor technology	Detection threshold of daylight sensor	Detection range of motion sensor	Sensor detection angle	Sensor controlled switching time
LINEAR IndiviLED DIRECT SENSOR	Motion/Light	Microwave	25 lx	8 m	110 °	5 s/1 min/3 min/10 min
LINEAR IndiviLED DIRECT DALI SENSOR	Motion/Light	Microwave	25 lx	8 m	110 °	5 s/1 min/3 min/10 min

EMERGENCY LIGHTING PROPERTIES

Product name	Battery life in emergency operation mode	Type of emergency operation test	Type of emergency light operation	Luminous flux in emergency operation mode	Type of Battery
LN INDV D 1200 34 W 3000 K EM	3 h	Automatic	Maintained/Non-maintained	410 lm	LiFeP04
LN INDV D 1200 34 W 4000 K EM	3 h	Automatic	Maintained/Non-maintained	410 lm	LiFeP04
LN INDV D 1500 25 W 3000 K EM	3 h	Automatic	Maintained/Non-maintained	410 lm	LiFeP04
LN INDV D 1500 25 W 4000 K EM	3 h	Automatic	Maintained/Non-maintained	410 lm	LiFeP04
LN INDV D 1500 48 W 3000 K EM	3 h	Automatic	Maintained/Non-maintained	410 lm	LiFeP04
LN INDV D 1500 48 W 4000 K EM	3 h	Automatic	Maintained/Non-maintained	410 lm	LiFeP04

¹ t [h]: L70/B50 @ 25 °C (Ta) / t [h]: L80/B10 @ 25 °C (Ta)

LINEAR INDIVILED® DIRECT ACCESSORIES

Mounting accessories for LINEAR INDIVILED® luminaires



- Suspension Kit:
1 x transparent 1.5 m cable 3 x 0.75 mm
+ 2 x Y wire suspension 1.5 m
- DALI Suspension Kit:
1 x transparent 1.5 m cable 5 x 0.75 mm
+ 2 x Y wire suspension 1.5 m
- Suspension Wire:
1 x Y wire suspension 1.5 m
- Through Wiring Kit:
3 x 1.5 mm with fast connector
- DALI Through Wiring Kit: 2 x 1.5 mm
with fast connector

Product name	GTIN (EAN)	L x W x H [mm] Ø x H [mm]	MATERIAL	COLOR		 No.
LN INDV Suspension Kit	4058075133280	100 x 25	Steel	White	1	1
LN INDV DALI Suspension Kit	4058075133303	100 x 25	Steel	White	1	2
LN INDV Suspension Wire	4058075133327	1560 x 1 x 1	Steel	Steel	1	3
LN INDV Lightline Connector	4058075133341	82 x 40 x 12	Steel	Steel	1	4
LN INDV 1200 Through Wiring Kit	4058075158030	1250 x 20 x 7	Polycarbonate (PC)	Yellow	1	5
LN INDV 1500 Through Wiring Kit	4058075133365	1250 x 20 x 7	Polycarbonate (PC)	Yellow	1	5
LN INDV DALI 1200 Through Wiring Kit	4058075158016	1560 x 13 x 7	Polycarbonate (PC)	Yellow	1	6
LN INDV DALI 1500 Through Wiring Kit	4058075157996	1560 x 13 x 7	Polycarbonate (PC)	Yellow	1	6

¹ Refer to www.ledvance.com/guarantee for precise conditions

SENSOR TECHNOLOGIES FOR LINEAR INDIVILED® AT A GLANCE



Linear IndiviLED® surface-mounted and pendant luminaires with state-of-the-art sensor technology are available for energy-efficient and demand-oriented lighting control:

- Standalone solution – each luminaire is individually controlled via an integrated sensor
- Two technologies – switchable luminaires with a microwave sensor, DALI luminaires with a PIR sensor

SWITCHABLE LINEAR INDIVILED® WITH A MICROWAVE SENSOR

14

-4.24dBm / 5725-5875MHz

$2m \leq h \leq 6m$

$d = 14m @ \text{Detection Area} = 100\%$
 $d = 8m @ \text{Detection Area} = 50\%$

1		2		3		4	
ON	100%	ON	ON	5s		ON	25 LUX
-	50%	ON	-	1min		-	Disable
-		-	ON	3min		-	
-		-	-	10min		-	

LINEAR INDIVILED® DALI WITH A PIR SENSOR

Tridonic basicDIM ILD 5DPI 14f
28001203

Tridonic basicDIM ILD Programmer*
28000257

Constant lux

$x1 = 0.8 \times h$
 $x2 = 0.4 \times h$
 $y = 0.6 \times h$

Constant lux

* Tridonic basicDIM ILD Programmer is not available through LEDVANCE – it can be ordered separately online or from the wholesaler

SENSOR TECHNOLOGIES AT A GLANCE

	Sensor	DALI Sensor
Sensor technology	Microwave	PIR
Purpose and benefit	ON/OFF sensor for energy saving	Various dimming features for energy saving and increased comfort
Motion detection	Yes	Yes
Presence detection	No	Yes
Daylight detection	Yes	Yes
Daylight dimming/constant light: (= constant light level on the surface, e.g. desk, based on existing amount of natural light.)	No	Yes
Settable parameters	Basic settings with dip switch on sensor: – Detection area (50% or 100%) – Daylight sensor: ON or OFF – Hold time: 5s, 1min, 3min, 10min	Advanced settings with separate remote control, e.g.: – Dimming – Constant light level – Bright Out (luminaire on or off according to ambient light level) – Offsets (between direct and indirect light) – Hold time of sensor – Step dimming (e.g. levels at vacancy)
Detection sensitivity	High (signal can go through walls)	Normal
Master/Slave	No	No
Recommended use cases	– Small office rooms – Corridors – General lighting	– Standalone solution – Small office or class rooms – Desk lighting – Retrofit installations without existing DALI or sensor wiring