



Apricum® SMone

STREETLIGHTS



Housing Color:

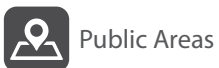
Description

Apricum SMone, LED Streetlight, uses SMD LEDs and Built-in LED driver for outdoor application. Housing is made of Die-Casted Aluminium; body coated with epoxy powder. Ergonomic and dedicated lighting distribution are viable for various roadway applications.

Product Features

- SMD LEDs
- Die-cast latches provide easy; tool-less access to the electrical compartment
- Suitable for horizontal and vertical installation
- IP66 rated engine compartment; sealed with tempered glass
- Equipped with 10kv surge protection device
- Working temperature: -40°C to 55°
- 0-1/10V dimming, DALI dimming, smart (optional)
- IP rating: IP66
- Life-span: 50,000 hours

Applications



Public Areas



Urban Roads

Electrical Specifications

- Rated Supply Voltage: 220-240V
- Frequency: 50/60Hz

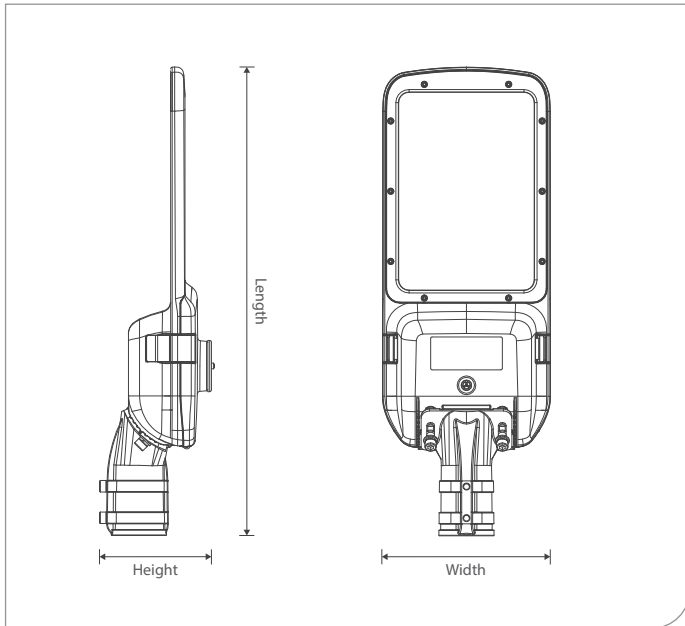
Post-top Installation



Side-entry Installation



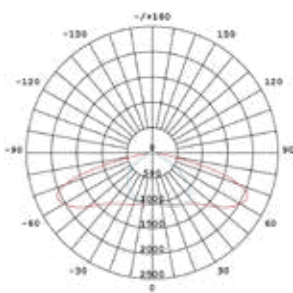
Technical Drawing



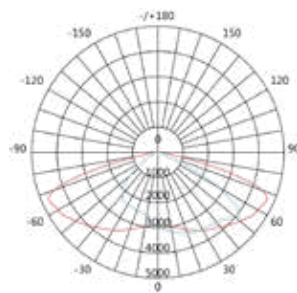
Dimensions

Model	Length	Width	Height
DUAPSM1-60	540mm	240mm	165mm
DUAPSM1-120	670mm	240mm	165mm
DUAPSM1-180	735mm	310mm	165mm
DUAPSM1-200	835mm	310mm	165mm
DUAPSM1-240	835mm	310mm	165mm

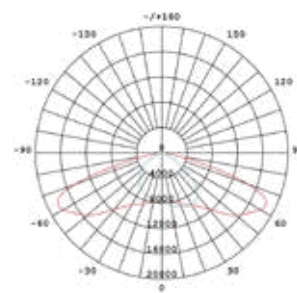
Photometric Diagrams



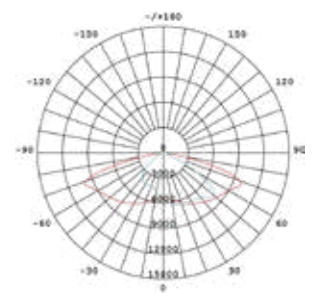
1881



2883



1884



2886

Technical Specifications

Model	Power [W]	LED units	LED type	Luminous flux [lm]	Luminous efficacy [lm/W]	CCT [K]	Light distribution	CRI [Ra]	Net weight [kg]
DUAPSM1-60	60W	1 unit x 34	SMD LED	9900 lm	165 lm/W	3000K 4000K 6500K	Batwing ISO brightness	>70	4.5 kg
DUAPSM1-120	120W	2 units x 34		18600 lm					5.4 kg
DUAPSM1-180	180W	3 units x 28		29700 lm					7.1 kg
DUAPSM1-200	200W	4 units x 28		33000 lm					8.2 kg
DUAPSM1-240	240W	4 units x 28		39600 lm					8.2 kg