



Apricum® STL 744

**STREETLIGHTS**



#### Description

Apricum STL 744, LED Street Light, uses SMD LEDs for outdoor applications. Housing is made of Die-Cast Aluminum. It provides ergonomic and dedicated lighting distribution; viable for various roadway applications.

#### Product Features

- SMD LEDs
- Easy tool maintenance
- Suitable for Horizontal and Vertical installations
- Equipped with 10KV Surge protection device
- Working Temperature: -30°C to 50°C
- 0-1/10V dimming, DALI dimming, smart (optional)
- IP Rating: IP66
- IK Rating: IK08
- Life-span: 50,000 hours

#### Electrical Specifications

- Rated Supply Voltage: 220-240V
- Frequency: 50/60Hz

#### Applications



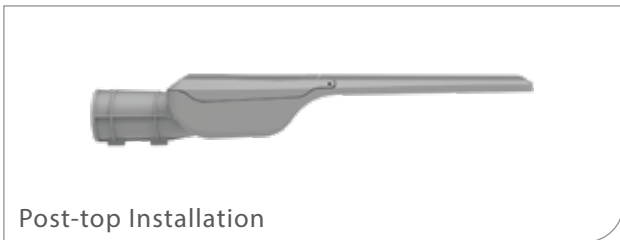
Streets



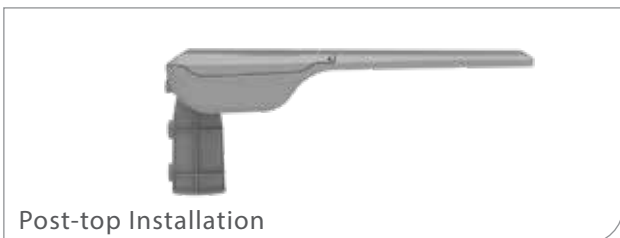
Urban Roads



Districts Lighting

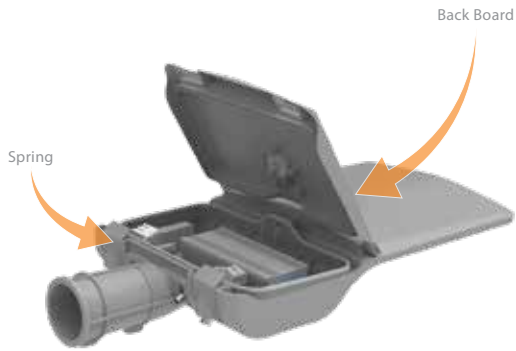


Post-top Installation

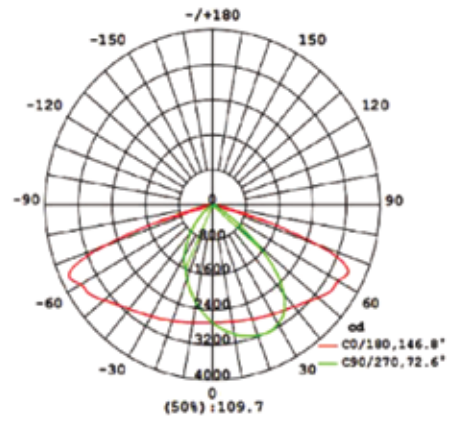


Post-top Installation

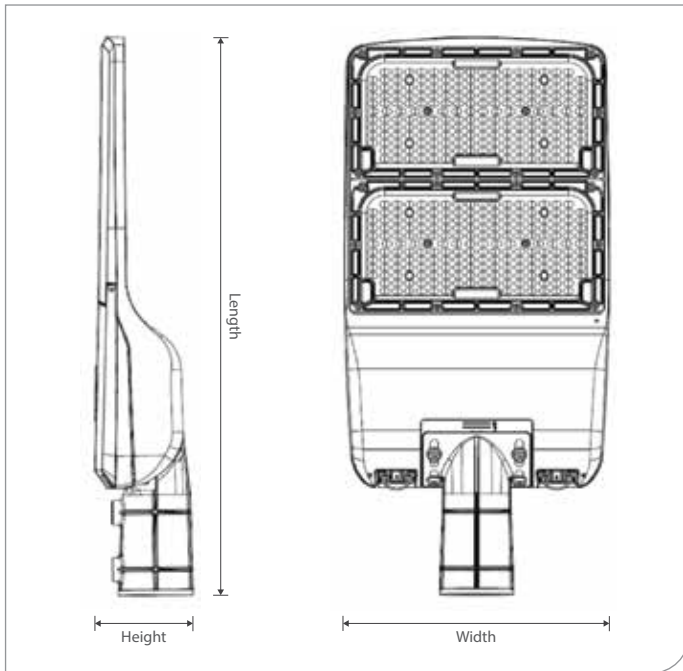
**TOOL-FREE**  
Opening Solution



**Photometric Diagram**



**Technical Drawing**



**Dimensions**

Model	Length	Width	Height
DUAPSTL744-40	371mm	287mm	103mm
DUAPSTL744-60	371mm	287mm	103mm
DUAPSTL744-90	371mm	287mm	103mm
DUAPSTL744-120	519mm	287mm	103mm
DUAPSTL744-150	519mm	287mm	103mm
DUAPSTL744-180	591mm	331mm	113mm
DUAPSTL744-210	591mm	331mm	113mm
DUAPSTL744-240	745mm	331mm	113mm
DUAPSTL744-270	745mm	331mm	113mm
DUAPSTL744-300	745mm	331mm	113mm

**Technical Specifications**

Model	Power [W]	LED type	Luminous flux [lm]	Luminous efficacy [lm/W]	CCT [K]	Beam angle	CRI [Ra]	Net weight [kg]
DUAPSTL744-40	40W	SMD LED	6400 lm	160 lm/W	3000K 4000K 5700K	150°x70°	>70	4.4 kg
DUAPSTL744-60	60W		9600 lm					4.4 kg
DUAPSTL744-90	90W		14400 lm					4.4 kg
DUAPSTL744-120	120W		19200 lm					5.4 kg
DUAPSTL744-150	150W		24000 lm					5.4 kg
DUAPSTL744-180	180W		28800 lm					7.5 kg
DUAPSTL744-210	210W		33600 lm					7.5 kg
DUAPSTL744-240	240W		38400 lm					9.5 kg
DUAPSTL744-270	270W		43200 lm					9.5 kg
DUAPSTL744-300	300W		48000 lm					9.5 kg