

WINDOW MOUNT VENTILATING FAN



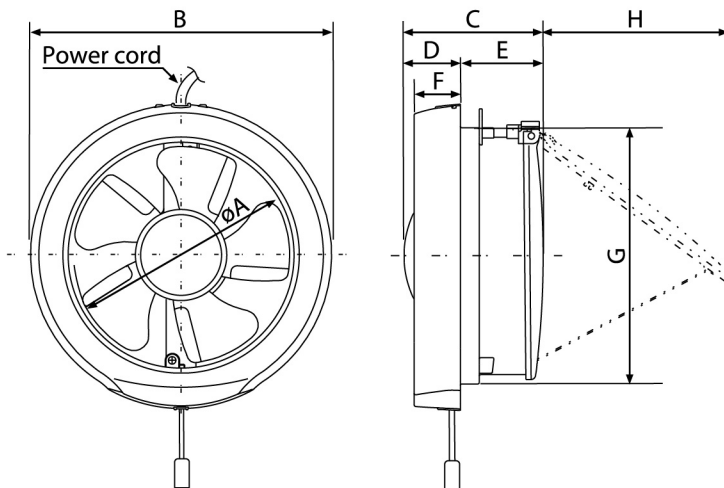
FV-15WU4, FV-20WU4

Cord-operated Shutter Series

- HP (Half Pitch) condenser motor with thermal cutoff
- Well lubricated ball bearing for long life operation
- Propeller fan with advanced blade design
- Shutter operated by pull cord
- Metallic shutter axis enhances durability
- Able to fix on glass plate with 3mm to 7mm thickness

Dimension

Unit : mm



Model	A	B	C	D	E	F	G	H (Max)
FV-15WU4	150	210	97	43	54	37.4	177	(149)
FV-20WU4	200	271	98	36	62	36	237	(201)

Specification

Model No.	Voltage		Air Volume		Consumption	RPM	Noise	Weight	Installation Space
	[V]	[Hz]	[m³/h]	[CFM]	[W]	[min⁻¹]	[dB(A)]	[kg]	[mm]
FV-15WU4	220	50	210	124	8.1	1,463	35	0.9	Ø186-Ø188
		60	200	118	8.9	1,393	34		
	230	50	220	129	8.8	1,566	36		
		240	50	230	135	9.5	1,657		
FV-20WU4	220	50	360	212	16.4	1,042	32	1.3	Ø247-Ø250
		60	360	212	19	1,024	31		
	230	50	380	224	17.9	1,122	34		
		240	50	400	235	19.5	1,189		

Note : RPM data is for reference only, values may vary subject to different conditions

Test Condition

- Air volume, electric characteristic and noise are specified at the static pressure of 0 Pa
- The values of noise level is A weighted average sound pressure level, the mean value are measured by our company, within +3 to -7 dB tolerance
- The values of noise level are measured at 1 m apart from the side of fan body
- The values of air volume are the mid-points of results measured by our company, within ±10% tolerance