

# DAMP-PROOF LUMINAIRES

FIRST-CLASS LIGHTING AND EASY INSTALLATION –  
STANDING OUT IN DEMANDING ENVIRONMENTS

## DAMP PROOF SPECIAL

Page 138



PERFORMANCE CLASS



### FOR SPECIAL APPLICATIONS

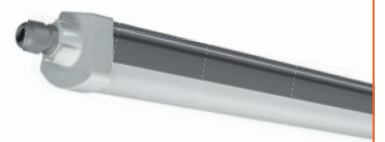
- Compensating valve allows use in varying humidity (up to 95 %) and temperature
- Also usable in uncovered outdoor areas
- Low-flicker light thanks to special electronic control gear

## DAMP PROOF COMPACT IP66

Page 132



PERFORMANCE CLASS



### MODERN DAMP-PROOF LUMINAIRE

- Easy access to the terminal thanks to the twist-and-lock mechanism on the end cap
- Movable mounting bracket over the full length allows use of old drill holes
- Fast rewiring thanks to integrated through-wiring

## DAMP PROOF

Page 134

DAMP PROOF

DAMP PROOF DALI

DAMP PROOF 5X THROUGHWIRING

DAMP PROOF EMERGENCY



PERFORMANCE CLASS



### CLASSIC DAMP-PROOF LUMINAIRE WITH A VARIETY OF OPTIONS

- Wide range of applications (switchable, DALI, through-wired, battery for safety lighting)
- Flexible use through extensive mounting and suspension accessories (included)
- No risk of electrostatic discharge through integration of the LED module into the luminaire cover

## DAMP PROOF HOUSING

Page 137

PERFORMANCE CLASS



### THE IDEAL CHOICE FOR LAMP FANS

- Sustainable solution thanks to replaceable lamps
- Prewired for easy installation of tubular AC LED lamps
- Robust housing

## DAMP PROOF VALUE

Page 142



VALUE CLASS



### CLASSIC DESIGN WITH PROVEN FUNCTIONALITY

- Uniform distribution of light
- Energy savings of up to 50 % (compared with luminaires that use fluorescent lamps)
- Easy installation and tool-free connection

## DAMP PROOF SLIM VALUE

Page 140



VALUE CLASS



### LOW IN FORM AND PRICE

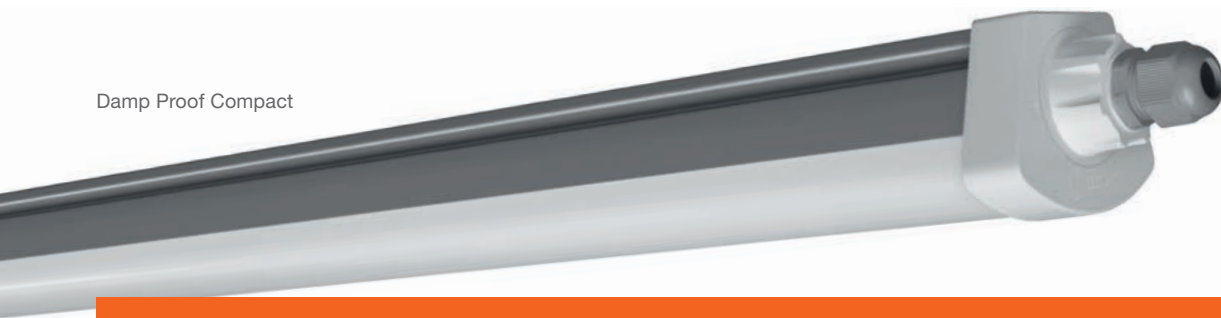
- Homogeneous quality of light with a wide beam angle
- Simple installation thanks to mounting clips that can be freely positioned on the luminaire
- Easy access to the terminal thanks to the snap-on mechanism on the end cap

# THE RIGHT DAMP-PROOF LUMINAIRE FOR EVERY OCCASION

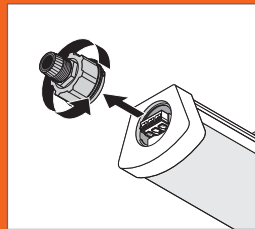
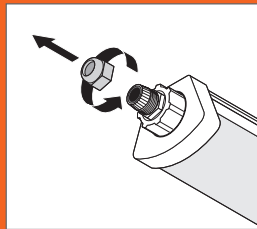
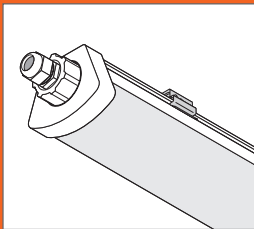
Discover now our broad portfolio which can be used for almost any standard application: In addition to classic versions, our range includes modern design luminaires – both in Performance Class and Value Class. There's also our Damp Proof Special with exceptional performance which is perfect for demanding environments.

## OUR LEDVANCE DAMP PROOFS ARE EASY TO MOUNT

Damp Proof Compact



### INSTALLATION IN NO TIME AT ALL USING THE DAMP PROOF COMPACT AS AN EXAMPLE



The end caps with their “Twist & Lock” mechanism allow for quick tool-free electrical connection.

### THROUGH-WIRING OF DAMP PROOFS AT A GLANCE

	Material	Application	Lifetime <sup>1</sup> Guarantee <sup>2</sup>	One-sided connection	3 x 1.5 mm <sup>2</sup> through-wiring preinstalled	5 x 2.5 mm <sup>2</sup> through-wiring preinstalled	DALI	Emergency lighting function
DP Special	PMMA, stainless steel		50,000 h L80 5 years		✓			
DP Compact	PC, stainless steel		50,000 h L70 5 years		✓			
DP Slim Value	PC, stainless steel		30,000 h L70 3 years	✓				
DP LED	PC, stainless steel		50,000 h L70 5 years	✓	Through-wiring possible <sup>3</sup>	39 W 4,000 K 55 W 4,000 K	✓	✓
DP VALUE	PC, stainless steel		50,000 h L70 3 years	✓	Through-wiring possible <sup>3</sup>	Through-wiring possible <sup>3</sup>		
DP Housing	PC, stainless steel		5 years	✓	Through-wiring possible <sup>3</sup>	Through-wiring possible <sup>3</sup>		

<sup>1</sup> t [h]: L70/B50 @ 25 °C (T<sub>a</sub>) / t [h]: L80/B10 @ 25 °C (T<sub>a</sub>) | <sup>2</sup> For precise terms and conditions go to [www.ledvance.com/guarantee](http://www.ledvance.com/guarantee)

<sup>3</sup> The product is technically equipped for through-wiring. Additional components may be required. Please refer to the operating instructions for accessories included.

## DAMP PROOF COMPACT IP66

Damp-proof luminaire, through-wired (L, N, E)



### PRODUCT FEATURES

- Polycarbonate housing with stainless steel mounting brackets and suspension and anti-theft kit
- Through-wiring cable 3x1.5mm<sup>2</sup> already installed
- Type of protection: IP66
- Ambient temperature in operation: -30...+50 °C
- High luminous efficacy: up to 120 lm/W

### PRODUCT BENEFITS

- Easy access to electrical terminal thanks end caps with twist and lock mechanism
- Movable mounting bracket over the full length allows use of old drill holes
- Fast rewiring thanks to integrated through-wiring
- Tool-free electrical connection due to push button connector
- 5 years guarantee

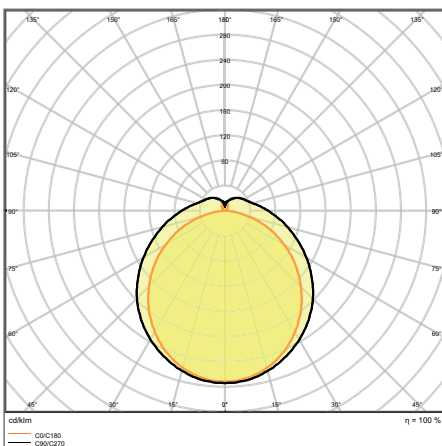
### AREAS OF APPLICATION

- Industrial and storage facilities
- Car parks and underpasses
- Garages
- Workshops, assembly lines

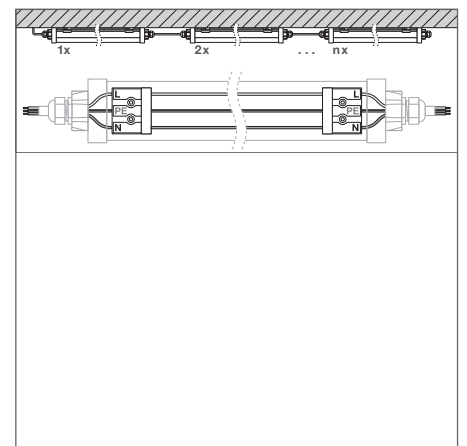
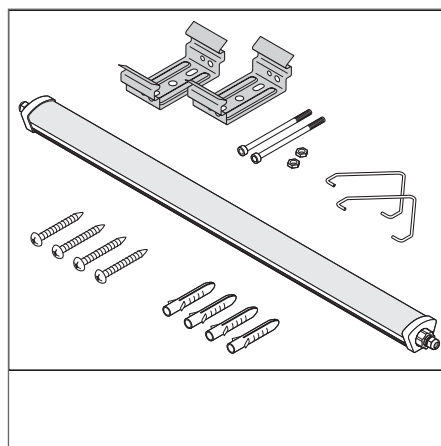
### EQUIPMENT / ACCESSORIES

- Stainless steel clamps with safety screws included
- Mounting accessories included (suspension kit, theft protection kit)

## FURTHER PRODUCT DETAILS



DP COMPACT 1500 55 W 4000K IP66 GR



<sup>1</sup> Refer to [www.ledvance.com/guarantee](http://www.ledvance.com/guarantee) for precise conditions

The pictures shown in the catalog are for illustration purposes only. For information on size and color, please refer to the product table.

Product name		Segmentation	GTIN (EAN)	REPLACE-MENT FOR	W	lm	lm/W	K	L70 <sup>1</sup>	L80 <sup>1</sup>	°C
NEW	DP COMPACT 1200 23W/3000K IP66 GR	■	4058075424227	1x36W FL	23	2600	120	3000	50000	35000	120
	DP COMPACT 1200 23 W 4000K IP66 GR	■	4058075210028	1x36W FL	23	2800	120	4000	50000	35000	120
NEW	DP COMPACT 1200 44W/3000K IP66 GR	■	4058075424241	2x36W FL	44	5100	120	3000	50000	35000	120
	DP COMPACT 1200 44 W 4000K IP66 GR	■	4058075210042	2x36W FL	44	5400	120	4000	50000	35000	120
	DP COMPACT 1200 44 W 6500K IP66 GR	■	4058075210066	2x36W FL	44	5400	120	6500	50000	35000	120
NEW	DP COMPACT 1500 31W/3000K IP66 GR	■	4058075424265	1x58W FL	31	3500	120	3000	50000	35000	120
	DP COMPACT 1500 31 W 4000K IP66 GR	■	4058075210080	1x58W FL	31	3800	120	4000	50000	35000	120
NEW	DP COMPACT 1500 55W/3000K IP66 GR	■	4058075424289	2x58W FL	55	6300	120	3000	50000	35000	120
	DP COMPACT 1500 55 W 4000K IP66 GR	■	4058075210103	2x58W FL	55	6700	120	4000	50000	35000	120
	DP COMPACT 1500 55 W 6500K IP66 GR	■	4058075210127	2x58W FL	55	6700	120	6500	50000	35000	120



Product name		CRI	IK	g	L x W x H [mm]	Ø x H [mm]
NEW	DP COMPACT 1200 23W/3000K IP66 GR	>80	IK08	1120	1290 x 86 x 68	
	DP COMPACT 1200 23 W 4000K IP66 GR	>80	IK08	1120	1290 x 86 x 68	
NEW	DP COMPACT 1200 44W/3000K IP66 GR	>80	IK08	1160	1290 x 86 x 68	
	DP COMPACT 1200 44 W 4000K IP66 GR	>80	IK08	1160	1290 x 86 x 68	
	DP COMPACT 1200 44 W 6500K IP66 GR	>80	IK08	1160	1290 x 86 x 68	
NEW	DP COMPACT 1500 31W/3000K IP66 GR	>80	IK08	1350	1590 x 86 x 68	
	DP COMPACT 1500 31 W 4000K IP66 GR	>80	IK08	1350	1590 x 86 x 68	
NEW	DP COMPACT 1500 55W/3000K IP66 GR	>80	IK08	1380	1590 x 86 x 68	
	DP COMPACT 1500 55 W 4000K IP66 GR	>80	IK08	1380	1590 x 86 x 68	
	DP COMPACT 1500 55 W 6500K IP66 GR	>80	IK08	1380	1590 x 86 x 68	

<sup>1</sup> t [h]: L70/B50 @ 25 °C (Ta) / t [h]: L80/B10 @ 25 °C (Ta)

# DAMP PROOF

Damp-proof luminaires



## PRODUCT FEATURES

- Polycarbonate housing with stainless steel mounting brackets and suspension and anti-theft kit
- Available as switchable, 5 x 2.5 sqmm through-wired, DALI and emergency 3h battery
- Type of protection: IP65
- Ambient temperature range during operation: -30° C to +40° C
- High luminous efficacy: up to 115 lm/W

## PRODUCT BENEFITS

- Wide range of applications (switchable, DALI, through-wired, battery for safety lighting)
- Flexible use through extensive mounting and suspension accessories (included)
- D-marking for mounting on surfaces with limited surface temperature
- Energy savings of up to 50 % (compared to luminaires that use fluorescent lamps)
- All versions with 5-year guarantee, except emergency version: 3 years (built-in 3h battery)

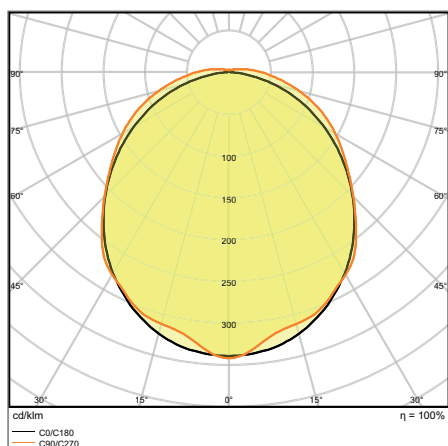
## AREAS OF APPLICATION

- Industrial and storage facilities
- Car parks and underpasses
- Garages
- Workshops, assembly lines

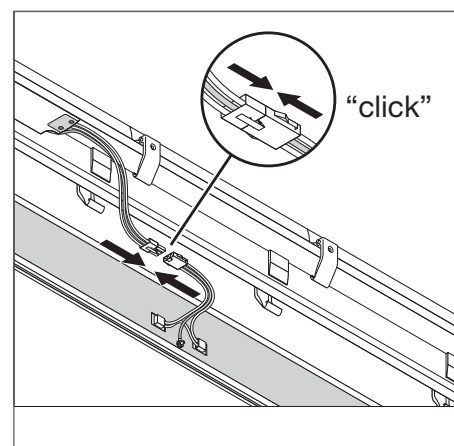
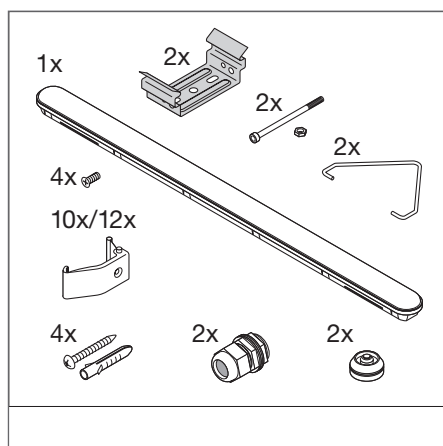
## EQUIPMENT / ACCESSORIES

- Stainless steel clamps with safety screws included
- Mounting accessories included (suspension kit, theft protection kit)

## FURTHER PRODUCT DETAILS



DP DALI 1500 55 W 6500 K IP65 GY



<sup>1</sup> The Damp Proof luminaires are certified as follows: On / Off versions and versions for through-wiring: TÜV Süd, DALI versions: ENEC 25, Emergency versions: CE. |

<sup>2</sup> 5 years of guarantee apply to all product types with the exception of the emergency version (3-year guarantee).

The pictures shown in the catalog are for illustration purposes only. For information on size and color, please refer to the product table.

## DAMP PROOF

Damp-proof luminaires, classic shape

Product name	Segmentation	GTIN (EAN)	RE-PLACEMENT FOR	W	lm	lm/W	K	L70 <sup>1</sup>	L80 <sup>1</sup>	°	°
DP 1200 21 W 4000K IP65 GY	■	4058075079892	1x36W FL	21	2400	115	4000	50000	35000	105	-
DP 1200 21 W 6500 K IP65 GY	■	4058075218024	1x36W FL	21	2400	115	6500	50000	35000	105	-
DP 1200 39 W 4000K IP65 GY	■	4058075079915	2x36W FL	39	4400	115	4000	50000	35000	105	-
DP 1200 39 W 6500K IP65 GY	■	4058075079854	2x36W FL	39	4400	115	6500	50000	35000	105	-
DP 1500 30 W 4000K IP65 GY	■	4058075079939	1x58W FL	30	3500	115	4000	50000	35000	105	-
DP 1500 30 W 6500 K IP65 GY	■	4058075218048	1x58W FL	30	3500	115	6500	50000	35000	105	-
DP 1500 55 W 4000K IP65 GY	■	4058075079953	2x58W FL	55	6400	115	4000	50000	35000	105	-
DP 1500 55 W 6500K IP65 GY	■	4058075079878	2x58W FL	55	6400	115	6500	50000	35000	105	-
DP DALI 1200 21 W 4000 K IP65 GY	■	4058075130913	1x36W FL	21	2400	115	4000	50000	35000	105	DALI
DP DALI 1200 21 W 6500 K IP65 GY	■	4058075218062	1x36W FL	21	2400	115	6500	50000	35000	105	DALI
DP DALI 1200 39 W 4000 K IP65 GY	■	4058075130937	2x36W FL	39	4400	115	4000	50000	35000	105	DALI
DP DALI 1200 39 W 6500 K IP65 GY	■	4058075210141	2x36W FL	39	4400	115	6500	50000	35000	105	DALI
DP DALI 1500 30 W 4000 K IP65 GY	■	4058075130975	1x58W FL	30	3500	115	4000	50000	35000	105	DALI
DP DALI 1500 30 W 6500 K IP65 GY	■	4058075218086	1x58W FL	30	3500	115	6500	50000	35000	105	DALI
DP DALI 1500 55 W 4000 K IP65 GY	■	4058075130999	2x58W FL	55	6400	115	4000	50000	35000	105	DALI
DP DALI 1500 55 W 6500 K IP65 GY	■	4058075210165	2x58W FL	55	6400	115	6500	50000	35000	105	DALI



Product name	CRI	IK	°	L x W x H [mm]	Ø x H [mm]
DP 1200 21 W 4000K IP65 GY	>80	IK08	1650	1200x95x78	
DP 1200 21 W 6500 K IP65 GY	>80	IK08	1650	1200x95x78	
DP 1200 39 W 4000K IP65 GY	>80	IK08	1650	1200x95x78	
DP 1200 39 W 6500K IP65 GY	>80	IK08	1650	1200x95x78	
DP 1500 30 W 4000K IP65 GY	>80	IK08	2300	1500x95x78	
DP 1500 30 W 6500 K IP65 GY	>80	IK08	2300	1500x95x78	
DP 1500 55 W 4000K IP65 GY	>80	IK08	2300	1500x95x78	
DP 1500 55 W 6500K IP65 GY	>80	IK08	2300	1500x95x78	
DP DALI 1200 21 W 4000 K IP65 GY	>80	IK08	1650	1200x95x78	
DP DALI 1200 21 W 6500 K IP65 GY	>80	IK08	1650	1200x95x78	
DP DALI 1200 39 W 4000 K IP65 GY	>80	IK08	1650	1200x95x78	
DP DALI 1200 39 W 6500 K IP65 GY	>80	IK08	1650	1200x95x78	
DP DALI 1500 30 W 4000 K IP65 GY	>80	IK08	2300	1500x95x78	
DP DALI 1500 30 W 6500 K IP65 GY	>80	IK08	2300	1500x95x78	
DP DALI 1500 55 W 4000 K IP65 GY	>80	IK08	2300	1500x95x78	
DP DALI 1500 55 W 6500 K IP65 GY	>80	IK08	2300	1500x95x78	

## DAMP PROOF 5x THROUGHWIRING

Damp-proof luminaires, classic shape with 5x2.5mm<sup>2</sup> throughwiring

Product name	Segmentation	GTIN (EAN)	RE-PLACEMENT FOR	W	lm	lm/W	K	L70 <sup>1</sup>	L80 <sup>1</sup>	°
DP 5x TH 39 W 4000 K IP65 GY	■	4058075319240	2x36W FL	39	4400	115	4000	50000	35000	105
DP 5x TH 55 W 4000 K IP65 GY	■	4058075319325	2x58W FL	55	6400	115	4000	50000	35000	105



Product name	CRI	IK	°	L x W x H [mm]	Ø x H [mm]
DP 5x TH 39 W 4000 K IP65 GY	>80	IK08	1839.3	1200x95x78	
DP 5x TH 55 W 4000 K IP65 GY	>80	IK08	2539.3	1500x95x78	

<sup>1</sup> t [h]: L70/B50 @ 25 °C (Ta) / t [h]: L80/B10 @ 25 °C (Ta)

## DAMP PROOF EMERGENCY

Damp-proof luminaires, classic shape with integrated emergency lighting function

Product name	Segmentation	GTIN (EAN)	RE-PLACEMENT FOR	W	lm	lm/W	K	L70 <sup>1</sup>	L80 <sup>1</sup>	⚡
DAMP PROOF EM 1200 21 W 4000 K AT 3H	■	4058075203969	1x36W FL	21	2400	115	4000	50000	35000	105
DAMP PROOF EM 1200 39 W 4000 K AT 3H	■	4058075203983	2x36W FL	39	4400	115	4000	50000	35000	105
DAMP PROOF EM 1200 39 W 6500 K AT 3H	■	4058075204003	2x36W FL	39	4400	115	6500	50000	35000	105
DAMP PROOF EM 1500 30 W 4000 K AT 3H	■	4058075204027	1x58W FL	30	3500	115	4000	50000	35000	105
DAMP PROOF EM 1500 55 W 4000 K AT 3H	■	4058075204041	2x58W FL	55	6400	115	4000	50000	35000	105
DAMP PROOF EM 1500 55 W 6500 K AT 3H	■	4058075204065	2x58W FL	55	6400	115	6500	50000	35000	105



Product name	CRI	IK	g	L x W x H [mm]	Ø x H [mm]
DAMP PROOF EM 1200 21 W 4000 K AT 3H	>80	IK08	2150	1200x95x78	
DAMP PROOF EM 1200 39 W 4000 K AT 3H	>80	IK08	2150	1200x95x78	
DAMP PROOF EM 1200 39 W 6500 K AT 3H	>80	IK08	2150	1200x95x78	
DAMP PROOF EM 1500 30 W 4000 K AT 3H	>80	IK08	2800	1500x95x78	
DAMP PROOF EM 1500 55 W 4000 K AT 3H	>80	IK08	2800	1500x95x78	
DAMP PROOF EM 1500 55 W 6500 K AT 3H	>80	IK08	2800	1500x95x78	

## EMERGENCY LIGHTING PROPERTIES

Product name	Battery life in emergency operation mode	Type of emergency operation test	Type of emergency light operation	Luminous flux in emergency operation mode	Type of Battery
DAMP PROOF EM 1200 21 W 4000 K AT 3H	3 h	Automatic	Maintained/Non-maintained	500 lm	LiFeP04
DAMP PROOF EM 1200 39 W 4000 K AT 3H	3 h	Automatic	Maintained/Non-maintained	500 lm	LiFeP04
DAMP PROOF EM 1200 39 W 6500 K AT 3H	3 h	Automatic	Maintained/Non-maintained	500 lm	LiFeP04
DAMP PROOF EM 1500 30 W 4000 K AT 3H	3 h	Automatic	Maintained/Non-maintained	500 lm	LiFeP04
DAMP PROOF EM 1500 55 W 4000 K AT 3H	3 h	Automatic	Maintained/Non-maintained	500 lm	LiFeP04
DAMP PROOF EM 1500 55 W 6500 K AT 3H	3 h	Automatic	Maintained/Non-maintained	500 lm	LiFeP04

<sup>1</sup> t [h]: L70/B50 @ 25 °C (Ta) / t [h]: L80/B10 @ 25 °C (Ta)

## DAMP PROOF HOUSING

Damp-proof luminaire for T8 LED lamps



### PRODUCT FEATURES

- Housing made of robust polycarbonate (PC), gray
- Suitable for SubstiTUBE EM/UN and SubstiTUBE Connected
- Luminaire housing, available for 1 or 2 T8 LED lamps
- Type of protection: IP65
- Impact resistance: IK08

### PRODUCT BENEFITS

- Sustainable solution thanks to exchangeable lamps
- Prewired for easy installation of tubular AC LED lamps
- Robust housing
- Easy and quick installation
- 5 years guarantee

### EQUIPMENT / ACCESSORIES

- All required accessories included

Product name	Segmentation	GTIN (EAN)				L x W x H [mm] Ø x H [mm]
DP HOUSING 600 1x Lamp IP65	■	4058075312395	105	IK08	600	651 x 64 x 75
DP HOUSING 600 2x Lamp IP65	■	4058075312418	105	IK08	850	651 x 103 x 75
DP HOUSING 1200 1x Lamp IP65	■	4058075312432	105	IK08	1000	1261 x 64 x 75
DP HOUSING 1200 2x Lamp IP65	■	4058075312456	105	IK08	1300	1261 x 103 x 75
DP HOUSING 1500 1x Lamp IP65	■	4058075312470	105	IK08	1300	1561 x 64 x 75
DP HOUSING 1500 2x Lamp IP65	■	4058075312494	105	IK08	1850	1561 x 103 x 75

<sup>1</sup> Refer to [www.ledvance.com/guarantee](http://www.ledvance.com/guarantee) for precise conditions

The pictures shown in the catalog are for illustration purposes only. For information on size and color, please refer to the product table.



## DAMP PROOF SPECIAL

Tubular damp-proof luminaire with extra high IP rating



### PRODUCT FEATURES

- Housing made of robust steel and UV-resistant PMMA
- Through-wiring already installed in the luminaire
- Type of protection: IP67 (DIN EN 60529), IP69K (ISO 20653:2013)
- Very long life (L80/B10): up to 80,000 h
- High luminous efficacy: up to 150 lm/W

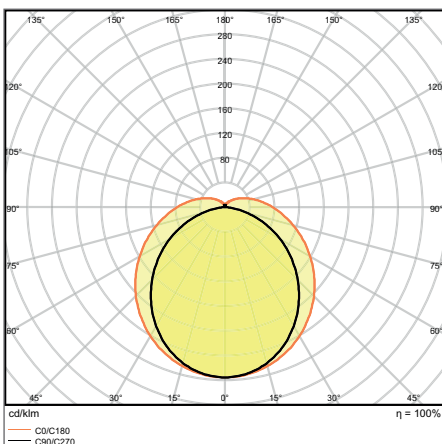
### PRODUCT BENEFITS

- Equalization valve allows for use in changing ambient humidity (up to 95 %) and temperature
- Also usable in uncovered outdoor areas
- Low flicker light thanks to special electronic control gear
- Easy installation as mounting brackets can be positioned freely on the luminaire
- 5 years guarantee

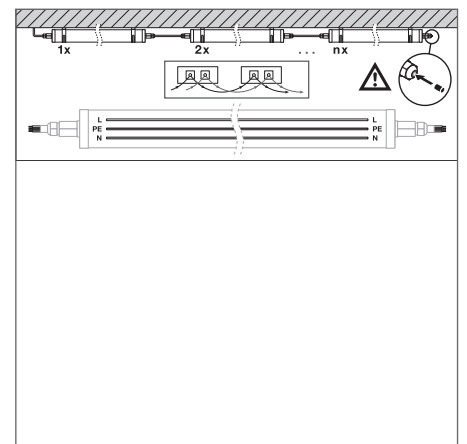
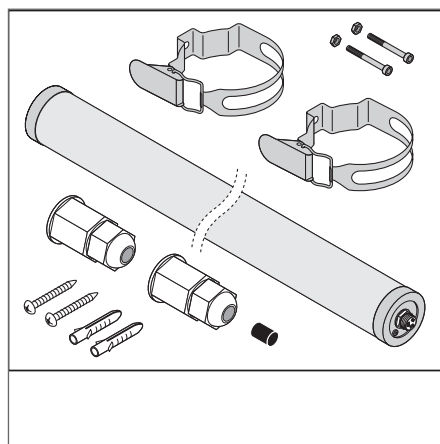
### AREAS OF APPLICATION

- Industrial and storage facilities
- Food industry
- Car parks and underpasses
- Garages
- Workshops, assembly lines

## FURTHER PRODUCT DETAILS



DP SPECIAL 1500 48 W 4000 K IP67 WT



<sup>1</sup> Refer to [www.ledvance.com/guarantee](http://www.ledvance.com/guarantee) for precise conditions

The pictures shown in the catalog are for illustration purposes only. For information on size and color, please refer to the product table.

Product name	Segmentation	GTIN (EAN)	RE-PLACE-MENT-FOR	W	lm	lm/W	K	L70 <sup>1</sup>	L80 <sup>1</sup>	°
DP SPECIAL 1200 36 W 4000 K IP67 WT	■	4058075136250	2x36W FL	36	5400	145	4000	100000	80000	120
DP SPECIAL 1500 48 W 4000 K IP67 WT	■	4058075136274	2x58W FL	48	7200	145	4000	100000	80000	120



Product name	CRI	IK	ⓘ	L x W x H [mm] Ø x H [mm]
DP SPECIAL 1200 36 W 4000 K IP67 WT	>80	IK06	1400	72 x 1200
DP SPECIAL 1500 48 W 4000 K IP67 WT	>80	IK06	1800	72 x 1500

<sup>1</sup> t [h]: L70/B50 @ 25 °C (Ta) / t [h]: L80/B10 @ 25 °C (Ta)

## DAMP PROOF SLIM VALUE

Damp-proof luminaire with slim housing



### PRODUCT FEATURES

- Polycarbonate housing with stainless steel mounting brackets and suspension and anti-theft kit
- Type of protection: IP65
- Wide beam angle: 120°
- High luminous efficacy: up to 110 lm/W

### PRODUCT BENEFITS

- Homogeneous quality of light with a wide beam angle
- Easy installation as mounting brackets can be positioned freely on the luminaire
- Easy access to electrical terminal thanks end caps with clip mechanism
- Elegant, slim design
- Tool-free electrical connection due to push button connector

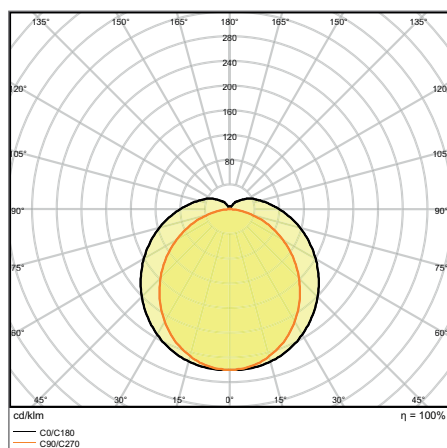
### AREAS OF APPLICATION

- Industrial and storage facilities
- Car parks and underpasses
- Garages
- Workshops, assembly lines

### EQUIPMENT / ACCESSORIES

- Stainless steel clamps with safety screws included
- Mounting accessories included (suspension kit, theft protection kit)

## FURTHER PRODUCT DETAILS



DP SLIM VALUE 1500 50 W 4000 K IP65 GY

<sup>1</sup> Refer to [www.ledvance.com/guarantee](http://www.ledvance.com/guarantee) for precise conditions

The pictures shown in the catalog are for illustration purposes only. For information on size and color, please refer to the product table.

Product name	Segmentation	GTIN (EAN)	RE-PLACE-MENT-FOR	W	lm	lm/W	K	L70 <sup>1</sup>	L80 <sup>1</sup>	△
DP SLIM VALUE 1200 36 W 4000 K IP65 GY	■	4058075066458	2x36W FL	36	4000	110	4000	30000	27000	120
DP SLIM VALUE 1200 36 W 6500 K IP65 GY	■	4058075066472	2x36W FL	36	4000	110	6500	30000	27000	120
DP SLIM VALUE 1500 50 W 4000 K IP65 GY	■	4058075066496	2x58W FL	50	5500	110	4000	30000	27000	120
DP SLIM VALUE 1500 50 W 6500 K IP65 GY	■	4058075066519	2x58W FL	50	5500	110	6500	30000	27000	120



Product name	CRI	IK	L x W x H [mm] Ø x H [mm]
DP SLIM VALUE 1200 36 W 4000 K IP65 GY	>80	IK08	1200 x 35 x 48
DP SLIM VALUE 1200 36 W 6500 K IP65 GY	>80	IK08	1200 x 35 x 48
DP SLIM VALUE 1500 50 W 4000 K IP65 GY	>80	IK08	1500 x 35 x 48
DP SLIM VALUE 1500 50 W 6500 K IP65 GY	>80	IK08	1500 x 35 x 48

<sup>1</sup> t [h]: L70/B50 @ 25 °C (Ta) / t [h]: L80/B10 @ 25 °C (Ta)

## DAMP PROOF VALUE

Damp-proof luminaires, classic shape



### PRODUCT FEATURES

- High luminous efficacy: up to 120 lm/W
- Type of protection: IP65
- Beam angle: 115°
- Through wiring possible
- Polycarbonate housing

### PRODUCT BENEFITS

- Evenly distributed light
- Energy savings of up to 50 % (compared to luminaires that use fluorescent lamps)
- Easy installation, no tools required for connection
- 3 years guarantee

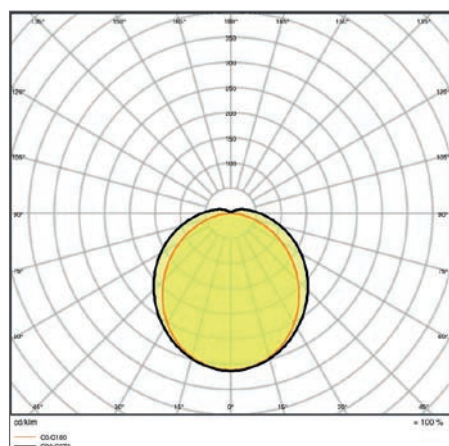
### AREAS OF APPLICATION

- Industrial and storage facilities
- Car parks and underpasses
- Garages
- Workshops, assembly lines

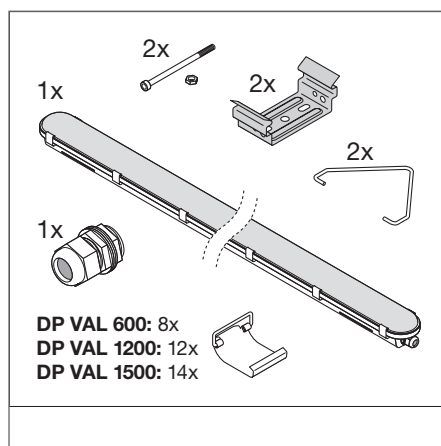
### EQUIPMENT / ACCESSORIES

- Stainless steel clamps with safety screws included
- Mounting accessories included (suspension kit, theft protection kit)

## FURTHER PRODUCT DETAILS



DP VAL 1800 70 W 4000 K IP65



<sup>1</sup> Refer to [www.ledvance.com/guarantee](http://www.ledvance.com/guarantee) for precise conditions

The pictures shown in the catalog are for illustration purposes only. For information on size and color, please refer to the product table.

Product name	Segmentation	GTIN (EAN)	RE-PLACEMENT FOR	W	lm	lm/W	K	L70 <sup>1</sup>	°
DP VAL 600 9 W 4000 K IP65	■	4058075300705	1x18W FL	9	1080	120	4000	50000	115
DP VAL 600 18 W 4000 K IP65	■	4058075300743	2x18W FL	18	2160	120	4000	50000	115
DP VAL 1200 20 W 4000 K IP65	■	4058075300781	1x36W FL	20	2400	120	4000	50000	115
DP VAL 1200 40 W 4000 K IP65	■	4058075300828	2x36W FL	40	4800	120	4000	50000	115
DP VAL 1500 25 W 4000 K IP65	■	4058075300866	1x58W FL	25	3000	120	4000	50000	115
DP VAL 1500 50 W 4000 K IP65	■	4058075300903	2x58W FL	50	6000	120	4000	50000	115



Product name	CRI	IK	g	L x W x H [mm]	Ø x H [mm]
DP VAL 600 9 W 4000 K IP65	<80	IK08	635	600 x 77 x 66	
DP VAL 600 18 W 4000 K IP65	<80	IK08	655	600 x 77 x 66	
DP VAL 1200 20 W 4000 K IP65	<80	IK08	1485	1200 x 77 x 66	
DP VAL 1200 40 W 4000 K IP65	<80	IK08	1485	1200 x 77 x 66	
DP VAL 1500 25 W 4000 K IP65	<80	IK08	2000	1500 x 77 x 66	
DP VAL 1500 50 W 4000 K IP65	<80	IK08	2000	1500 x 77 x 66	

<sup>1</sup> t [h]: L70/B50 @ 25 °C (Ta) / t [h]: L80/B10 @ 25 °C (Ta)