

ESTRELLA

ESTRELLA is a unique lighting solution that boasts a special design in its shielding angle and beam angle, giving a glare-free manner of lighting. Crafted with precision from Die Cutting Aluminum, the light is both durable and elegant. The Plastic defuser further adds to the functionality by dispersing light evenly in various angles. This lighting solution provides a perfect balance of brightness and ease on the eyes, making it perfect for any setting, whether it be for home, office or commercial spaces. ESTRELLA's sleek design adds to any décor and provides the perfect amount of illumination for any circumstance.

TYPE

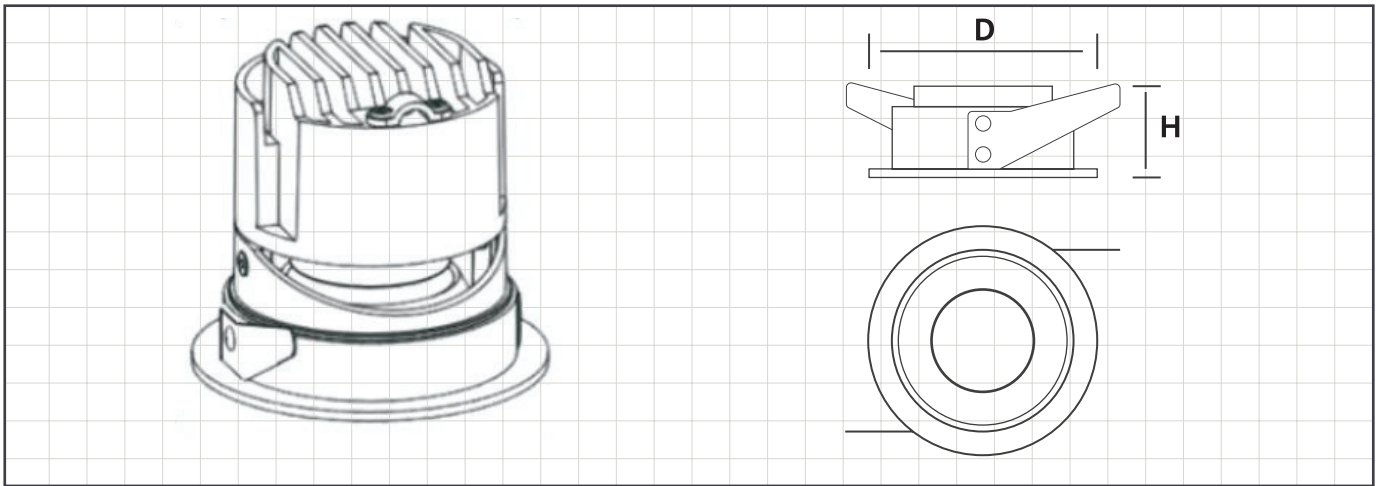
SpotLight - Recessed



■ Technical Specification

	LV-SPTL-7w	LV-SPTL-12w	LV-SPTL-20w
Power	7W	12W	20W
Efficiency	130 lm/w	130 lm/w	130 lm/w
LUMINOUS: flux [lm]	910	1560	2600
CRI	≥90	≥90	≥90
Inbut Voltage	AC 85-265V	AC 85-265V	AC 85-265V
Beam Angel	15°/24°/38°	15°/24°/38°	15°/24°/38°
Chip	Osram	Osram	Osram
Driver	Lifud	Lifud	Lifud
Body Color	White / Black	White / Black	White / Black
Dimension	D68*H68mm	D86*H92mm	D107*H110mm
Cut-Out	60mm	80mm	100mm
EAN	6925222022132	6925222022156	6925222022163

■ Technical Drawing



■ Features



15° Beam Angel 24° Beam Angel 38° Beam Angel



A moving body at an angle of 25

Driver Brand Options  







Chip Brand Options  









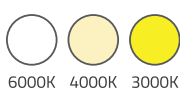

IP20



NO FLICKER



CCT



Body color



Life Span
50000h



Efficiency
90 lm/w

Application



House



Restaurant



companies



Store