

LINEAR LUMINAIRES

HIGH LEVELS OF COMFORT AND FLEXIBILITY

LINEAR SURFACE IP44

Page 100

LINEAR SURFACE IP44
LINEAR SURFACE IP44 EMERGENCY

PERFOR-
MANCE
CLASS



IDEAL FOR SPECIAL APPLICATIONS WITH A HIGH DEGREE OF PROTECTION

- Robust IP44 and IK08 luminaire with integrated driver for surface and pendant mounting
- Replacement for traditional 2/36 W and 2/58 W versions
- Also available with 3-hour single battery on request (please note longer delivery time)

LINEAR ULTRA OUTPUT

Page 104

PERFOR-
MANCE
CLASS



EXCELLENT LIGHT OUTPUT

- Replacement of conventional T8 luminaires: equivalent to 2/36 W, 1/58 W, 2/58 W and 2 x 80 W depending on the version
- Robust housing with IK08
- Optional reflector accessories and numerous wiring options for flexible applications

LINEAR COMPACT

Page 108

LINEAR COMPACT BATTEN
LINEAR COMPACT HIGH OUTPUT
LINEAR COMPACT SWITCH

VALUE
CLASS

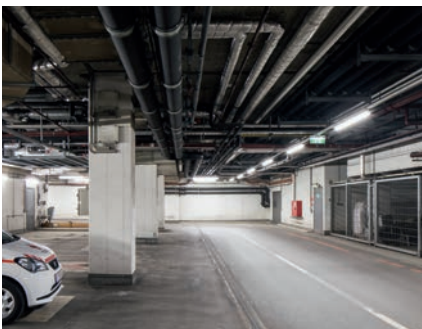


COMPACT AND VERSATILE

- Flexible strip lighting versions possible, plug-in (High Output and Switch) or with wiring (Batten)
- Many options for fast and flexible mounting through extensive accessories
- High luminous flux of up to 2,500 lm

WHICH LUMINAIRE IS SUITABLE FOR WHICH APPLICATION?

LINEAR SURFACE IP44



General lighting and special applications requiring a high degree of protection

LINEAR ULTRA OUTPUT



Industry, general lighting

LINEAR COMPACT



Cove lighting, shop and hospitality



LINEAR SURFACE IP44

Surface mounted luminaire with IP44



PRODUCT FEATURES

- Housing made of white (similar to RAL 9010) painted sheet steel with UV-stable opal PC diffusor
- Feed from side or rear, through-wiring 5 x 2.5 sqmm possible
- End cap made of polycarbonate, white, mounted with 2 screws for more secure installation
- Lifetime (L70/ B50): up to 60,000 h
- Luminaire efficacy: up to 110 lm/W

PRODUCT BENEFITS

- Robust IP44 and IK08 luminaire with integrated driver for surface and suspended mounting
- Replacement for traditional 2/36 W and 2/58W versions
- Also available with 3-hour single battery on request (please note longer delivery time)
- All versions with 5-year guarantee, except emergency version: 3 years (built-in 3h battery)

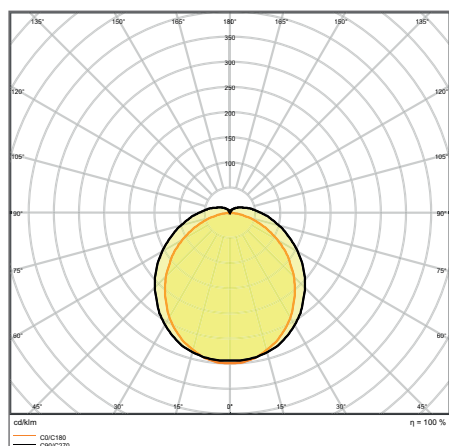
AREAS OF APPLICATION

- Efficient replacement for traditional T8 and T5 luminaires
- Public buildings
- General illumination
- Libraries, schools

EQUIPMENT / ACCESSORIES

- Accessories for suspension available*

FURTHER PRODUCT DETAILS



LN SF IP44 EM 1500 43 W 3000 K WT

* Please note: available = available as an optional accessory.

The pictures shown in the catalog are for illustration purposes only. For information on size and color, please refer to the product table.

LINEAR SURFACE IP44

Robust IP44 luminaires with direct light emission and integrated driver for surface or suspended applications

Product name	Segmentation	GTIN (EAN)	RE-PLACE-MENT FOR	W	lm	lm/W	K	L70 ¹	L80 ¹	△
NEW LN SF IP44 1200 36 W 3000 K WT	■	4058075352872	2x28W FL	36	4000	110	3000	60000	40000	120
NEW LN SF IP44 1200 36 W 4000 K WT	■	4058075352896	2x28W FL	36	4000	110	4000	60000	40000	120
NEW LN SF IP44 1500 43 W 3000 K WT	■	4058075352919	2x28W FL	43	5000	115	3000	60000	40000	120
NEW LN SF IP44 1500 43 W 4000 K WT	■	4058075352933	2x28W FL	43	5000	115	4000	60000	40000	120



Product name	CRI	FLICKER VALUE	IK	9	L x W x H [mm] Ø x H [mm]
NEW LN SF IP44 1200 36 W 3000 K WT	≥80	<10 %	IK08	2300	1199x145x64.5
NEW LN SF IP44 1200 36 W 4000 K WT	≥80	<10 %	IK08	2300	1199x145x64.5
NEW LN SF IP44 1500 43 W 3000 K WT	≥80	<10 %	IK08	2700	1499x145x64.5
NEW LN SF IP44 1500 43 W 4000 K WT	≥80	<10 %	IK08	2700	1499x145x64.5

LINEAR SURFACE IP44 EMERGENCY

Robust IP44 luminaires with direct light emission, integrated driver and integrated emergency lighting function

Product name	Segmentation	GTIN (EAN)	RE-PLACE-MENT FOR	W	lm	lm/W	K	L70 ¹	L80 ¹	△
NEW LN SF IP44 EM 1200 36 W 3000 K WT	■	4058075402959	2x28W FL	36	4000	100	3000	60000	40000	120
NEW LN SF IP44 EM 1200 36 W 4000 K WT	■	4058075402973	2x28W FL	36	4000	100	4000	60000	40000	120
NEW LN SF IP44 EM 1500 43 W 3000 K WT	■	4058075402997	2x28W FL	43	5000	110	3000	60000	40000	120
NEW LN SF IP44 EM 1500 43 W 4000 K WT	■	4058075403017	2x28W FL	43	5000	110	4000	60000	40000	120



Product name	CRI	FLICKER VALUE	IK	9	L x W x H [mm] Ø x H [mm]
NEW LN SF IP44 EM 1200 36 W 3000 K WT	≥80	<10 %	IK08	2400	1199x145x64.5
NEW LN SF IP44 EM 1200 36 W 4000 K WT	≥80	<10 %	IK08	2400	1199x145x64.5
NEW LN SF IP44 EM 1500 43 W 3000 K WT	≥80	<10 %	IK08	2800	1499x145x64.5
NEW LN SF IP44 EM 1500 43 W 4000 K WT	≥80	<10 %	IK08	2800	1499x145x64.5

EMERGENCY LIGHTING PROPERTIES

Product name	Battery life in emergency operation mode	Type of emergency operation test	Type of emergency light operation	Luminous flux in emergency operation mode	Type of Battery
LN SF IP44 EM 1200 36 W 3000 K WT	3 h	Automatic	Maintained/Non-maintained	350 lm	LiFeP04
LN SF IP44 EM 1200 36 W 4000 K WT	3 h	Automatic	Maintained/Non-maintained	350 lm	LiFeP04
LN SF IP44 EM 1500 43 W 3000 K WT	3 h	Automatic	Maintained/Non-maintained	375 lm	LiFeP04
LN SF IP44 EM 1500 43 W 4000 K WT	3 h	Automatic	Maintained/Non-maintained	375 lm	LiFeP04

¹ t [h]: L70/B50 @ 25 °C (Ta) / t [h]: L80/B10 @ 25 °C (Ta)



LINEAR SURFACE ACCESSORIES

Mounting accessories for LINEAR SURFACE luminaires



- Suspension Kit:
transp. cable 5-wire, 2 x wire suspension
1.5 m + ceiling rose with terminal
- Suspension Wire:
1 x Y wire suspension 1.5 m

Product name		GTIN (EAN)	L x W x H [mm] Ø x H [mm]	MATERIAL	COLOR		No.
NEW	LN SF Suspension Kit	4058075352957	40 x -	Steel	Steel	1	1
NEW	LN SF Suspension Wire	4058075390089	1 x -	Steel	Steel	1	2

¹ Refer to www.ledvance.com/guarantee for precise conditions



LINEAR ULTRA OUTPUT

Surface luminaire with high lumen output and high lumenous efficacy



PRODUCT FEATURES

- Housing made of robust white sheet steel, end cap and opal diffuser made of polycarbonate (PC)
- Versions with luminous flux between 3500 and 7100 lm available
- Very high luminous efficacy: up to 125 lm/W
- Through-wiring possible
- Tool-free installation by push button terminal and simple click system of the diffuser

PRODUCT BENEFITS

- Replacement of conventional T8 luminaires: equivalent to 2/36W, 1/58W, 2/58W and 2x80W
- Robust structure with IK08
- Optional reflector accessory and multiple wiring possibilities for flexible applications
- Energy savings of up to 60 % compared to luminaires that use CFL
- 5 years guarantee

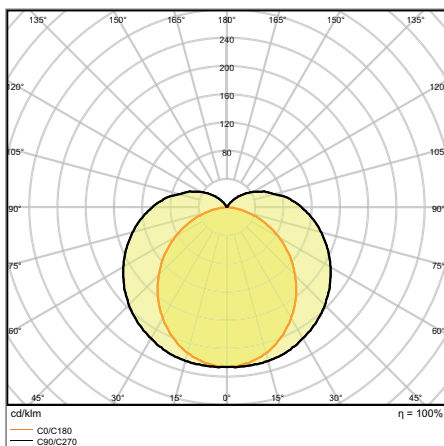
AREAS OF APPLICATION

- Direct replacement for luminaires with fluorescent lamps
- Indoor applications
- Industrial and commercial halls
- Public areas
- Corridors, stairwells, basements

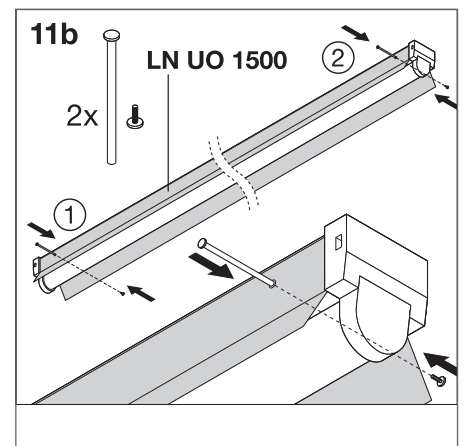
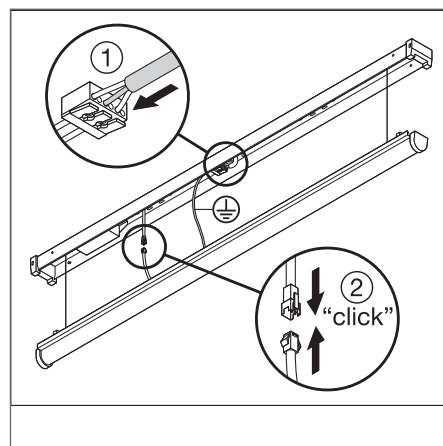
EQUIPMENT / ACCESSORIES

- Reflector for high ceilings or asymmetric light emission available* separately (1500 mm version)
- Mounting screws and dowels included

FURTHER PRODUCT DETAILS



LN UO 1500 60 W 4000 K



* Please note: available = available as an optional accessory.
 † Refer to www.ledvance.com/guarantee for precise conditions

The pictures shown in the catalog are for illustration purposes only. For information on size and color, please refer to the product table.

Product name	Segmentation	GTIN (EAN)	RE-PLACE-MENT-FOR	W	lm	lm/W	K	L70 ¹	L80 ¹	°
LN UO 1200 33 W 3000 K	■	4058075122147	2x36W FL	33	3700	110	3000	50000	40000	110
LN UO 1200 33 W 4000 K	■	4058075122161	2x36W FL	33	4000	120	4000	50000	40000	110
LN UO 1500 30 W 3000 K	■	4058075122185	1x58W FL	30	3500	115	3000	50000	40000	110
LN UO 1500 30 W 4000 K	■	4058075122208	1x58W FL	30	3800	125	4000	50000	40000	110
LN UO 1500 46 W 3000 K	■	4058075122222	2x58W FL	46	5000	110	3000	50000	40000	110
LN UO 1500 46 W 4000 K	■	4058075122246	2x58W FL	46	5500	120	4000	50000	40000	110
LN UO 1500 60 W 3000 K	■	4058075122260	2x80W FL	60	6600	110	3000	50000	40000	110
LN UO 1500 60 W 4000 K	■	4058075122284	2x80W FL	60	7100	120	4000	50000	40000	110



Product name	CRI	IK	9	L x W x H [mm] Ø x H [mm]
LN UO 1200 33 W 3000 K	≥80	IK08	1500	1168x62x74
LN UO 1200 33 W 4000 K	≥80	IK08	1500	1168x62x74
LN UO 1500 30 W 3000 K	≥80	IK08	1800	1458x62x74
LN UO 1500 30 W 4000 K	≥80	IK08	1800	1458x62x74
LN UO 1500 46 W 3000 K	≥80	IK08	1850	1458x62x74
LN UO 1500 46 W 4000 K	≥80	IK08	1850	1458x62x74
LN UO 1500 60 W 3000 K	≥80	IK08	1850	1458x62x74
LN UO 1500 60 W 4000 K	≥80	IK08	1850	1458x62x74

¹ t [h]: L70/B50 @ 25 °C (Ta) / t [h]: L80/B10 @ 25 °C (Ta)



LINEAR ULTRA OUTPUT ACCESSORIES

Symmetric/asymmetric reflector for Linear Ultra Output 1500 mm version



- Allows a symmetric light distribution with beam angle 80°
- Reflector for symmetric (both sides) or asymmetric (one side) mounting

Product name	GTIN (EAN)	L x W x H [mm] ∅ x H [mm]	MATERIAL	COLOR	Beam angle	Quantity
LN UO 1500 REFLECTOR	4058075133389	1420 x 66 x 20	Steel	White	80	2

¹ Refer to www.ledvance.com/guarantee for precise conditions



LINEAR COMPACT

Compact single or light line luminaire



PRODUCT FEATURES

- Housing made of durable polycarbonate
- High Output and Switch: fast and seamless connection up to a maximum of 10 luminaires per strip
- Batten: lighting strip with connection via the rear of the luminaire with up to 60 luminaires
- Up to 4 different lengths available
- Glow Wire Test according to IEC 60695-2-12: 850 °C

PRODUCT BENEFITS

- Flexible strip lighting versions possible, plug-in (High Output and Switch) or with wiring (Batten)
- Many options for fast and flexible mounting through extensive accessories
- Hoher Lichtstrom bis zu 2500 lm
- Low flicker light thanks to special electronic control gear
- 5 years guarantee

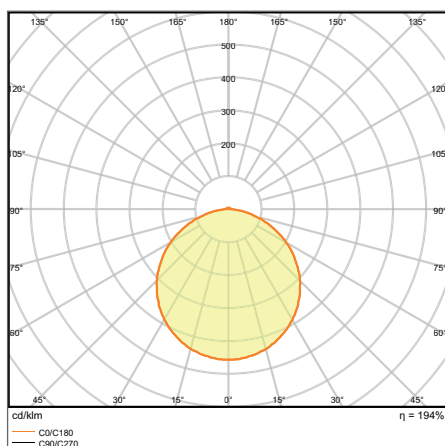
AREAS OF APPLICATION

- Direct replacement for luminaires with fluorescent lamps
- Indoor applications
- Accent lighting
- Public areas

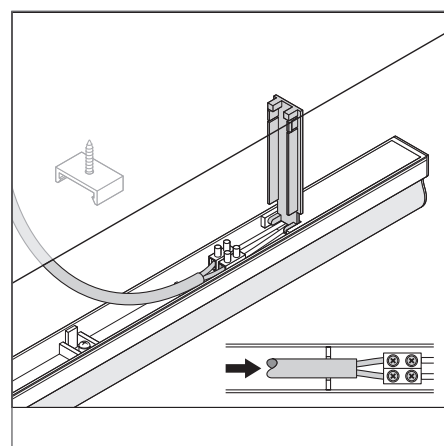
EQUIPMENT / ACCESSORIES

- Equipped with power plug, cable connector and line adapter for connecting further luminaires*
- Mounting material for wall and ceiling installations included

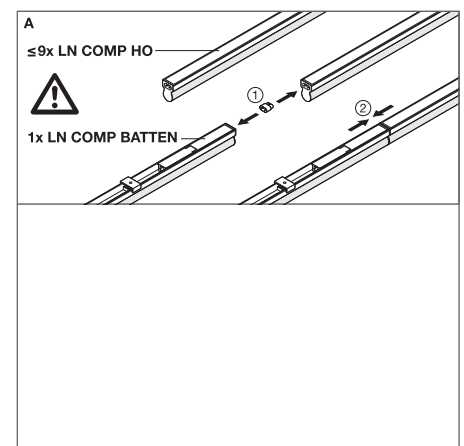
FURTHER PRODUCT DETAILS



LN COMP Batten 1500 25 W 3000 K



LN COMP Batten



* Applies only to Linear Compact HO and Switch
 † Refer to www.ledvance.com/guarantee for precise conditions

The pictures shown in the catalog are for illustration purposes only. For information on size and color, please refer to the product table.

LINEAR COMPACT SWITCH

Compact single or light line luminaire with switch

Product name	Segmentation	GTIN (EAN)	RE-PLACEMENT FOR	W	lm	lm/W	K	L70 ¹	L80 ¹	°
LN COMP SWITCH 300 4 W 3000 K	■	4058075106079	1x9W FL	4	400	100	3000	50000	40000	140
LN COMP SWITCH 300 4 W 4000 K	■	4058075106093	1x9W FL	4	450	110	4000	50000	40000	140
LN COMP SWITCH 600 8 W 3000 K	■	4058075106116	1x18 W FL	8	800	100	3000	50000	40000	140
LN COMP SWITCH 600 8 W 4000 K	■	4058075106130	1x18 W FL	8	800	100	4000	50000	40000	140
LN COMP SWITCH 900 12 W 3000 K	■	4058075106192	1x30W FL	12	1200	100	3000	50000	40000	140
LN COMP SWITCH 900 12 W 4000 K	■	4058075106215	1x30W FL	12	1200	100	4000	50000	40000	140
LN COMP SWITCH 1200 14 W 3000 K	■	4058075106154	1x36W FL	14	1400	100	3000	50000	40000	140
LN COMP SWITCH 1200 14 W 4000 K	■	4058075106178	1x36W FL	14	1500	100	4000	50000	40000	140



Product name	CRI	FLICKER VALUE	L x W x H [mm] Ø x H [mm]
LN COMP SWITCH 300 4 W 3000 K	>80	<5 %	313x28x36
LN COMP SWITCH 300 4 W 4000 K	>80	<5 %	313x28x36
LN COMP SWITCH 600 8 W 3000 K	>80	<5 %	573x28x36
LN COMP SWITCH 600 8 W 4000 K	>80	<5 %	573x28x36
LN COMP SWITCH 900 12 W 3000 K	>80	<5 %	873x28x36
LN COMP SWITCH 900 12 W 4000 K	>80	<5 %	873x28x36
LN COMP SWITCH 1200 14 W 3000 K	>80	<5 %	1173x28x36
LN COMP SWITCH 1200 14 W 4000 K	>80	<5 %	1173x28x36

LINEAR COMPACT HIGH OUTPUT

Compact single or light line luminaire with high luminous flux

Product name	Segmentation	GTIN (EAN)	RE-PLACEMENT FOR	W	lm	lm/W	K	L70 ¹	L80 ¹	°
LN COMP HO 600 10 W 3000 K	■	4058075106277	1x18W FL	10	1000	100	3000	50000	40000	140
LN COMP HO 600 10 W 4000 K	■	4058075106291	1x18W FL	10	1000	100	4000	50000	40000	140
LN COMP HO 900 15 W 3000 K	■	4058075106239	1x30W FL	15	1500	100	3000	50000	40000	140
LN COMP HO 900 15 W 4000 K	■	4058075106253	1x30W FL	15	1500	100	4000	50000	40000	140
LN COMP HO 1200 20 W 3000 K	■	4058075106314	1x36W FL	20	2000	100	3000	50000	40000	140
LN COMP HO 1200 20 W 4000 K	■	4058075106338	1x36W FL	20	2000	100	4000	50000	40000	140
LN COMP HO 1500 25 W 3000 K	■	4058075106352	1x58W FL	25	2500	100	3000	50000	40000	140
LN COMP HO 1500 25 W 4000 K	■	4058075106376	1x58W FL	25	2500	100	4000	50000	40000	140



Product name	CRI	L x W x H [mm] Ø x H [mm]
LN COMP HO 600 10 W 3000 K	>80	573x24x36
LN COMP HO 600 10 W 4000 K	>80	573x24x36
LN COMP HO 900 15 W 3000 K	>80	873x24x36
LN COMP HO 900 15 W 4000 K	>80	873x24x36
LN COMP HO 1200 20 W 3000 K	>80	1173x24x36
LN COMP HO 1200 20 W 4000 K	>80	1173x24x36
LN COMP HO 1500 25 W 3000 K	>80	1473x24x36
LN COMP HO 1500 25 W 4000 K	>80	1473x24x36

¹ t [h]: L70/B50 @ 25 °C (Ta) / t [h]: L80/B10 @ 25 °C (Ta)

LINEAR COMPACT BATTEN

Compact luminaires with a wiring on the back side

Product name	Segmentation	GTIN (EAN)	RE-PLACEMENT FOR	W	lm	lm/W	K	L70 ¹	L80 ¹	△
LN COMP Batten 600 10 W 3000 K	■	4058075099692	1x18W FL	10	1000	100	3000	50000	40000	140
LN COMP Batten 600 10 W 4000 K	■	4058075099715	1x18W FL	10	1000	100	4000	50000	40000	140
LN COMP Batten 1200 20 W 3000 K	■	4058075099739	1x36W FL	20	2000	100	3000	50000	40000	140
LN COMP Batten 1200 20 W 4000 K	■	4058075099753	1x36W FL	20	2000	100	4000	50000	40000	140
LN COMP Batten 1500 25 W 3000 K	■	4058075099777	1x58W FL	25	2500	100	3000	50000	40000	140
LN COMP Batten 1500 25 W 4000 K	■	4058075099791	1x58W FL	25	2500	100	4000	50000	40000	140

Product name	CRI	L x W x H [mm] Ø x H [mm]
LN COMP Batten 600 10 W 3000 K	>80	575 x 27 x 38
LN COMP Batten 600 10 W 4000 K	>80	575 x 27 x 38
LN COMP Batten 1200 20 W 3000 K	>80	1175 x 27 x 38
LN COMP Batten 1200 20 W 4000 K	>80	1175 x 27 x 38
LN COMP Batten 1500 25 W 3000 K	>80	1475 x 27 x 38
LN COMP Batten 1500 25 W 4000 K	>80	1475 x 27 x 38

¹ t [h]: L70/B50 @ 25 °C (Ta) / t [h]: L80/B10 @ 25 °C (Ta)

