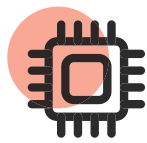


LV-LED STADIUM LAMP

This LED area light only uses Premium grade LED components. High strength housing make this an industrial grade LED Parking lot lights or Shoebox light. Light can be dimmed to ideal brightness levels to save energy and get the light levels for your area. Includes a flood mount bracket that can be adjusted all the way forward and back . Light can also be used on a building, for sports fields, roadways or any other use. Highly versatile light.

■ Technical Specification

Power	50W	100W	150W	200W	250W	300W	400W	500W	600W
Net weight	1.22kg	1.82kg	2.42kg	3.04kg	3.74kg	4.36kg	6.24kg	6.40kg	7.30kg
Gross weight	1.41kg	2.15kg	2.83kg	3.44kg	4.17kg	4.85kg	6.81kg	8.78kg	9.88kg
Material	Aluminum body								
Lumen effect	110-120lm/w								
Waterproof	IP66								
Voltage	90-270V , 50Hz								
CRI	≥80								
PF	>0.95								
Storage Temperatures	-40°C ~ 50°C								
Driver brand	MEANWELL					EAN			
Dimension	50W (D340*76*H220mm)					6925222075664			
	100W (D340*156*H220mm)					6925222075640			
	150W (D340*236*H220mm)					6925222075688			
	200W (D340*316*H220mm)					6925222075695			
	250W (D340*396*H220mm)					6925222075619			
	300W (D340*472*H220mm)					6925222075626			
	400W (D660*316*H260mm)					6925222075671			
	500W (D660*396*H260mm)					6925222075602			
	600W (D660*472*H260mm)					6925222075657			



Smart Chip



LED Highlight
Beads



Anti-throw
material



Waterproof
IP66



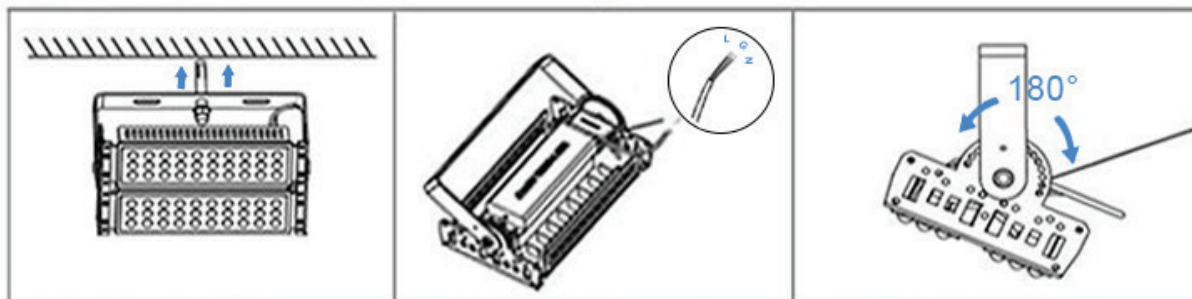
Long life



Wide range of
illumination

INSTALLATION DIAGRAM

Simple and convenient installation



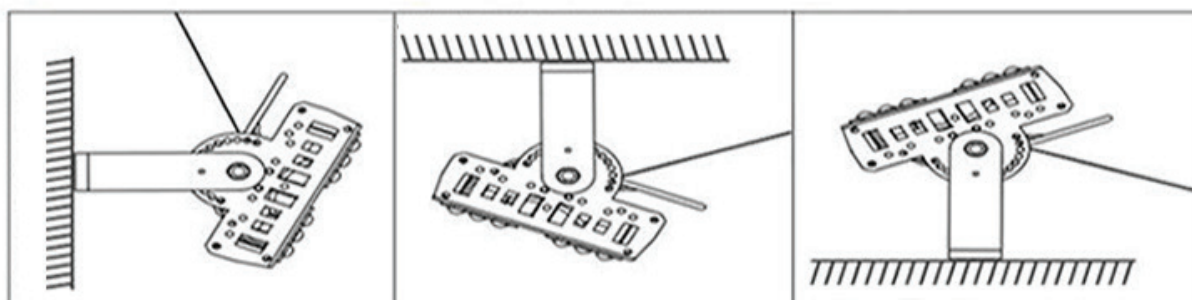
① Fix with screws

② Connect the wires

③ Adjust the angle

INSTALLATION METHOD

Three installation methods to meet the needs of different occasions



wall mounted

Pedestal Mount

Sit-stand installation



PRODUCT DISPLAY

Various wattages to meet your different occasion needs

50W



100W



150W



200W



250W



300W



600W

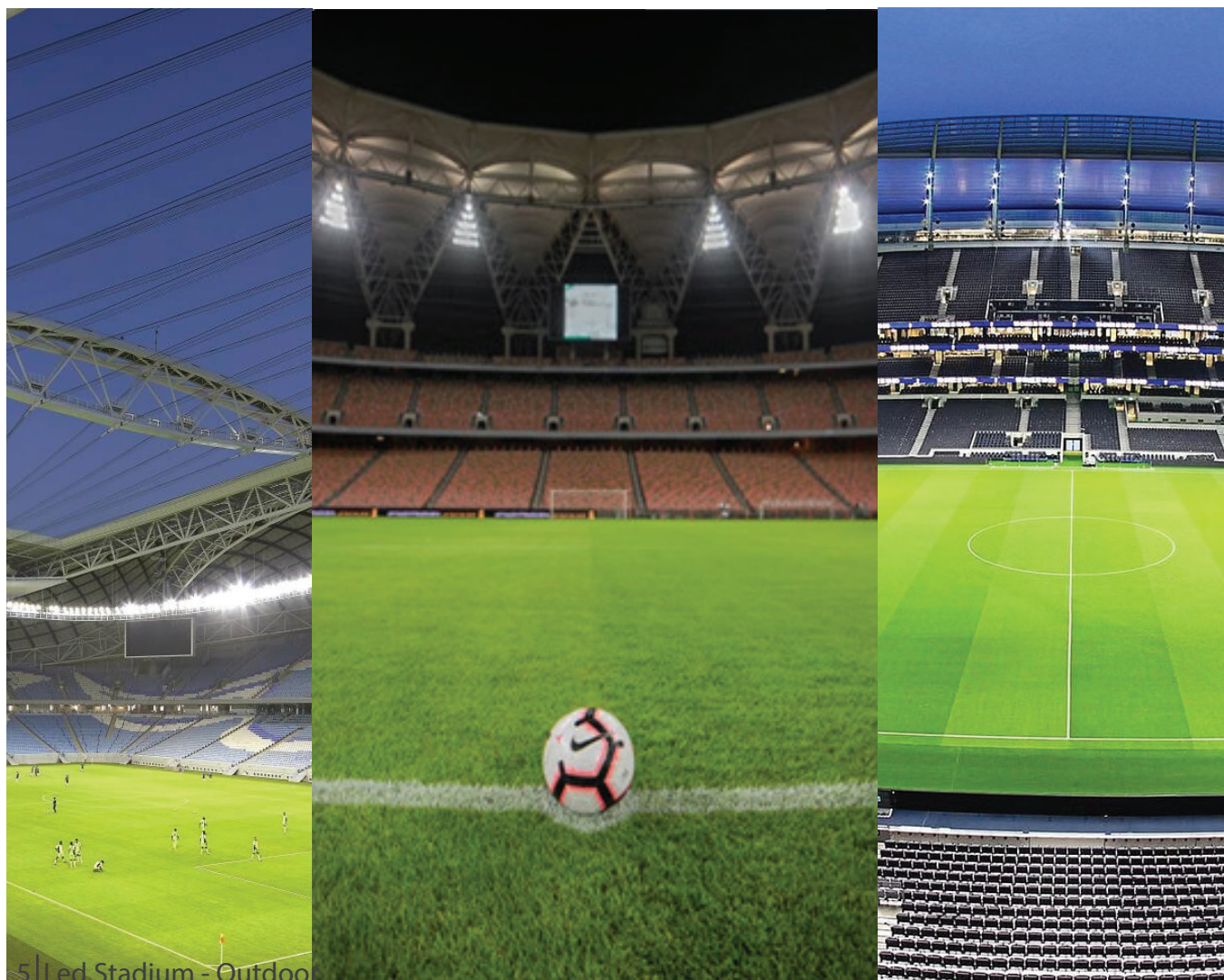


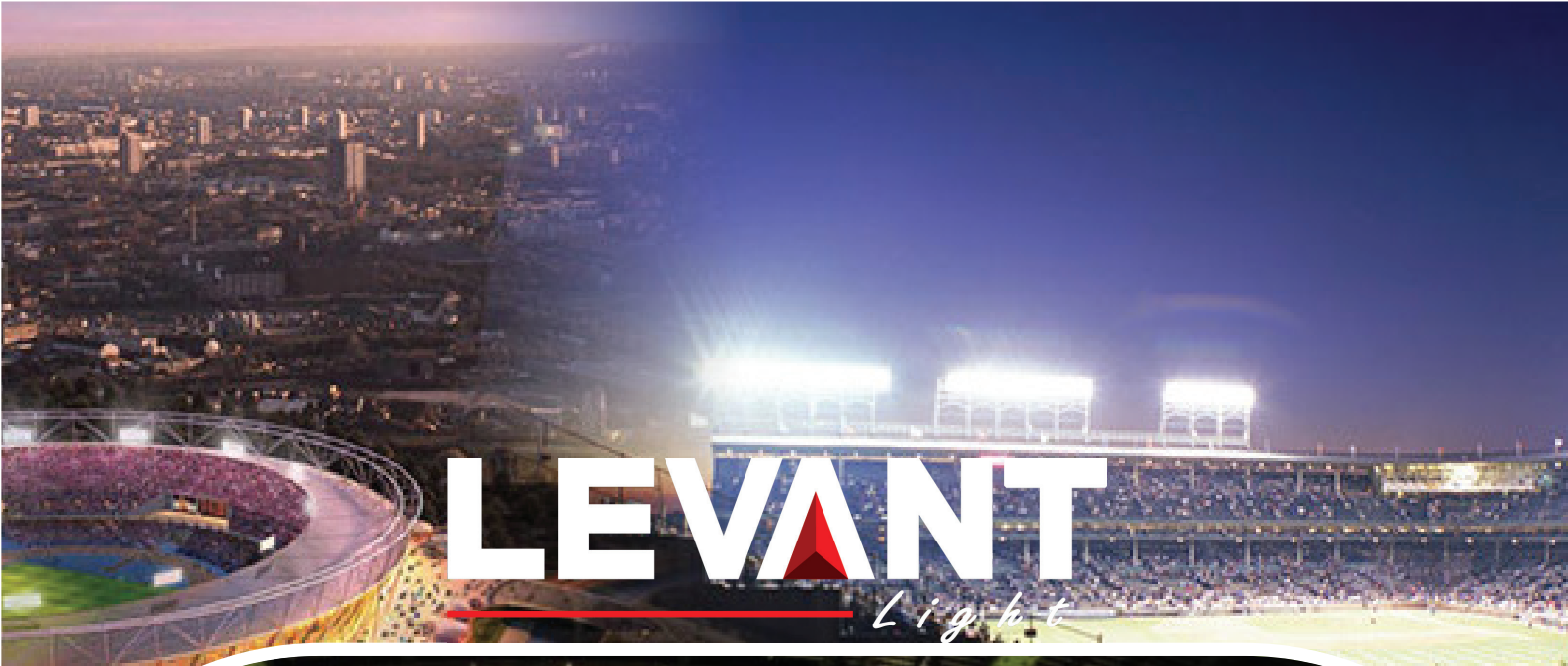


IP66

Rainproof and Dustproof grade

HIGH EFFICIENCY





LEVANT

Light

