

All of the lights on the rail can be free movement. You can move the position of each light at any time according to your needs.

Compared with the 110V 220V Magnetic led track light, it is a DC48V Magnetic track lighting system, it is safe even if you touched it when it is working.

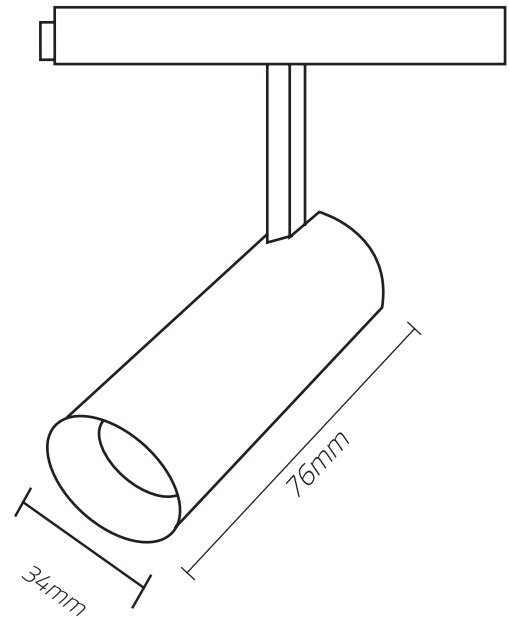


# MAGNETIC LIGHT

## ■ Technical Specification

	LV-MGLT-6W	LV-MGLT-12W	LV-MGLT-15W	LV-MGLT-20W	LV-MGLT-30W
Power:	6W	12W	15W	20W	30W
Luminous: flux [Lm]	90 lm/w	90 lm/w	90 lm/w	90 lm/w	90 lm/w
CRI:	>90	>90	>90	>90	>90
Input Voltage:	48V	48V	48V	48V	48V
Chip:	Osram	Osram	Osram	Osram	Osram
Dimensions:	D34*H76 mm	D45*H76 mm	D48*H121 mm	D58*H135 mm	D68*H155 mm
EAN	6925222092005	6925222092012	6925222092029	6925222092036	6925222092043

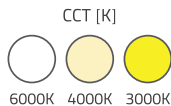
## ■ Technical Drawing and Features



IP20



NO FLICKER



CCT [K]

6000K 4000K 3000K

Body color



Life Span  
35000h



Application



Shopping market



Restaurant



Office



House