


# PANEL LUMINAIRES


## SUITABLE FOR EVERY NEED: OUR FUNCTIONAL PANELS



**PERFORMANCE CLASS**

**1. PANEL INDIVILED®**  
Page 66


The panel luminaire for perfectionists: perfect lighting and SCALE design



**PERFORMANCE CLASS**

**2. PANEL IP54**  
Page 68

The tough panel luminaire: IP54 and resistant PMMA surface



**PERFORMANCE CLASS**

**3. PANEL PERFORMANCE HIGH OUTPUT (HO)**  
Page 70

The panel luminaire for excellent savings: high light output and high efficiency

### THE MOST IMPORTANT SPECIFICATIONS AT A GLANCE

	Product family	Specifications	Guarantee <sup>1</sup>	Installation accessories included	Available versions	Grid size
1	PANEL INDIVILED®	Up to 120 lm/W 60,000 h (L80/B10 @ 25°C) SDCM 3 UGR < 16 IP40/IK08	5 years	External driver with Fast Connector 4 x safety and suspension brackets Safety cable	ON/OFF DALI Emergency	600 x 600 625 x 625
2	PANEL IP54	120 lm/W 60,000 h (L80/B10 @ 25°C) SDCM 3 UGR < 22 IP54	5 years	External driver 4 x safety and suspension brackets Safety cable	ON/OFF DALI	600 x 600 625 x 625
3	PANEL PERFORMANCE HO	120 lm/W 60,000 h (L80/B10 @ 25°C) SDCM 3 UGR < 22/UGR < 19 IP20	5 years	External driver with Fast Connector 4 x safety and suspension brackets Safety cable <b>NEW: 5-pin terminal (Panel PFM HO 600 CB only)</b>	ON/OFF DALI Emergency (with EM CONV BOX)	600 x 600 625 x 625

<sup>1</sup> For precise terms and conditions go to [www.ledvance.com/guarantee](http://www.ledvance.com/guarantee)



PERFORMANCE CLASS



4. PANEL PERFORMANCE  
Page 74

The panel luminaire for everyday applications

VALUE CLASS



5. PANEL VALUE  
Page 78

The value model for cost-effective applications



6. PANEL ACCESSORIES  
Page 80

Versatile mounting options

THE MOST IMPORTANT SPECIFICATIONS AT A GLANCE

	Product family	Specifications	Guarantee <sup>1</sup>	Installation accessories included	Available versions	Grid size
4	PANEL PERFORMANCE	Up to 110 lm/W Up to 60,000 h (L80/B10 @ 25°C) SDCM 5 UGR < 22/UGR < 19 IP20	5 years	External driver with Fast Connector 4 x safety and suspension brackets 3-pin terminal (all ON/OFF types except TP(A) version) <b>NEW: Safety cable (all Panel PFM 600)</b>	ON/OFF DALI Emergency (with EM CONV BOX)	600 x 600 625 x 625 1,200 x 300
5	PANEL VALUE	<b>NEW: Up to 100 lm/W</b> 50,000 h (L70/B50 @ 25°C) SDCM 5 UGR < 22/UGR < 19 IP40	3 years	External driver with Fast Connector 2 x safety brackets	ON/OFF <b>NEW: DALI</b> <b>NEW: Emergency (with EM CONV BOX)</b>	600 x 600 <b>NEW: 625 x 625</b> <b>NEW: 1,200 x 600</b>

<sup>1</sup> For precise terms and conditions go to [www.ledvance.com/guarantee](http://www.ledvance.com/guarantee)

# PANEL INDIVILED®

Recessed luminaires with IndiviLED optics®



## PRODUCT FEATURES

- Metal housing, lenses and reflectors made of polycarbonate (PC)
- Each LED with individual lens and reflector for  $UGR \leq 16$  and homogenous light distribution
- Lifetime (L80/B10): up to 60,000 h (at 25 °C)
- Initial color consistency: 3 SDCM
- Accessories available for various recessed and surface-mounted options

## PRODUCT BENEFITS

- Homogenous light distribution and reduced glare thanks to the IndiviLED® optics
- Low-flicker light
- Robust structure with IK08
- All versions with on/off, DALI ECG or emergency lighting function acc. to IEC 60598-2-22
- 5 years guarantee

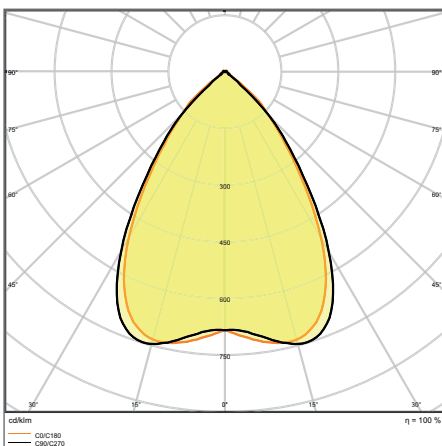
## AREAS OF APPLICATION

- Direct replacement for luminaires with fluorescent lamps
- Corridors
- Offices
- Conference rooms
- Reception areas

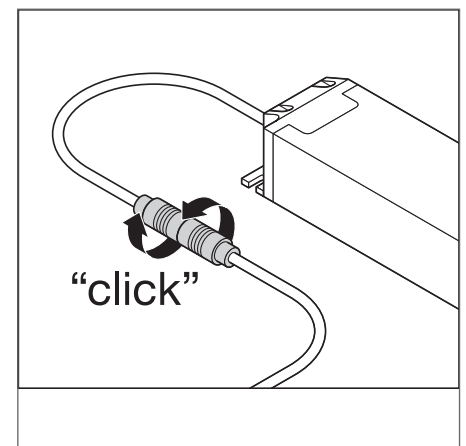
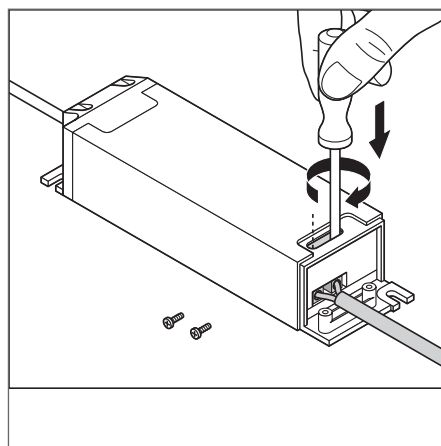
## EQUIPMENT / ACCESSORIES

- Accessories for several mounting options available\*
- Security rope for luminaire included
- External control gear included

## FURTHER PRODUCT DETAILS



PANEL INDV EM 600 33 W 4000 K



\* Please note: available = available as an optional accessory.

<sup>1</sup> The ENEC and TÜV certifications apply exclusively to the switchable versions of the luminaire family, DALI versions and versions for emergency lighting are excepted. |

<sup>2</sup> A 5-year guarantee applies to standard and DALI types; a 3-year guarantee for emergency versions.

The pictures shown in the catalog are for illustration purposes only. For information on size and color, please refer to the product table.

## PANEL INDIVILED®

Square, recessed luminaires with IndiviLED® optics

Product name	Segmentation	GTIN (EAN)	RE-PLACE-MENT FOR	W	lm	lm/W	K	L70 <sup>1</sup>	L80 <sup>1</sup>	△	⤵
PANEL INDV 600 33 W 3000 K	■	4058075201132	4x18W/4x14W FL	33	3800	115	3000	80000	60000	70	-
PANEL INDV 600 33 W 4000 K	■	4058075201156	4x18W/4x14W FL	33	4000	120	4000	80000	60000	70	-
PANEL INDV 625 33 W 3000 K	■	4058075201170	4x18W/4x14W FL	33	3800	115	3000	80000	60000	70	-
PANEL INDV 625 33 W 4000 K	■	4058075201194	4x18W/4x14W FL	33	4000	120	4000	80000	60000	70	-
PANEL INDV DALI 600 33 W 3000 K	■	4058075201217	4x18W/4x14W FL	33	3800	115	3000	80000	60000	70	DALI
PANEL INDV DALI 600 33 W 4000 K	■	4058075201231	4x18W/4x14W FL	33	4000	120	4000	80000	60000	70	DALI
PANEL INDV DALI 625 33 W 3000 K	■	4058075201255	4x18W/4x14W FL	33	3800	115	3000	80000	60000	70	DALI
PANEL INDV DALI 625 33 W 4000 K	■	4058075201279	4x18W/4x14W FL	33	4000	120	4000	80000	60000	70	DALI



Product name	CRI	UGR	FLICKER VALUE	IK	Ⓜ	L × W × H [mm] ∅ × H [mm]
PANEL INDV 600 33 W 3000 K	≥80	<16	-	IK08	3500	595 x 595 x 13
PANEL INDV 600 33 W 4000 K	≥80	<16	-	IK08	3500	595 x 595 x 13
PANEL INDV 625 33 W 3000 K	≥80	<16	-	IK08	3600	620 x 620 x 13
PANEL INDV 625 33 W 4000 K	≥80	<16	-	IK08	3600	620 x 620 x 13
PANEL INDV DALI 600 33 W 3000 K	≥80	<16	<2 %	IK08	3600	595 x 595 x 13
PANEL INDV DALI 600 33 W 4000 K	≥80	<16	<2 %	IK08	3600	595 x 595 x 13
PANEL INDV DALI 625 33 W 3000 K	≥80	<16	<2 %	IK08	3700	620 x 620 x 13
PANEL INDV DALI 625 33 W 4000 K	≥80	<16	<2 %	IK08	3700	620 x 620 x 13

## PANEL INDIVILED® EMERGENCY

Square recessed luminaire with IndiviLED® optics, self-contained emergency luminaire

Product name	Segmentation	GTIN (EAN)	RE-PLACE-MENT FOR	W	lm	lm/W	K	L70 <sup>1</sup>	L80 <sup>1</sup>	△
PANEL INDV EM 600 33 W 3000 K	■	4058075201293	4x18W/4x14W FL	33	3800	115	3000	80000	60000	70
PANEL INDV EM 600 33 W 4000 K	■	4058075201316	4x18W/4x14W FL	33	4000	120	4000	80000	60000	70
PANEL INDV EM 625 33 W 3000 K	■	4058075201330	4x18W/4x14W FL	33	3800	115	3000	80000	60000	70
PANEL INDV EM 625 33 W 4000 K	■	4058075201354	4x18W/4x14W FL	33	4000	120	4000	80000	60000	70



Product name	CRI	UGR	IK	Ⓜ	L × W × H [mm] ∅ × H [mm]
PANEL INDV EM 600 33 W 3000 K	≥80	<16	IK08	3700	595 x 595 x 13
PANEL INDV EM 600 33 W 4000 K	≥80	<16	IK08	3700	595 x 595 x 13
PANEL INDV EM 625 33 W 3000 K	≥80	<16	IK08	3800	620 x 620 x 13
PANEL INDV EM 625 33 W 4000 K	≥80	<16	IK08	3800	620 x 620 x 13

## EMERGENCY LIGHTING PROPERTIES

Product name	Battery life in emergency operation mode	Type of emergency operation test	Type of emergency light operation	Luminous flux in emergency operation mode	Type of Battery
PANEL INDV EM 600 33 W 3000 K	3 h	Automatic	Maintained/Non-maintained	450 lm	LiFeP04
PANEL INDV EM 600 33 W 4000 K	3 h	Automatic	Maintained/Non-maintained	480 lm	LiFeP04
PANEL INDV EM 625 33 W 3000 K	3 h	Automatic	Maintained/Non-maintained	450 lm	LiFeP04
PANEL INDV EM 625 33 W 4000 K	3 h	Automatic	Maintained/Non-maintained	480 lm	LiFeP04

<sup>1</sup> t [h]: L70/B50 @ 25 °C (Ta) / t [h]: L80/B10 @ 25 °C (Ta)

## PANEL IP54

Recessed panel luminaires with IP54 protection



### PRODUCT FEATURES

- Aluminum housing, PMMA diffusor
- Lifetime (L80/B10): up to 60,000 h (at 25 °C)
- Initial color consistency: 3 SDCM
- Type of protection: IP54 (room side)
- Accessories available for various recessed and surface-mounted options

### PRODUCT BENEFITS

- Suitable for use in dusty and damp locations thanks to high IP rating
- Low-flicker light
- Energy savings of up to 50 % (compared to luminaires that use fluorescent lamps)
- 5 years guarantee

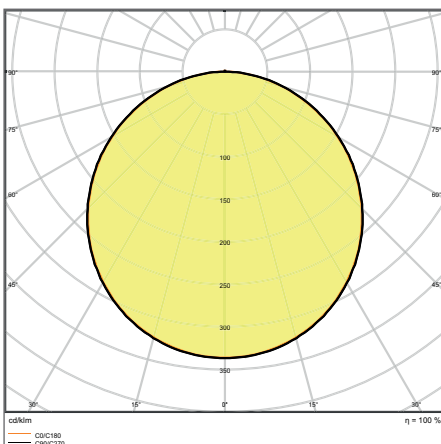
### AREAS OF APPLICATION

- Direct replacement for luminaires with fluorescent lamps
- Hospitals
- Laboratories
- Suitable for recessed ceiling systems with grid size of 600 x 600 mm
- Kitchens, workspaces

### EQUIPMENT / ACCESSORIES

- Accessories for several mounting options available\*
- External control gear included

## FURTHER PRODUCT DETAILS



PANEL 600 36 W 3000 K OP IP54 WT

\* Please note: available = available as an optional accessory.

<sup>1</sup> The ENEC and TÜV certifications apply exclusively to the switchable versions of the luminaire family, DALI versions are excepted. | <sup>2</sup> Refer to [www.ledvance.com/guarantee](http://www.ledvance.com/guarantee) for precise conditions

The pictures shown in the catalog are for illustration purposes only. For information on size and color, please refer to the product table.

Product name	Segmentation	GTIN (EAN)	RE-PLACE-MENT FOR	W	lm	lm/W	K	L70	L80		
PANEL 600 36 W 3000 K OP IP54 WT	■	4058075149489	4x18W/4x14W FL	36	4320	120	3000	80000	60000	120	-
PANEL 600 36 W 4000 K OP IP54 WT	■	4058075149502	4x18W/4x14W FL	36	4320	120	4000	80000	60000	120	-
PANEL 625 36 W 3000 K OP IP54 WT	■	4058075149526	4x18W/4x14W FL	36	4320	120	3000	80000	60000	120	-
PANEL 625 36 W 4000 K OP IP54 WT	■	4058075149540	4x18W/4x14W FL	36	4320	120	4000	80000	60000	120	-
PANEL 600 DALI 36 W 3000 K OP IP54 WT	■	4058075217720	4x18W/4x14W FL	36	4320	120	3000	80000	60000	120	DALI
PANEL 600 DALI 36 W 4000 K OP IP54 WT	■	4058075217744	4x18W/4x14W FL	36	4320	120	4000	80000	60000	120	DALI
PANEL 625 DALI 36 W 3000 K OP IP54 WT	■	4058075217768	4x18W/4x14W FL	36	4320	120	3000	80000	60000	120	DALI
PANEL 625 DALI 36 W 4000 K OP IP54 WT	■	4058075217782	4x18W/4x14W FL	36	4320	120	4000	80000	60000	120	DALI



Product name	CRI	FLICKER VALUE	IK		L x W x H [mm] Ø x H [mm]
PANEL 600 36 W 3000 K OP IP54 WT	>80	-	-	3200	595 x 595 x 12.6
PANEL 600 36 W 4000 K OP IP54 WT	>80	-	-	3200	595 x 595 x 12.6
PANEL 625 36 W 3000 K OP IP54 WT	>80	-	-	3200	620 x 620 x 12.6
PANEL 625 36 W 4000 K OP IP54 WT	>80	-	-	3200	620 x 620 x 12.6
PANEL 600 DALI 36 W 3000 K OP IP54 WT	≥80	<2 %	IK06	3200	595 x 595 x 12.6
PANEL 600 DALI 36 W 4000 K OP IP54 WT	≥80	<2 %	IK06	3200	595 x 595 x 12.6
PANEL 625 DALI 36 W 3000 K OP IP54 WT	≥80	<2 %	IK06	3200	620 x 620 x 12.6
PANEL 625 DALI 36 W 4000 K OP IP54 WT	≥80	<2 %	IK06	3200	620 x 620 x 12.6

<sup>1</sup> t [h]: L70/B50 @ 25 °C (Ta) / t [h]: L80/B10 @ 25 °C (Ta)

## PANEL PERFORMANCE HIGH OUTPUT

Recessed panel luminaires with high luminous flux and luminous efficacy up to 120 lm/W



### PRODUCT FEATURES

- Aluminum housing, polystyrene diffusor
- Lifetime (L80/B10): up to 60,000 h (at 25 °C)
- Initial color consistency: 3 SDCM
- Luminous flux: up to 4,320 lm
- Accessories available for various recessed and surface-mounted options

### PRODUCT BENEFITS

- High lumen output reduces the total number of panels per installation
- Low-flicker light
- Light guide plate with micro structure made of non-yellowing material for long lifetime
- Good glare reduction (UGR<19)
- 5 years guarantee

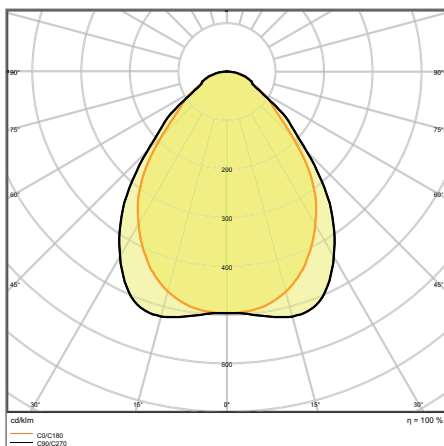
### AREAS OF APPLICATION

- Direct replacement for luminaires with fluorescent lamps
- Corridors
- Offices
- Conference rooms
- Reception areas

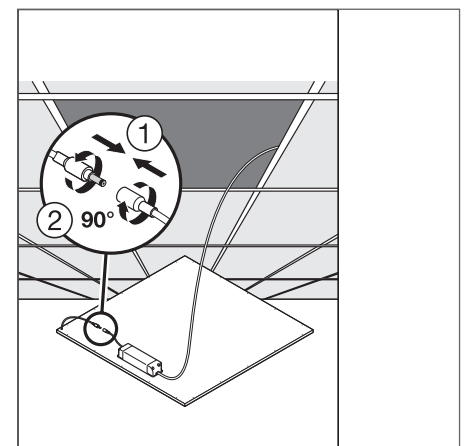
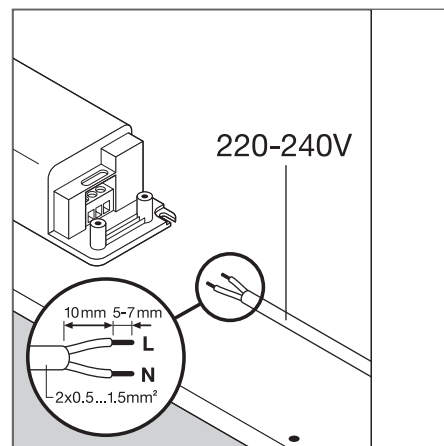
### EQUIPMENT / ACCESSORIES

- Accessories for several mounting options available\*
- Security rope for luminaire included
- External control gear included

## FURTHER PRODUCT DETAILS



PANEL 600 UGR<19 36W 4000 K MP WT



\* Please note: available = available as an optional accessory.

<sup>1</sup> The ENEC certification applies exclusively to the switchable versions of the luminaire family, DALI versions are excepted. | <sup>2</sup> Refer to [www.ledvance.com/guarantee](http://www.ledvance.com/guarantee) for precise conditions

The pictures shown in the catalog are for illustration purposes only. For information on size and color, please refer to the product table.

## PANEL PERFORMANCE HIGH OUTPUT

Recessed panel luminaires with high luminous flux and luminous efficacy up to 120 lm/W

Product name	Segmentation	GTIN (EAN)	RE-PLACEMENT FOR	W	lm	lm/W	K	L70	L80	△	⤵
PANEL 600 36 W 3000 K OP WT	■	4058075113060	4x18W/4x14W FL	36	4320	120	3000	80000	60000	120	-
PANEL 600 36 W 4000 K OP WT	■	4058075113084	4x18W/4x14W FL	36	4320	120	4000	80000	60000	120	-
PANEL 625 36 W 3000 K OP WT	■	4058075113145	4x18W/4x14W FL	36	4320	120	3000	80000	60000	120	-
PANEL 625 36 W 4000 K OP WT	■	4058075113183	4x18W/4x14W FL	36	4320	120	4000	80000	60000	120	-
PANEL 600 DALI 36 W 3000 K OP WT	■	4058075113244	4x18W/4x14W FL	36	4320	120	3000	80000	60000	120	DALI
PANEL 600 DALI 36 W 4000 K OP WT	■	4058075113268	4x18W/4x14W FL	36	4320	120	4000	80000	60000	120	DALI
PANEL 625 DALI 36 W 3000 K OP WT	■	4058075113329	4x18W/4x14W FL	36	4320	120	3000	80000	60000	120	DALI
PANEL 625 DALI 36 W 4000 K OP WT	■	4058075113343	4x18W/4x14W FL	36	4320	120	4000	80000	60000	120	DALI



Product name	CRI	FLICKER VALUE	Ⓜ	L × W × H [mm] ∅ × H [mm]
PANEL 600 36 W 3000 K OP WT	>80	-	3250	595 x 595 x 12.2
PANEL 600 36 W 4000 K OP WT	>80	-	3250	595 x 595 x 12.2
PANEL 625 36 W 3000 K OP WT	>80	-	3350	620 x 620 x 12.2
PANEL 625 36 W 4000 K OP WT	>80	-	3350	620 x 620 x 12.2
PANEL 600 DALI 36 W 3000 K OP WT	>80	<2 %	3250	595 x 595 x 12.2
PANEL 600 DALI 36 W 4000 K OP WT	>80	<2 %	3250	595 x 595 x 12.2
PANEL 625 DALI 36 W 3000 K OP WT	>80	<2 %	3350	620 x 620 x 12.2
PANEL 625 DALI 36 W 4000 K OP WT	>80	<2 %	3350	620 x 620 x 12.2

## PANEL PERFORMANCE HIGH OUTPUT UGR<19

Square recessed panel luminaires with high luminous flux and low glare

Product name	Segmentation	GTIN (EAN)	RE-PLACEMENT FOR	W	lm	lm/W	K	L70	L80	△	⤵
PANEL 600 UGR<19 36 W 3000 K MP WT	■	4058075113107	4x18W/4x14W FL	36	4320	120	3000	80000	60000	90	-
PANEL 600 UGR<19 36 W 4000 K MP WT	■	4058075113121	4x18W/4x14W FL	36	4320	120	4000	80000	60000	90	-
PANEL 625 UGR<19 36 W 3000 K MP WT	■	4058075113206	4x18W/4x14W FL	36	4320	120	3000	80000	60000	90	-
PANEL 625 UGR<19 36 W 4000 K MP WT	■	4058075113220	4x18W/4x14W FL	36	4320	120	4000	80000	60000	90	-
PANEL 600 DALI UGR<19 36 W 3000 K MP WT	■	4058075113282	4x18W/4x14W FL	36	4320	120	3000	80000	60000	90	DALI
PANEL 600 DALI UGR<19 36 W 4000 K MP WT	■	4058075113305	4x18W/4x14W FL	36	4320	120	4000	80000	60000	90	DALI
PANEL 625 DALI UGR<19 36 W 3000 K MP WT	■	4058075113381	4x18W/4x14W FL	36	4320	120	3000	80000	60000	90	DALI
PANEL 625 DALI UGR<19 36 W 4000 K MP WT	■	4058075113404	4x18W/4x14W FL	36	4320	120	4000	80000	60000	90	DALI



Product name	CRI	UGR	FLICKER VALUE	Ⓜ	L × W × H [mm] ∅ × H [mm]
PANEL 600 UGR<19 36 W 3000 K MP WT	>80	<19	-	3250	595 x 595 x 12.2
PANEL 600 UGR<19 36 W 4000 K MP WT	>80	<19	-	3250	595 x 595 x 12.2
PANEL 625 UGR<19 36 W 3000 K MP WT	>80	<19	-	3350	620 x 620 x 12.2
PANEL 625 UGR<19 36 W 4000 K MP WT	>80	<19	-	3350	620 x 620 x 12.2
PANEL 600 DALI UGR<19 36 W 3000 K MP WT	>80	<19	<2 %	3250	595 x 595 x 12.2
PANEL 600 DALI UGR<19 36 W 4000 K MP WT	>80	<19	<2 %	3250	595 x 595 x 12.2
PANEL 625 DALI UGR<19 36 W 3000 K MP WT	>80	<19	<2 %	3350	620 x 620 x 12.2
PANEL 625 DALI UGR<19 36 W 4000 K MP WT	>80	<19	<2 %	3350	620 x 620 x 12.2

<sup>1</sup> t [h]: L70/B50 @ 25 °C (Ta) / t [h]: L80/B10 @ 25 °C (Ta)



## PANEL PERFORMANCE HIGH OUTPUT CONNECTOR BOX

Recessed panel luminaires with high luminous flux and luminous efficacy up to 120 lm/W, connector box included for through-wiring

Product name	Segmentation	GTIN (EAN)	RE-PLACEMENT FOR	W	lm	lm/W	K	L70 <sup>1</sup>	L80 <sup>1</sup>	⚠
NEW PANEL PFM HO 600 CB 36 W 3000 K WT	■	4058075400498	4x18W/4x14W FL	36	4320	120	3000	100000	60000	120
NEW PANEL PFM HO 600 CB 36 W 4000 K WT	■	4058075400535	4x18W/4x14W FL	36	4320	120	4000	100000	60000	120
NEW PANEL PFM HO 600 DALI CB 36 W 3000 K WT	■	4058075400610	4x18W/4x14W FL	36	4320	120	3000	100000	60000	120
NEW PANEL PFM HO 600 DALI CB 36 W 4000 K WT	■	4058075400634	4x18W/4x14W FL	36	4320	120	4000	100000	60000	120
NEW PANEL PFM HO 600 CB UGR<19 36 W 3000 K WT	■	4058075400573	4x18W/4x14W FL	36	4320	120	3000	100000	60000	90
NEW PANEL PFM HO 600 CB UGR<19 36 W 4000 K WT	■	4058075400597	4x18W/4x14W FL	36	4320	120	4000	100000	60000	90
NEW PANEL PFM HO 600 DALI CB UGR<19 36 W 3000 K WT	■	4058075400658	4x18W/4x14W FL	36	4320	120	3000	100000	60000	90
NEW PANEL PFM HO 600 DALI CB UGR<19 36 W 4000 K WT	■	4058075400672	4x18W/4x14W FL	36	4320	120	4000	100000	60000	90



Product name	CRI	UGR	FLICKER VALUE	ⓘ	L x W x H [mm]	∅ x H [mm]
NEW PANEL PFM HO 600 CB 36 W 3000 K WT	>80	-	<5 %	3250	595 x 595 x 12.2	
NEW PANEL PFM HO 600 CB 36 W 4000 K WT	>80	-	<5 %	3250	595 x 595 x 12.2	
NEW PANEL PFM HO 600 DALI CB 36 W 3000 K WT	>80	-	<5 %	3250	595 x 595 x 12.2	
NEW PANEL PFM HO 600 DALI CB 36 W 4000 K WT	>80	-	<5 %	3250	595 x 595 x 12.2	
NEW PANEL PFM HO 600 CB UGR<19 36 W 3000 K WT	>80	<19	<5 %	3250	595 x 595 x 12.2	
NEW PANEL PFM HO 600 CB UGR<19 36 W 4000 K WT	>80	<19	<5 %	3250	595 x 595 x 12.2	
NEW PANEL PFM HO 600 DALI CB UGR<19 36 W 3000 K WT	>80	<19	<5 %	3250	595 x 595 x 12.2	
NEW PANEL PFM HO 600 DALI CB UGR<19 36 W 4000 K WT	>80	<19	<5 %	3250	595 x 595 x 12.2	

<sup>1</sup> t [h]: L70/B50 @ 25 °C (Ta) / t [h]: L80/B10 @ 25 °C (Ta)



## PANEL PERFORMANCE

Recessed panel luminaires with luminous efficacy up to 110 lm/W



### PRODUCT FEATURES

- Aluminum housing, polystyrene diffuser
- Lifetime (L80/B10): up to 60,000 h (at 25 °C)
- High luminous efficacy: up to 110 lm/W
- Housing available in square and rectangular shapes
- Accessories available for various recessed and surface-mounted options

### PRODUCT BENEFITS

- Good glare reduction (UGR<19)
- Low-flicker light
- Light guide plate with micro structure made of non-yellowing material for long lifetime
- Energy savings of up to 50 % (compared to luminaires that use fluorescent lamps)
- 5 years guarantee

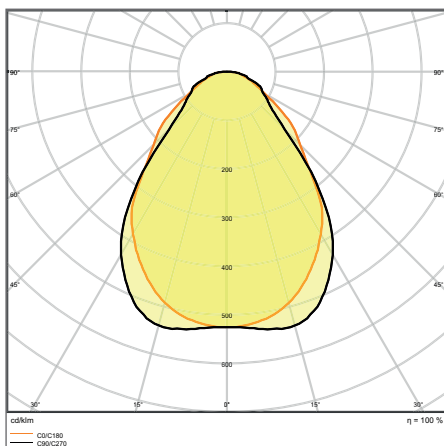
### AREAS OF APPLICATION

- Direct replacement for luminaires with fluorescent lamps
- Corridors
- Offices
- Conference rooms
- Reception areas

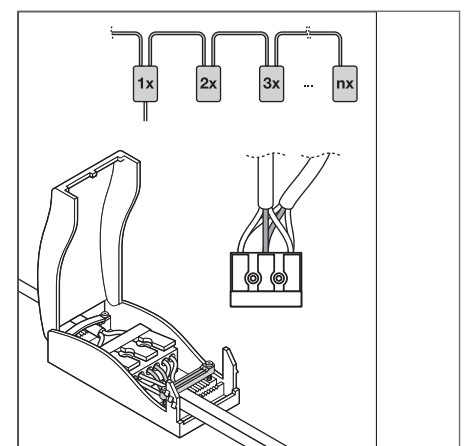
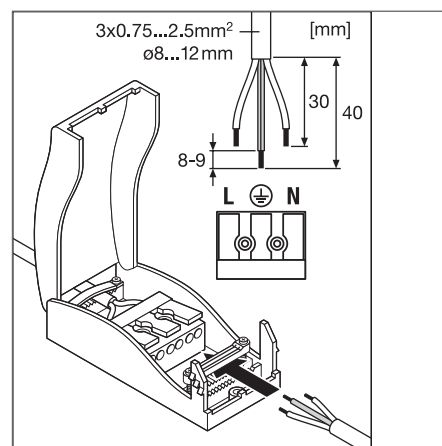
### EQUIPMENT / ACCESSORIES

- Accessories for several mounting options available\*
- External control gear included

## FURTHER PRODUCT DETAILS



PANEL PFM 600 UGR<19 33 W 4000 K WT



\* Please note: available = available as an optional accessory.

The pictures shown in the catalog are for illustration purposes only. For information on size and color, please refer to the product table.

## PANEL PERFORMANCE

Recessed panel luminaires with luminous efficacy up to 110 lm/W

Product name	Segmentation	GTIN (EAN)	RE-PLACE-MENT FOR	W	lm	lm/W	K	L70	L80	°	°
PANEL PFM 600 30 W 3000 K WT	■	4058075225152	4x18W/4x14W FL	30	3000	100	3000	80000	60000	120	-
PANEL PFM 600 30 W 4000 K WT	■	4058075225176	4x18W/4x14W FL	30	3000	100	4000	80000	60000	120	-
PANEL PFM 600 40 W 3000 K WT	■	4058075225190	4x18W/4x14W FL	40	4000	100	3000	80000	60000	120	-
PANEL PFM 600 40 W 4000 K WT	■	4058075225213	4x18W/4x14W FL	40	4000	100	4000	80000	60000	120	-
PANEL PFM 625 30 W 3000 K WT	■	4058075225275	4x18W/4x14W FL	30	3000	100	3000	80000	60000	120	-
PANEL PFM 625 30 W 4000 K WT	■	4058075225299	4x18W/4x14W FL	30	3000	100	4000	80000	60000	120	-
PANEL PFM 625 40 W 3000 K WT	■	4058075225312	4x18W/4x14W FL	40	4000	100	3000	80000	60000	120	-
PANEL PFM 625 40 W 4000 K WT	■	4058075225336	4x18W/4x14W FL	40	4000	100	4000	80000	60000	120	-
PANEL 1200 40 W 3000 K WT	■	4058075321809	2x28W FL	40	4000	100	3000	60000	40000	120	-
PANEL 1200 40 W 4000 K WT	■	4058075182035	2x28W FL	40	4000	100	4000	60000	40000	120	-
PANEL PFM DALI 600 40 W 3000 K WT	■	4058075225398	4x18W/4x14W FL	40	4000	100	3000	80000	60000	120	DALI
PANEL PFM DALI 600 40 W 4000 K WT	■	4058075225411	4x18W/4x14W FL	40	4000	100	4000	80000	60000	120	DALI
PANEL PFM DALI 625 40 W 3000 K WT	■	4058075225473	4x18W/4x14W FL	40	4000	100	3000	80000	60000	120	DALI
PANEL PFM DALI 625 40 W 4000 K WT	■	4058075225497	4x18W/4x14W FL	40	4000	100	4000	80000	60000	120	DALI
PANEL 1200 DALI 40 W 3000 K WT	■	4058075042018	2x28W FL	40	4000	100	3000	60000	40000	120	DALI
PANEL 1200 DALI 40 W 4000 K WT	■	4058075041998	2x28W FL	40	4000	100	4000	60000	40000	120	DALI



Product name	CRI	FLICKER VALUE	IP	IK	°	L x W x H [mm]	Ø x H [mm]	No.
PANEL PFM 600 30 W 3000 K WT	≥80	<5 %	IP20	-	2000	595 x 595 x 9		2
PANEL PFM 600 30 W 4000 K WT	≥80	<5 %	IP20	-	2000	595 x 595 x 9		2
PANEL PFM 600 40 W 3000 K WT	≥80	<5 %	IP20	-	2000	595 x 595 x 9		2
PANEL PFM 600 40 W 4000 K WT	≥80	<5 %	IP20	-	2000	595 x 595 x 9		2
PANEL PFM 625 30 W 3000 K WT	≥80	<5 %	IP20	-	2300	620 x 620 x 9		3
PANEL PFM 625 30 W 4000 K WT	≥80	<5 %	IP20	-	2300	620 x 620 x 9		3
PANEL PFM 625 40 W 3000 K WT	≥80	<5 %	IP20	-	2300	620 x 620 x 9		3
PANEL PFM 625 40 W 4000 K WT	≥80	<5 %	IP20	-	2300	620 x 620 x 9		3
PANEL 1200 40 W 3000 K WT	>80	-	IP20	IK06	3000	1195 x 295 x 10.5		1
PANEL 1200 40 W 4000 K WT	>80	-	IP20	IK06	3000	1195 x 295 x 10.5		1
PANEL PFM DALI 600 40 W 3000 K WT	≥80	<5 %	IP20	-	2050	595 x 595 x 9		2
PANEL PFM DALI 600 40 W 4000 K WT	≥80	<5 %	IP20	-	2050	595 x 595 x 9		2
PANEL PFM DALI 625 40 W 3000 K WT	≥80	<5 %	IP20	-	2300	620 x 620 x 9		3
PANEL PFM DALI 625 40 W 4000 K WT	≥80	<5 %	IP20	-	2300	620 x 620 x 9		3
PANEL 1200 DALI 40 W 3000 K WT	>80	-	IP20	IK06	3000	1195 x 295 x 10.5		1
PANEL 1200 DALI 40 W 4000 K WT	>80	-	IP20	IK06	3000	1195 x 295 x 10.5		1

<sup>1</sup> t [h]: L70/B50 @ 25 °C (Ta) / t [h]: L80/B10 @ 25 °C (Ta)

### PANEL PERFORMANCE UGR<19

Square recessed panel luminaires with luminous efficacy up to 110 lm/Ws, low glare

Product name	Segmentation	GTIN (EAN)	RE-PLACEMENT FOR	W	lm	lm/W	K	L70 <sup>1</sup>	L80 <sup>1</sup>	△	⌚
PANEL PFM 600 UGR<19 33 W 3000 K WT	■	4058075225237	4x18W/4x14W FL	33	3100	100	3000	80000	60000	90	-
PANEL PFM 600 UGR<19 33 W 4000 K WT	■	4058075225251	4x18W/4x14W FL	33	3600	110	4000	80000	60000	90	-
PANEL PFM 625 UGR<19 33 W 3000 K WT	■	4058075225350	4x18W/4x14W FL	33	3100	100	3000	80000	60000	90	-
PANEL PFM 625 UGR<19 33 W 4000 K WT	■	4058075225374	4x18W/4x14W FL	33	3600	110	4000	80000	60000	90	-
PANEL 1200 UGR<19 33 W 4000 K WT	■	4058075182059	4x18W/4x14W FL	33	3300	100	4000	60000	40000	90	-
PANEL 1200 UGR<19 33 W 3000 K WT	■	4058075321786	4x18W/4x14W FL	33	3100	95	3000	60000	40000	90	-
PANEL PFM DALI 600 UGR<19 33 W 3000 K WT	■	4058075225435	4x18W/4x14W FL	33	3100	95	3000	80000	60000	90	DALI
PANEL PFM DALI 600 UGR<19 33 W 4000 K WT	■	4058075225459	4x18W/4x14W FL	33	3600	110	4000	80000	60000	90	DALI
PANEL PFM DALI 625 UGR<19 33 W 3000 K WT	■	4058075225510	4x18W/4x14W FL	33	3100	95	3000	80000	60000	90	DALI
PANEL PFM DALI 625 UGR<19 33 W 4000 K WT	■	4058075225534	4x18W/4x14W FL	33	3600	110	4000	80000	60000	90	DALI
PANEL 1200 DALI UGR<19 33 W 3000 K WT	■	4058075041950	4x18W/4x14W FL	33	3100	95	3000	50000	40000	90	DALI
PANEL 1200 DALI UGR<19 33 W 4000 K WT	■	4058075041974	4x18W/4x14W FL	33	3300	110	4000	50000	40000	90	DALI

Product name	CRI	UGR	FLICKER VALUE	IP	IK	g	L x W x H [mm]	Ø x H [mm]	Light No.
PANEL PFM 600 UGR<19 33 W 3000 K WT	≥80	<19	<5 %	IP20	-	2050	595 x 595 x 9		2
PANEL PFM 600 UGR<19 33 W 4000 K WT	≥80	<19	<5 %	IP20	-	2050	595 x 595 x 9		2
PANEL PFM 625 UGR<19 33 W 3000 K WT	≥80	<19	<5 %	IP20	-	2350	620 x 620 x 9		3
PANEL PFM 625 UGR<19 33 W 4000 K WT	≥80	<19	<5 %	IP20	-	2350	620 x 620 x 9		3
PANEL 1200 UGR<19 33 W 4000 K WT	>80	<19	-	IP20	IK06	3000	1195 x 295 x 10.5		1
PANEL 1200 UGR<19 33 W 3000 K WT	>80	<19	-	IP20	IK06	3000	1195 x 295 x 10.5		1
PANEL PFM DALI 600 UGR<19 33 W 3000 K WT	≥80	<19	<5 %	IP20	-	2050	595 x 595 x 9		2
PANEL PFM DALI 600 UGR<19 33 W 4000 K WT	≥80	<19	<5 %	IP20	-	2050	595 x 595 x 9		2
PANEL PFM DALI 625 UGR<19 33 W 3000 K WT	≥80	<19	<5 %	IP20	-	2300	620 x 620 x 9		3
PANEL PFM DALI 625 UGR<19 33 W 4000 K WT	≥80	<19	<5 %	IP20	-	2300	620 x 620 x 9		3
PANEL 1200 DALI UGR<19 33 W 3000 K WT	>80	<19	-	IP20	IK06	3000	1195 x 295 x 10.5		1
PANEL 1200 DALI UGR<19 33 W 4000 K WT	>80	<19	-	IP20	IK06	3000	1195 x 295 x 10.5		1

### PANEL PERFORMANCE, TP(A) RATING (UK)

Recessed panel luminaires with luminous efficacy up to 110 lm/W

Product name	Segmentation	GTIN (EAN)	RE-PLACEMENT FOR	W	lm	lm/W	K	L70 <sup>1</sup>	L80 <sup>1</sup>	△
<b>NEW</b> PANEL PFM 600 UGR<19 TPA 36 W 4000 K WT	■	4058075384309	4x18W/4x14W FL	36	3960	110	4000	50000	50000	90
<b>NEW</b> PANEL PFM DALI 600 UGR<19 TPA 36 W 4000 K WT	■	4058075384323	4x18W/4x14W FL	36	3960	110	4000	50000	50000	90

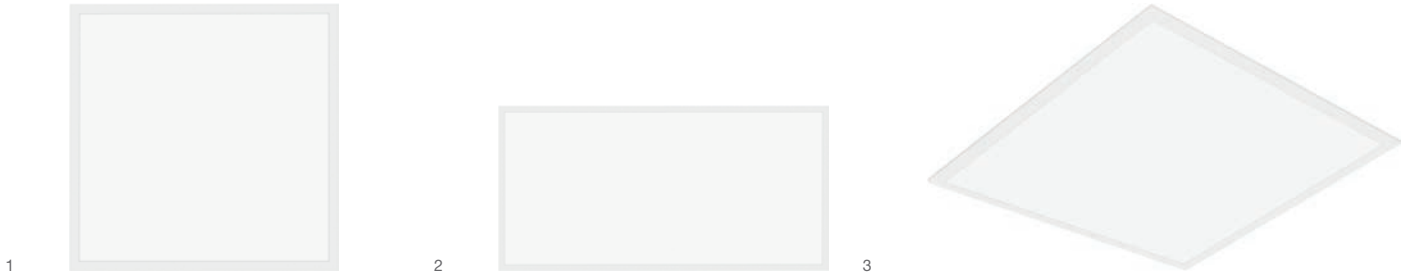
Product name	CRI	UGR	IP	g	L x W x H [mm]	Ø x H [mm]
<b>NEW</b> PANEL PFM 600 UGR<19 TPA 36 W 4000 K WT	>80	<19	IP40	1800	595 x 595 x 34	
<b>NEW</b> PANEL PFM DALI 600 UGR<19 TPA 36 W 4000 K WT	>80	<19	IP40	1800	595 x 595 x 34	

<sup>1</sup> t [h]: L70/B50 @ 25 °C (Ta) / t [h]: L80/B10 @ 25 °C (Ta)



# PANEL VALUE

Recessed panel luminaires



## PRODUCT FEATURES

- Extruded aluminum frame
- Polystyrene diffuser
- Lifetime (L70/B50): 50,000 h (at 25 °C)
- Accessories available for various recessed and surface-mounted options

## PRODUCT BENEFITS

- Good glare reduction (UGR<19)
- Low-flicker light
- Value for money luminaire

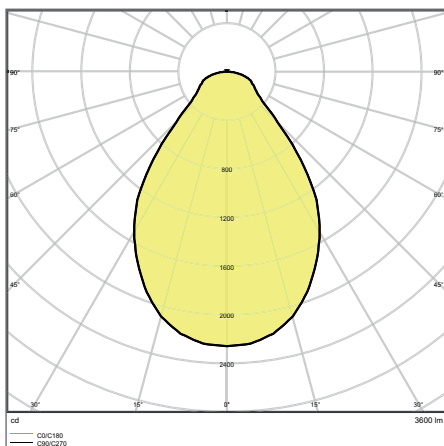
## AREAS OF APPLICATION

- Direct replacement for luminaires with fluorescent lamps
- Offices, conference rooms
- Reception areas, foyers, corridors, elevators
- Suitable for recessed ceiling systems with grid size of 600 x 600 mm

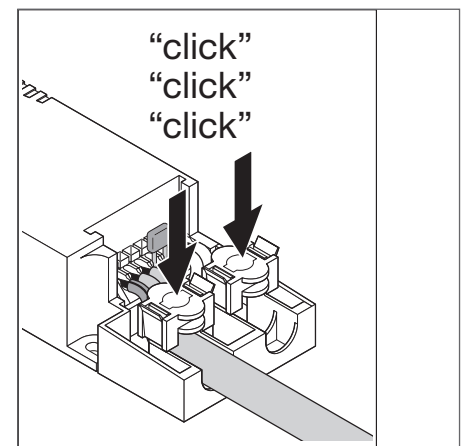
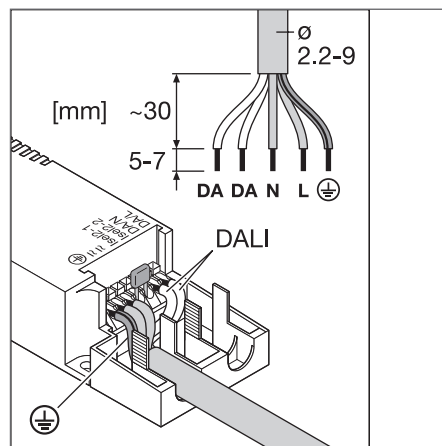
## EQUIPMENT / ACCESSORIES

- Accessories for several mounting options available\*
- External control gear included

## FURTHER PRODUCT DETAILS



PANEL VAL DALI 625 UGR<19 36 W  
4000 K WT



\* Please note: available = available as an optional accessory.  
 † Refer to [www.ledvance.com/guarantee](http://www.ledvance.com/guarantee) for precise conditions

The pictures shown in the catalog are for illustration purposes only. For information on size and color, please refer to the product table.

## PANEL VALUE

Recessed panel luminaire

Product name	Segmentation	GTIN (EAN)	RE-PLACEMENT FOR	W	lm	lm/W	K	L70 <sup>1</sup>	L80 <sup>1</sup>	°
NEW PANEL VAL 600 36 W 3000 K WT	■	4058075392366	4x18W/4x14W FL	36	3600	100	3000	50000	50000	120
NEW PANEL VAL 600 36 W 4000 K WT	■	4058075392380	4x18W/4x14W FL	36	3600	100	4000	50000	50000	120
NEW PANEL VAL 600 36 W 6500 K WT	■	4058075392403	4x18W/4x14W FL	36	3600	100	6500	50000	50000	120
NEW PANEL VAL DALI 600 36 W 3000 K WT	■	4058075392441	4x18W/4x14W FL	36	3600	100	3000	50000	50000	120
NEW PANEL VAL DALI 600 36 W 4000 K WT	■	4058075392465	4x18W/4x14W FL	36	3600	100	4000	50000	50000	120
NEW PANEL VAL DALI 600 36 W 6500 K WT	■	4058075392489	4x18W/4x14W FL	36	3600	100	6500	50000	50000	120
NEW PANEL VAL 600 UGR<19 36 W 3000 K WT	■	4058075392427	4x18W/4x14W FL	36	3600	100	3000	50000	50000	90
NEW PANEL VAL 600 UGR<19 36 W 4000 K WT	■	4058118142200	4x18W/4x14W FL	36	3600	100	4000	50000	50000	90
NEW PANEL VAL 625 UGR<19 36 W 4000 K WT	■	4058075392588	4x18W/4x14W FL	36	3600	100	4000	50000	50000	90
NEW PANEL VAL DALI 600 UGR<19 36 W 3000 K WT	■	4058075392502	4x18W/4x14W FL	36	3600	100	3000	50000	50000	90
NEW PANEL VAL DALI 600 UGR<19 36 W 4000 K WT	■	4058075392526	4x18W/4x14W FL	36	3600	100	4000	50000	50000	90
NEW PANEL VAL DALI 625 UGR<19 36 W 4000 K WT	■	4058075392601	4x18W/4x14W FL	36	3600	100	4000	50000	50000	90



Product name	CRI	UGR	FLICKER VALUE	g	L x W x H [mm]	Ø x H [mm]
NEW PANEL VAL 600 36 W 3000 K WT	>80	-	<5 %	1800	595 x 595 x 35	
NEW PANEL VAL 600 36 W 4000 K WT	>80	-	<5 %	1800	595 x 595 x 35	
NEW PANEL VAL 600 36 W 6500 K WT	>80	-	<5 %	1800	595 x 595 x 35	
NEW PANEL VAL DALI 600 36 W 3000 K WT	>80	-	<5 %	1800	595 x 595 x 35	
NEW PANEL VAL DALI 600 36 W 4000 K WT	>80	-	<5 %	1800	595 x 595 x 35	
NEW PANEL VAL DALI 600 36 W 6500 K WT	>80	-	<5 %	1800	595 x 595 x 35	
NEW PANEL VAL 600 UGR<19 36 W 3000 K WT	>80	<19	<5 %	1800	595 x 595 x 35	
NEW PANEL VAL 600 UGR<19 36 W 4000 K WT	>80	<19	<5 %	1800	595 x 595 x 35	
NEW PANEL VAL 625 UGR<19 36 W 4000 K WT	>80	<19	<5 %	1900	620 x 620 x 35	
NEW PANEL VAL DALI 600 UGR<19 36 W 3000 K WT	>80	<19	<5 %	1800	595 x 595 x 35	
NEW PANEL VAL DALI 600 UGR<19 36 W 4000 K WT	>80	<19	<5 %	1900	620 x 620 x 35	
NEW PANEL VAL DALI 625 UGR<19 36 W 4000 K WT	>80	<19	<5 %	1900	620 x 620 x 35	

## PANEL VALUE TPB

Square recessed panel luminaires with TP(B) rated diffuser

Product name	Segmentation	GTIN (EAN)	RE-PLACEMENT FOR	W	lm	lm/W	K	L70 <sup>1</sup>	L80 <sup>1</sup>	°
NEW PANEL VAL 600 TPB 36 W 4000 K WT	■	4058075384347	4x18W/4x14W FL	36	3240	90	4000	50000	50000	120
NEW PANEL VALUE 1200x600 TPB 65 W 4000 K WT	■	4058075384361	4x36W/4x28W FL	65	5850	90	4000	50000	50000	120



Product name	CRI	g	L x W x H [mm]	Ø x H [mm]	No.
NEW PANEL VAL 600 TPB 36 W 4000 K WT	>80	1800	595 x 595 x 34		1
NEW PANEL VALUE 1200x600 TPB 65 W 4000 K WT	>80	3600	1195 x 595 x 34		1

<sup>1</sup> t [h]: L70/B50 @ 25 °C (Ta) / t [h]: L80/B10 @ 25 °C (Ta)



# COMPATIBILITY OF PANEL ACCESSORIES WITH PANEL FAMILIES<sup>1</sup>

## 1. SURFACE MOUNT KIT



- Pre-assembled ready to install
- Simple fixing with magnets
- Cross brace for greater stability
- Material: aluminum

## 2. SURFACE MOUNT KIT VALUE



- Kit for tool-free mounting with corner clips
- Material: aluminum

## 3. EMERGENCY CONVERSION BOX



- Conversion of a selection of panels to safety luminaires
- Reduces warehousing complexity
- Plug-and-play system for easy installation

## 4. SUSPENSION KIT



- Suspension length: 1,500 mm
- Material: steel

## 5. RECESSED MOUNT CLIPS



- Ceiling thickness: 10 to 20 mm
- Material: steel

## 6. RECESSED MOUNT FRAME



- Pre-assembled ready to install
- Seamless recessed mounting
- Ceiling thickness: 8 to 30 mm
- Material: aluminum

## COMPATIBILITIES AT A GLANCE

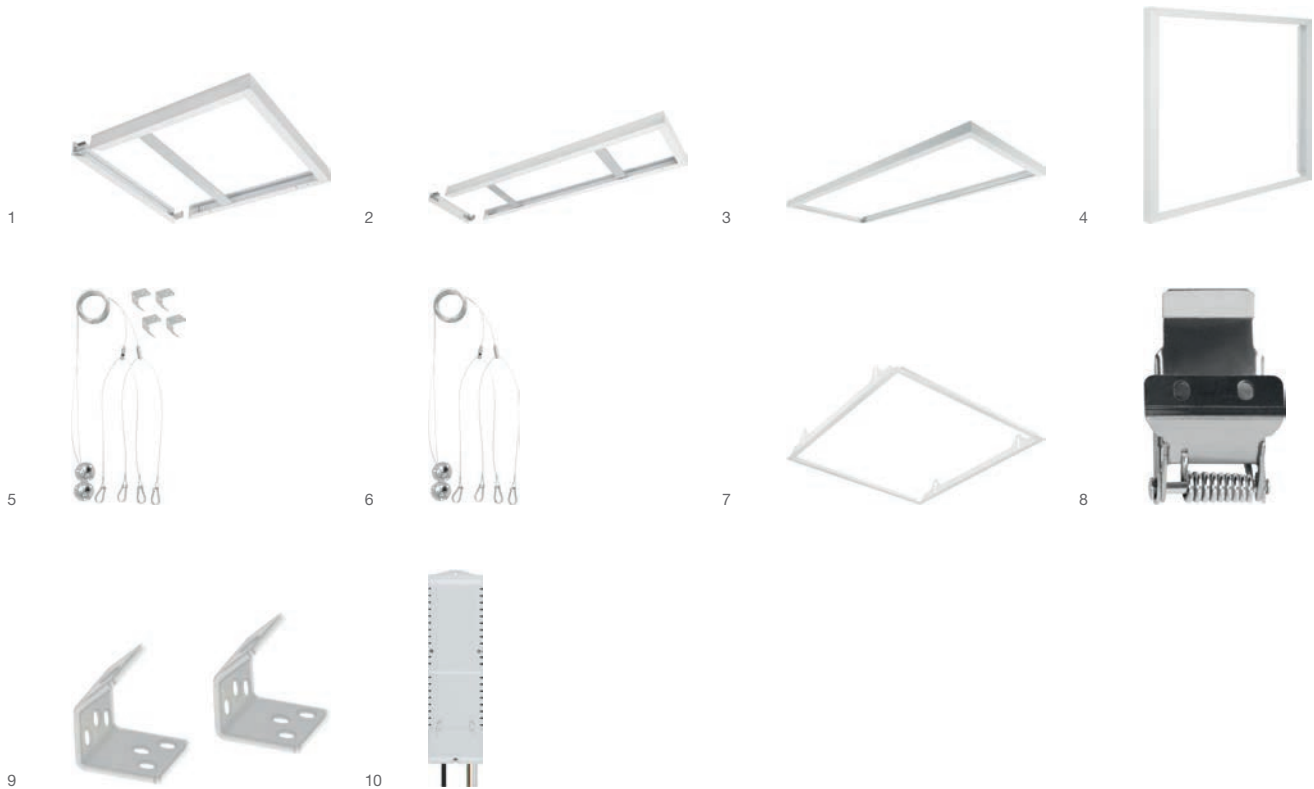
Accessories	GTIN (EAN)	PANEL INDIVILED®	PANEL IP54	PANEL PERFORMANCE HO	PANEL PERFORMANCE	PANEL VALUE
1	PANEL 600 SURFACE MOUNT KIT	4058075108769		✓	✓	
	PANEL 625 SURFACE MOUNT KIT	4058075108783		✓	✓	
	PANEL 1200 SURFACE MOUNT KIT	4058075108820			✓	
2	PANEL 1200 SURFACE MOUNT KIT VALUE	4058075091429			✓	
	PANEL 600 SURFACE MOUNT KIT H70 VALUE	4058075402843	✓	✓	✓	✓
	PANEL 625 SURFACE MOUNT KIT H70 VALUE	4058075402867	✓	✓	✓	✓
	PANEL 1200X600 SURFACE MOUNT KIT VALUE	4058075389823				✓
3	EMERGENCY CONVERSION BOX AT 3H <sup>4</sup>	4058075237025	✓ <sup>2</sup>	✓	✓	✓
4	PANEL 1200 SUSPENSION KIT	4058075108844			✓	
	PANEL SUSPENSION KIT	4058075402928	✓ <sup>2</sup>	✓	✓	✓ <sup>3</sup>
5	PANEL RECESSED MOUNT CLIPS VALUE 4X	4058075409859	✓	✓	✓	✓
—	PANEL 1200 SECURITY BRACKET	4058075108882			✓	
6	PANEL 600 RECESSED MOUNT FRAME	4058075402881		✓	✓	✓
	PANEL 625 RECESSED MOUNT FRAME	4058075402904		✓	✓	✓

<sup>1</sup> The accessories are compatible with the panels in the appropriate dimensions. Details are included in the assembly instructions. | <sup>2</sup> Not for Panel IndivILED® Emergency



<sup>3</sup> For Panel Performance 600 and 625 | <sup>4</sup> You will find more on the Emergency Conversion Box AT 3H from page 184

## PANEL ACCESSORIES

Mounting accessories for panel luminaires, combination according to the accessories matrix



- Suspension Kit: suspension length 1.5 m adjustable for various applications by screw connection
- Surface Mount Kit: sturdy, cross-stiffened aluminum frame with magnetic strip
- Surface Mount Kit Value: Aluminum frame with polycarbonate strip
- Recessed Mount Clips Value 1x4: ceiling thickness 10 - 20 mm, plasterboard, wood and metal ceilings
- Panel 1200 Security Bracket: accessories for attaching a safety cable to the luminaire
- Recessed Mount Frame: ready for assembly for ceiling thickness 8-30mm
- Emergency Conversion Box: emergency conversion box to convert recessed luminaires to self-contained emergency luminaires

Product name	GTIN (EAN)	L x B x H [mm] Ø x H [mm]	MATERIAL	COLOR		
PANEL 600 Surface Mount Kit	4058075108769	601 x 601 x 56	Aluminum	White	1	1
PANEL 625 Surface Mount Kit	4058075108783	626 x 626 x 56	Aluminum	White	1	1
PANEL 1200 Surface Mount Kit	4058075108820	1201 x 301 x 56	Aluminum	White	1	2
PANEL 1200 Surface Mount Kit Value	4058075091429	1201 x 301 x 45	Aluminum	White	1	3
<b>NEW</b> PANEL 600 SURFACE MOUNT KIT H70 VAL	4058075402843	613 x 613 x 70	Aluminum	White	1	4
<b>NEW</b> PANEL 625 SURFACE MOUNT KIT H70 VAL	4058075402867	638 x 638 x 70	Aluminum	White	1	4
<b>NEW</b> PANEL 1200x600 SURFACE MOUNT KIT VAL	4058075389823	1213 x 613 x 72	Aluminum	White	1	3
PANEL 1200 Suspension Kit	4058075108844	1500 x - x -	Steel	Steel	1	5
<b>NEW</b> PANEL Suspension Kit	4058075402928	30 x -	Steel	Steel	1	6
<b>NEW</b> PANEL 600 RECESSED MOUNT FRAME	4058075402881	625 x 625 x 76	Aluminum	White	1	7
<b>NEW</b> PANEL 625 RECESSED MOUNT FRAME	4058075402904	650 x 650 x 76	Aluminum	White	1	7
<b>NEW</b> PANEL RECESSED MOUNT CLIPS VAL 4x	4058075409859	25 x 45 x 33	Steel	Steel	4	8
PANEL 1200 Security Bracket	4058075108882	25 x 20 x 20	Steel	Steel	2	9
EM Conversion Box	4058075237025	292 x 81 x 41	-	-	1	10