

WORK LIGHT

PRACTICAL, HANDY AND FUNCTIONAL: WORK LIGHTS FOR MOBILE USE

WORKLIGHT VALUE

Page 178



H-STAND



H-STAND-PO WITH SOCKETS



TRIPOD

VALUE CLASS

VERSATILE LED WORK LIGHTS

- Plug-and-play work lights with up to 9,000 lumens of light output
- Variable telescopic tripods with two luminaire heads, height adjustable up to 1.8 m, rotates through 360° and swivels through 180°
- “H-STAND” floor stand available with two additional IP44 protected sockets up to 3,000 W at the back



WORKLIGHT VALUE

Versatile LED worklights



PRODUCT FEATURES

- Aluminum die-cast housing, black (similar to RAL 9017) with toughened glass
- Plug and play“ worklights with up to 9000 lm“
- Cable with type E/F plug included
- Type of protection: luminaire head + housing IP65, socket and plug IP44
- Quick-release fastener for adjustment of luminaire head angle

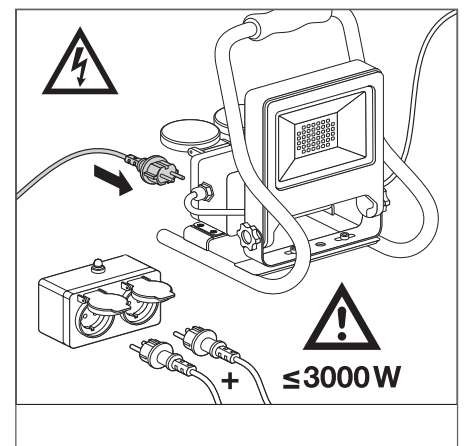
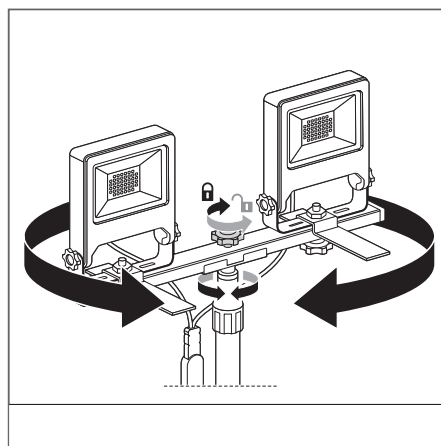
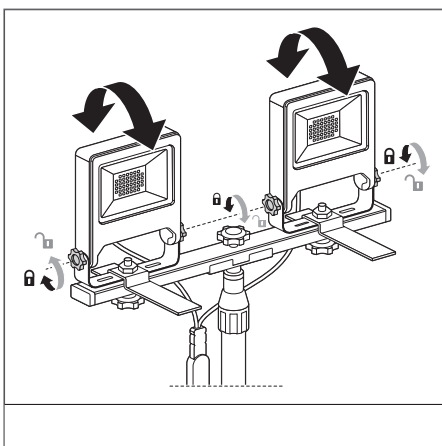
PRODUCT BENEFITS

- Worklight with carry handle and with double socket or stand (adjustable up to a height of 1.8 m)
- Semi-frosted, tempered glass cover for uniform illumination
- Energy savings of up to 80% compared to halogen lamp worklights
- Very flexible use through 90° swivel angle, and 360° angle of rotation of the stand
- 3 years guarantee

AREAS OF APPLICATION

- Renovation
- Garages
- Basement
- Workshops

FURTHER PRODUCT DETAILS



¹ Refer to www.ledvance.com/guarantee for precise conditions

The pictures shown in the catalog are for illustration purposes only. For information on size and color, please refer to the product table.

Product name	Segmentation	GTIN (EAN)	RE-PLACEMENT FOR	W	lm	lm/W	K	L70 ¹	°
WORK VAL 3POD 2x30 W 4000 K IP65	■	4058075308855	2x250W HAL	60	5400	90	4000	30000	110
WORK VAL 3POD 2x50 W 4000 K IP65	■	4058075308879	2x400W HAL	100	9000	90	4000	30000	110
WORK VAL H-STAND 50 W 4000 K IP65	■	4058075322493	400W HAL	50	4500	90	4000	30000	110
WORK VAL H-STAND-PO 50 W 4000 K IP44	■	4058075322516	400W HAL	50	4500	90	4000	30000	110

Product name	CRI	IP	IK	9	CABLE LENGTH	L x W x H [mm] Ø x H [mm]	No.
WORK VAL 3POD 2x30 W 4000 K IP65	≥80	IP65	IK06	3920	2000	680x780x1750	3
WORK VAL 3POD 2x50 W 4000 K IP65	≥80	IP65	IK06	4800	2000	680x780x1800	3
WORK VAL H-STAND 50 W 4000 K IP65	<80	IP65	IK06	2270	2000	264x270x375	1
WORK VAL H-STAND-PO 50 W 4000 K IP44	<80	IP44	IK06	2720	3000	278x270x375	2

¹ t [h]: L70/B50 @ 25 °C (Ta) / t [h]: L80/B10 @ 25 °C (Ta)