

# Apricum<sup>®</sup> L

eco



Apricum Leco LED Floodlight powered by NICHIA SMD LEDs. Housing is made of die-casted aluminum with slim and stylish design. Luminaire uses clear glass with transparency rate up to 93%.

## Product Features:

- NICHIA SMD LEDs
- DuLight or MEANWELL LED Driver
- High quality Aluminum reflector
- Ultra-slim design with die-casted aluminum heat-sink
- 270° adjustable steel bracket
- Electrophoretic paint coating provides excellent corrosion resistance
- Working temperature: -20°C to 60°C
- IP rating: IP65
- Life-span: 30,000 hrs

## Applications:



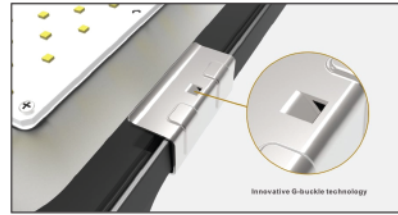
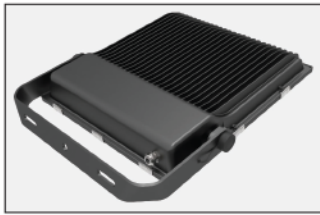
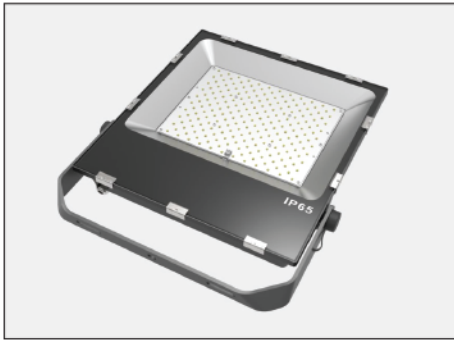
Parks and Stadiums



Workshops



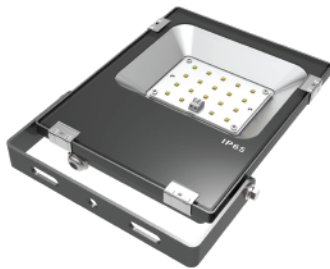
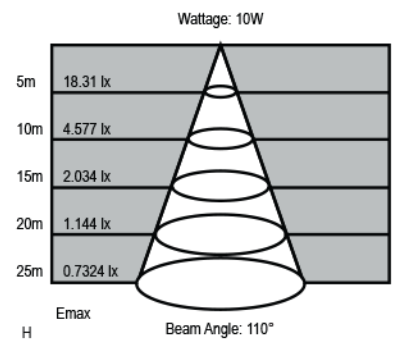
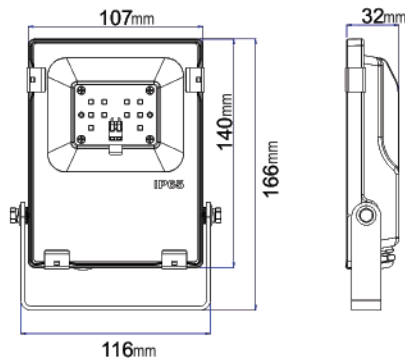
Factories



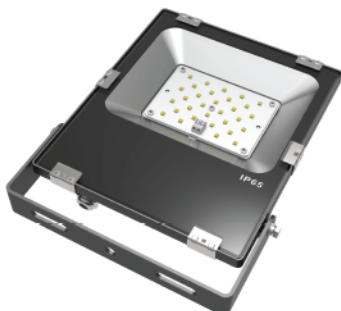
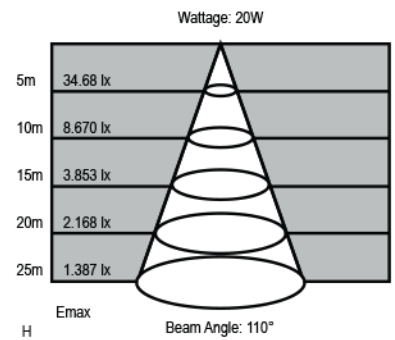
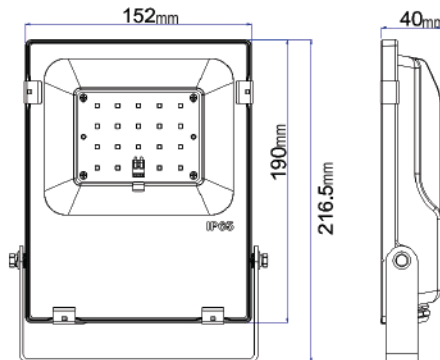
## Dimensions and Light Distribution Curves



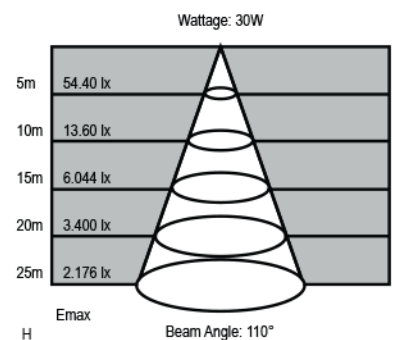
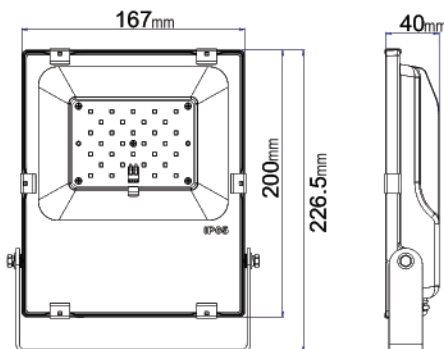
DUAPL2-10

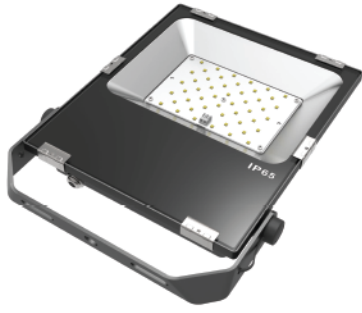


DUAPL2-20

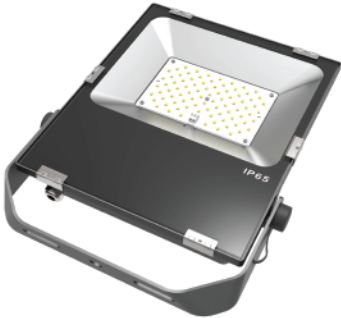
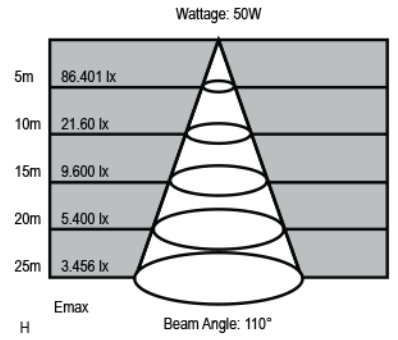
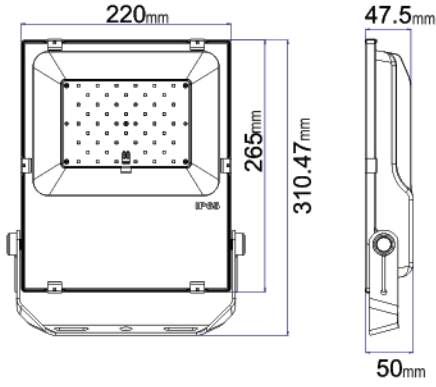


DUAPL2-30

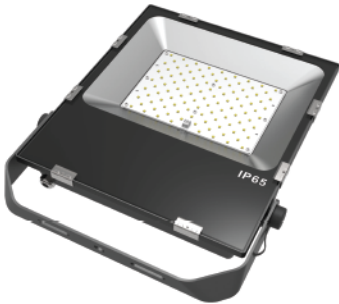
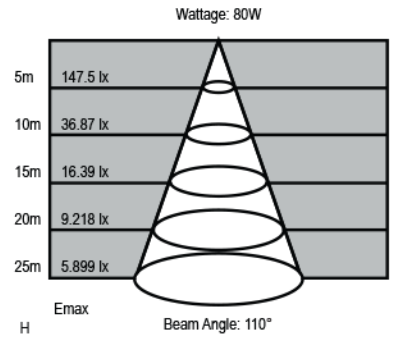
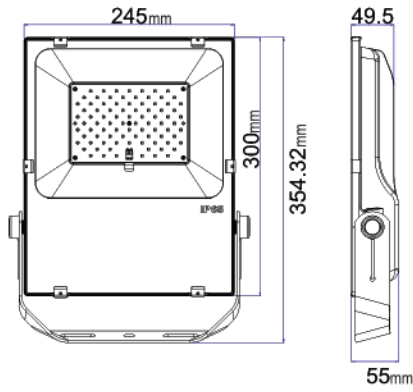




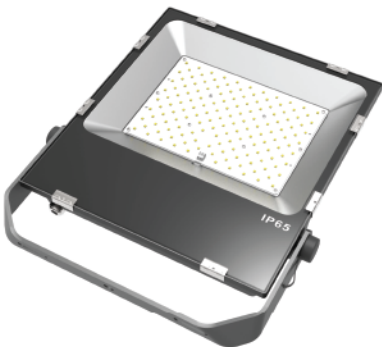
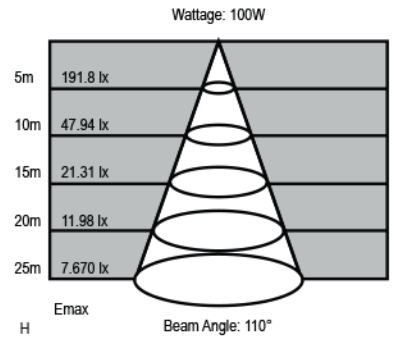
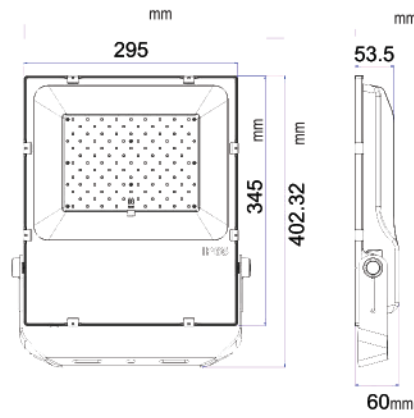
DUAPL2-50



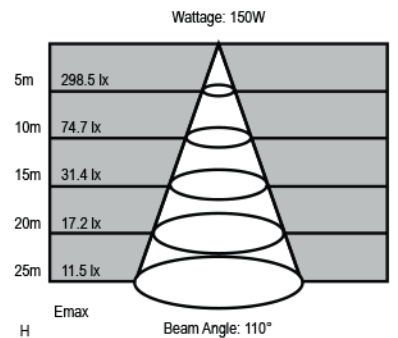
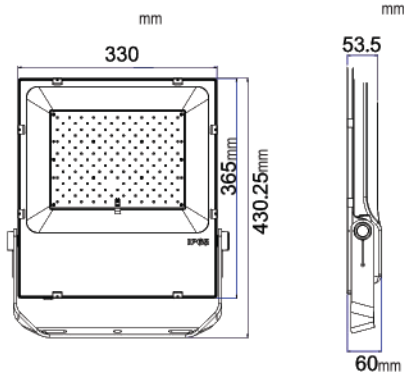
DUAPL2-80

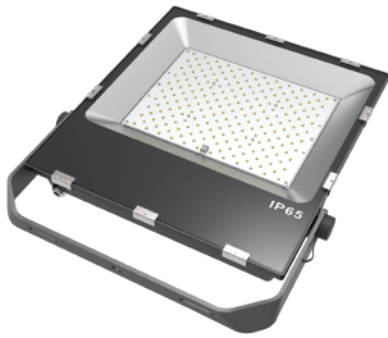


DUAPL2-100

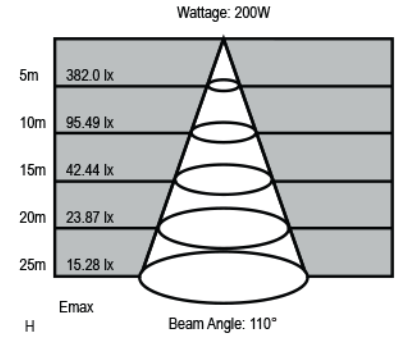
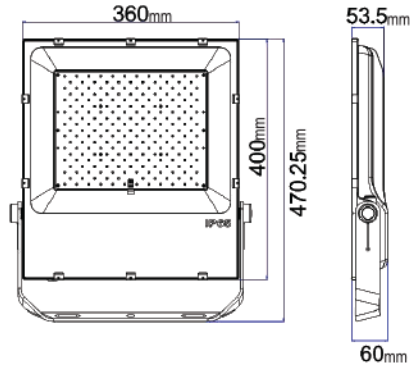


DUAPL2-150





DUAPL2-200



## Technical Specifications

Model	Power [ W ]	LED type	Luminous flux [ lm ]	Luminous efficacy [ lm/W ]	CCT [ k ]	Beam angle	CRI [ Ra ]	EAN
DUAPL2-10	10	SMD	990	99	3000	110°	> 80	6290112000652
DUAPL2-20	20		2100	105				6290112000669
DUAPL2-30	30		3240	108				6290112000676
DUAPL2-50	50		5500	110				6290112000683
DUAPL2-80	80		9120	114				6290112000690
DUAPL2-100	100		11600	116				6290112000706
DUAPL2-150	150		17700	118				6290112000713
DUAPL2-200	200		24000	120				6290112000720

## Electrical Specifications

Rated Supply Voltage	220-240V
Input Voltage	100-260V <sub>AC</sub>
Frequency	50/60Hz