



Bello Wave

DOWNLIGHTS



Description

Bello Wave, LED Downlight, uses SMD LEDs and built-in LED driver for indoor applications. Housing is made of polycarbonate material.

Product Features

- SMD LEDs
- Installation: Recessed Mounted
- IP Rating: IP20
- Life-span: 50,000 hours

Electrical Specifications

- Rated Supply Voltage: 220-240V
- Frequency: 50/60Hz

Applications



Offices



Showrooms



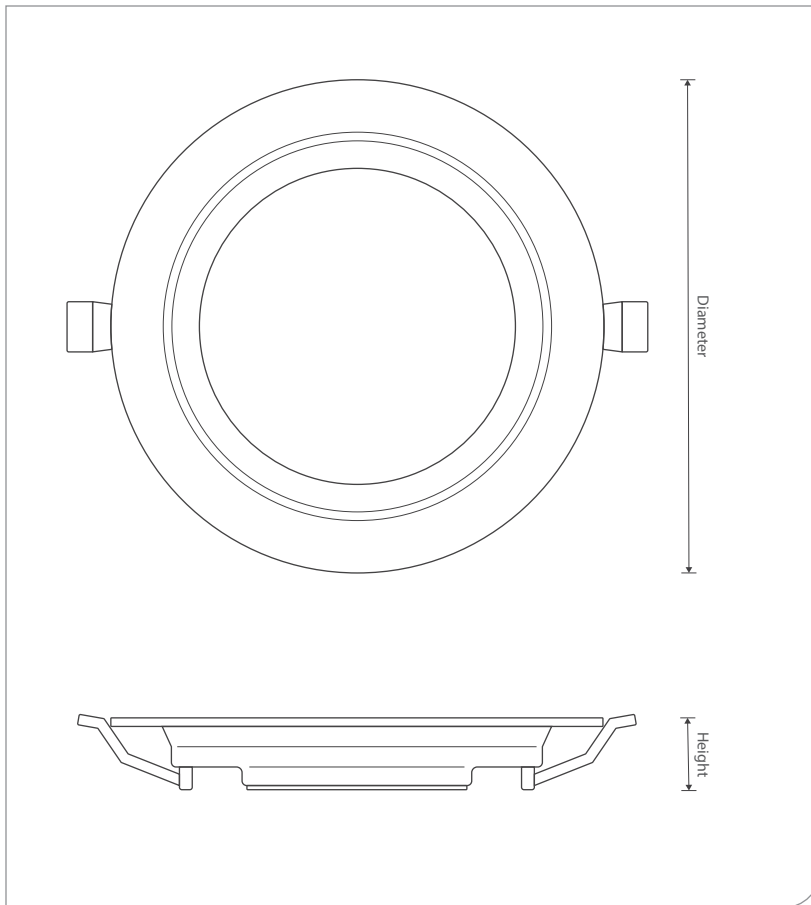
Restaurants



Residential & Commercial Buildings



Technical Drawing



Dimensions

Model	Diameter	Height
DUBEWE-06	Φ 110mm	22.5mm
DUBEWE-10	Φ 145mm	22.5mm
DUBEWE-15	Φ 170mm	22.5mm
DUBEWE-20	Φ 220mm	22.5mm

Technical Specifications

Model	Power [W]	LED type	Luminous flux [lm]	Luminous efficacy [lm/W]	CCT [K]	Beam angle	Cut-out [mm]	CRI [Ra]
DUBEWE-06	6W	SMD LEDs	570 lm	95 lm/W	3000K	180°	98mm	>80
DUBEWE-10	10W		950 lm		4000K		125mm	
DUBEWE-15	15W		1425 lm		6500K		150mm	
DUBEWE-20	20W		1900 lm		205mm			