

LED Bollard



DuLight LED Bollard uses EPISTAR SMDs and DuLight LED Drivers for outdoor applications. Housing is made of die-cast aluminum with black color coating. Luminaire uses UV stabilized PC diffuser.

Product Features:

- EPISTAR SMD LEDs
- Built-in DuLight LED Driver
- Stylish design with uniform light output
- Impact resistant PC diffuser
- Installation: Surface mounted
- Working temperature: -20°C to 50°C
- IP rating: IP65
- Life span: 30,000 hours

Applications:



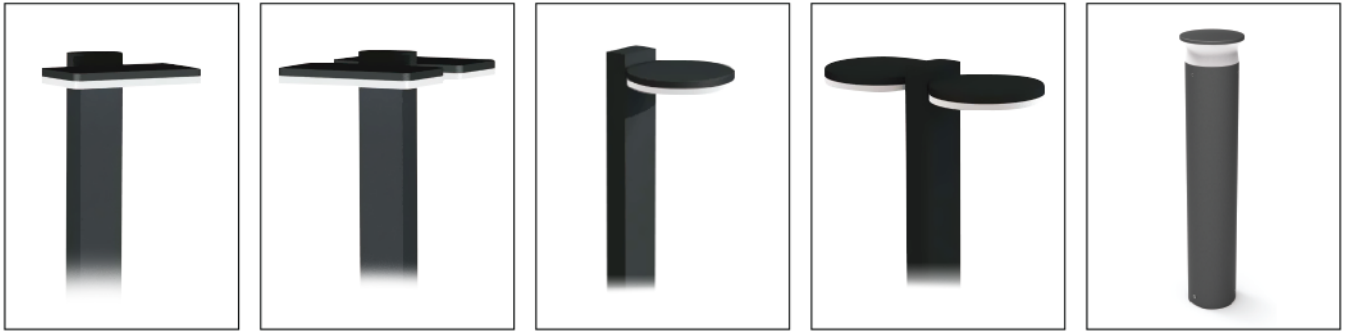
Landscape Lighting



Gardens

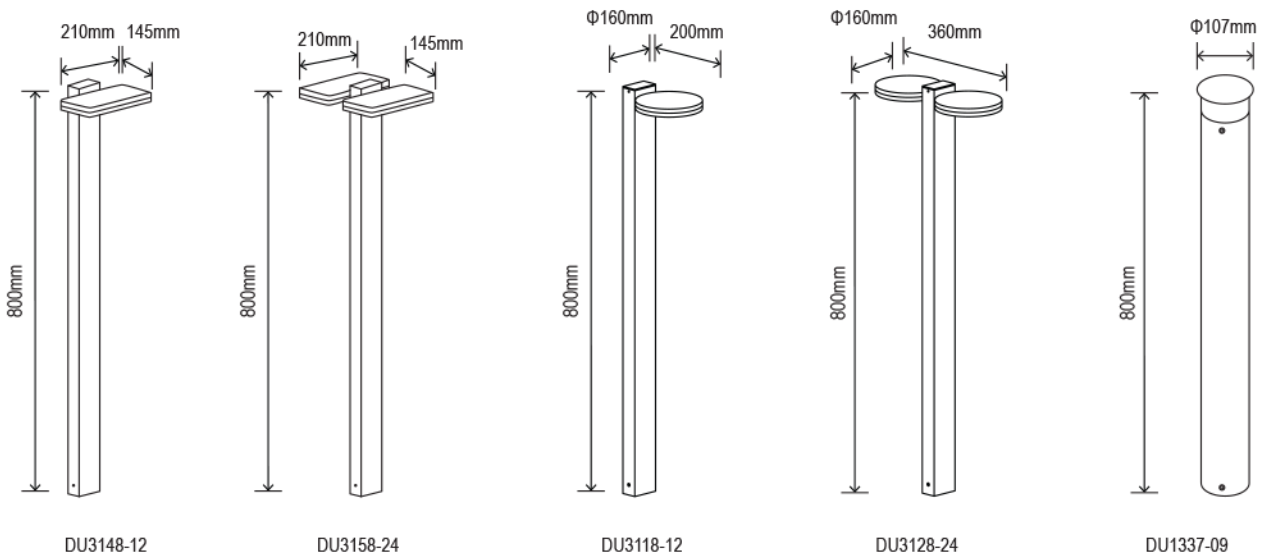


Shopping Malls



EPISTAR

Dimensions



Note: Also available in 500mm & 1000mm heights.

Technical Specifications

Model	Power [W]	LED type	Luminous flux [lm]	Luminous efficacy [lm/W]	CCT [k]	Beam angle	CRI [Ra]	EAN
DU3148-12	12		1000	83				6291210000285
DU3158-24	2x12		2000	83	3000			6291210000292
DU3118-12	12	SMD	960	80	4000	120°	> 80	6291210000308
DU3128-24	2x12		1965	82	6000			6291210000476
DU1337-09	9		720	80				6291210000230

Electrical Specifications

Rated Supply Voltage	220-230V
Input Voltage	140-265V _{AC}
Frequency	50/60Hz