

## F-60MZ2 Ceiling Fan - Regulator Control Series



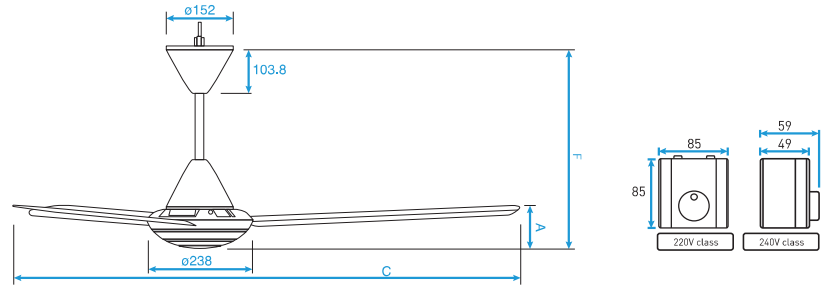
Non-Gloss Gold



220V

### Dimension

Unit: mm



Pipe Type	9 inch	12 inch	16 inch	18 inch	22 inch
Pipe Length	229	305	406	457	559
F	375.7	451.7	552.7	603.7	705.7

Model No.	A	C
F-60MZ2	84.2	$\phi 1,500$

- Compact size condenser controlled regulator
- 5-speed selection
- Thermal fuse prevent overheating or power surge
- Safety wire provided
- Cut-off safety switch equipped
- Fall prevention of blade adopted
- Permanently lubricated ball-bearing assembly
- Color: Body - White

### Specification

Model No.	Hz	•	Consumption [W]	R.P.M. [min <sup>-1</sup> ]	Air Velocity		Air Delivery		Weight [kg]
					[m/min]	[ft/min]	[m <sup>3</sup> /min]	[ft <sup>3</sup> /min]	
F-60MZ2	50	Hi	66	225	150	492	215	7,593	6.1
		Lo	15	94	-	-	-	-	
	60	Hi	78	234	155	509	225	7,946	
		Lo	16	92	-	-	-	-	

\* Hi-Notch 5 / Lo-Notch 1

Note: The value in Specification table are representative characteristics value at 220V, 50Hz. R.P.M. data is for reference only, values may vary subject to different conditions.

## F-409Q Cycle Fan



Blue

- Oscillation over 360°
- 5-speed and on/off by wired regulator
- Easy angle adjustment
- Metal blade
- Color: Blue or Gold

### Adjustment of Circulating Angle

The oscillation angle can be adjusted to 15,30 or 50 degrees.

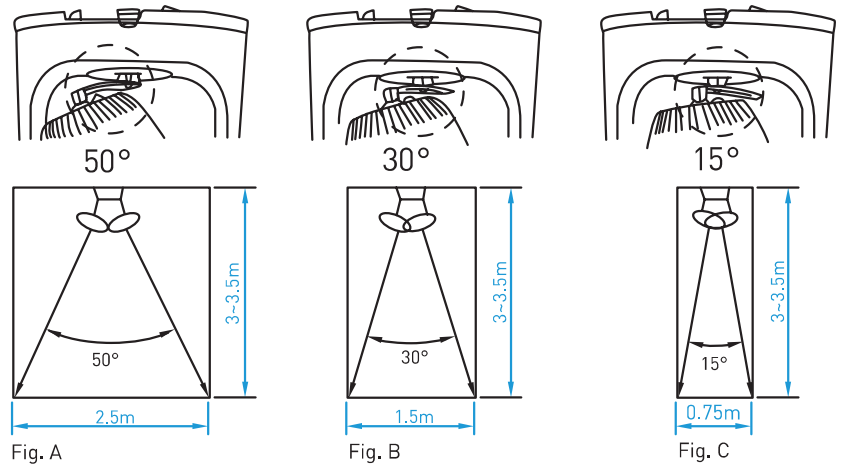


Fig. A

Fig. B

Fig. C

### Specification

Model No.	Hz		Consumption [W]	R.P.M. [min <sup>-1</sup> ]	Air Velocity		Air Delivery		Weight [kg]
					[m/min]	[ft/min]	[m <sup>3</sup> /min]	[ft <sup>3</sup> /min]	
F-409Q	50	Hi	46.8 - 57.2	1,080 - 1,320	256	840	79	2,790	4.3
		Lo	22.5 - 27.5	690 - 850	-	-	-	-	
	60	Hi	57.7 - 70.5	1,160 - 1,410	277	909	86	3,037	
		Lo	26.6 - 32.5	710 - 860	-	-	-	-	