

Estilo MH



Estilo MH LED Adjustable Spotlight uses LUMINUS and BRIDGELUX COB LED and DuLight LED Driver for indoor applications. Housing is made of die-cast aluminum coated with powder paint. Luminaire uses high quality PC Reflector.

Product Features:

- LUMINUS / BRIDGELUX COB with high lumen output
- DuLight / TRIDONIC LED Driver
- Luminaire uses Anti-glare PMMA diffuser
- High quality PC reflector
- Different beam angle options are available
- Luminaire can be rotated 350° horizontally & 60° vertically
- Installation: Recessed mounted
- IP rating: IP20
- Life-span: 30,000 - 50,000 hours

Applications:



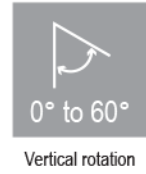
Shopping Malls



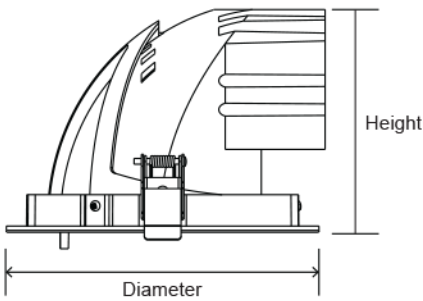
Showrooms



Shops

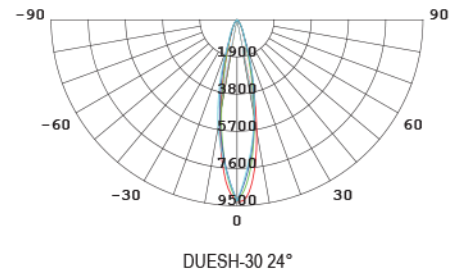


Dimensions

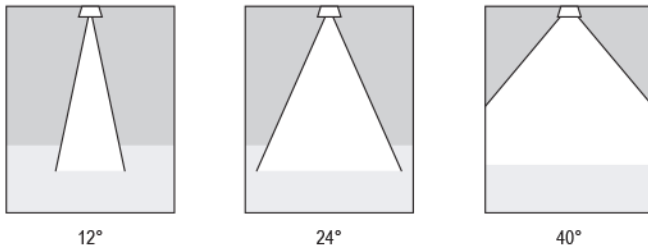


Model	Diameter	Height
DUESMH-09	96mm	74mm
DUESMH-18	124mm	100mm
DUESMH-30	162mm	135mm
DUESMH-50	190mm	160mm
DUESMH1-12	102mm	74mm
DUESMH1-20	132mm	92mm
DUESMH1-30	162mm	116mm

Photometric Diagrams



Beam angle options



Technical Specifications

Model	Power [W]	LED type	Luminous flux [lm]	Luminous efficacy [lm/W]	CCT [k]	Beam angle	CRI [Ra]	Cut-out [mm]	EAN
DUESMH-09	9	COB	745	83	3000	12°	> 80	85	6290512000276
DUESMH-18	18		1585	88				115	6290512000283
DUESMH-30	30		2700	90				150	6290512000290
DUESMH-50	50		4650	93	4000	24°		175	6290512000306
DUESMH1-12	12		875	73	6500	40°		95	6290512000115
DUESMH1-20	20		1500	75				125	6290512000124
DUESMH1-30	30		2400	80				145	6290512000132

Electrical Specifications

Rated Supply Voltage	220-240V
Input Voltage	198-264VAC
Frequency	50/60Hz