

HIGH-BAY LUMINAIRES

HIGH EFFICIENCY AND OPTIMUM QUALITY OF LIGHT

HIGH BAY DALI

Page 146

HIGH BAY DALI
HIGH BAY DALI CLO



PERFOR-
MANCE
CLASS

EFFICIENT AND EASY TO INSTALL, DALI WITH CLO* AVAILABLE

- High compatibility thanks to DALI-2 certification
- D-marking for mounting on surfaces with limited surface temperature
- Low-flicker light thanks to special electronic control gear

* CLO = Constant Lumen Output

HIGH BAY

Page 152

HIGH BAY GEN 2
HIGH BAY GEN 1



PERFOR-
MANCE
CLASS

FOR HIGH LIGHTING DEMANDS

- High luminous efficacy
- Different versions for ceiling heights from 4.5 m to 20 m
- Low-flicker light thanks to special electronic control gear

HIGH BAY DALI ACCESSORIES

Page 150

HIGH BAY DALI BRACKET
HIGH BAY DALI REFLECTOR
HIGH BAY DALI REFRACTOR



ACCESSORIES FOR OPTIMUM QUALITY OF LIGHT

- High-quality aluminum reflector or polycarbonate refractor for tool-free mounting with a 70°/80° beam angle
- Sturdy steel bracket; can be swiveled by +/- 90°

HIGH BAY VALUE

Page 156

HIGH BAY VALUE
HIGH BAY VALUE
BRACKET



VALUE
CLASS

GOOD LIGHTING FOR EVERYDAY APPLICATIONS

- Very homogeneous light distribution thanks to diffuse cover made of tempered glass
- Optimized weight and size
- Modern and exclusive LEDVANCE design



TRUE PROS – HIGH BAY DALI

HIGH BAY DALI CLO: HIGH ENERGY EFFICIENCY THROUGH CONSTANT LUMINOUS FLUX

- CLO version with constant luminous flux thanks to lumen maintenance throughout its lifetime
- High compatibility with light management systems, dimmers and sensors thanks to DALI 2.0 interface
- Attractive system efficiency of up to 140 lm/W

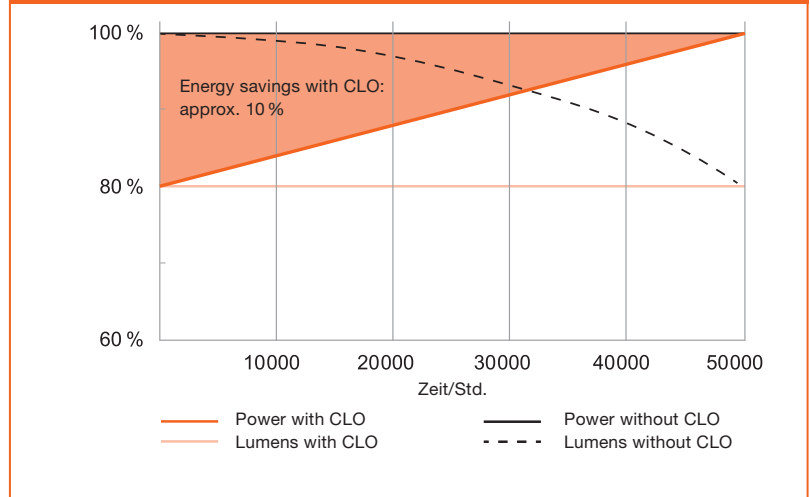


Refractor



Reflector

CONSTANT LUMEN OUTPUT THROUGHOUT THE ENTIRE LIFE OF 50,000 HOURS – THE HIGH BAY DALI CLO* VERSION



* CLO = Constant Lumen Output

USEFUL ACCESSORIES FOR INCREASED QUALITY OF LIGHT:

- Polycarbonate refractor for additional indirect lighting and attractive lighting effect in representative applications (70° or 80° beam angle)
- 80° aluminum reflector for lighting with increased visual comfort; also suitable for high ceiling heights

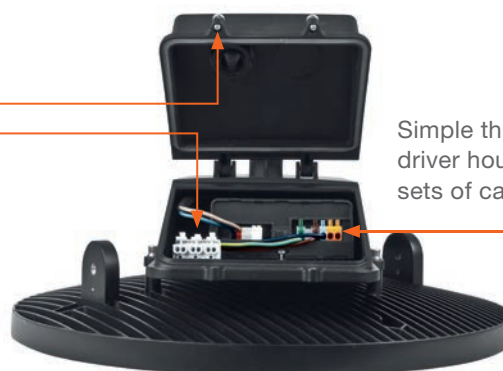
DID YOU KNOW?

Simple click-in installation for the refractor and reflector

NEW: SIMPLIFIED INSTALLATION AND THROUGH-WIRING

Simplified installation:

- Only 2 captive screws in the driver cover for opening
- Button connector inside



Simple through-wiring thanks to recess in the driver housing and push-button terminal for two sets of cables

HIGH BAY DALI

LED high-bay luminaires with DALI interface



PRODUCT FEATURES

- Robust aluminum housing with integrated connection box, high-quality PC cover
- Ambient temperature in operation: -30...+50 °C
- High luminous efficacy: up to 140 lm/W
- Through-wiring possible, second PG screw connection included
- Reflector and refractor available as accessories for optimum directional light

PRODUCT BENEFITS

- High compatibility thanks to DALI-2 certification
- D-marking for mounting on surfaces with limited surface temperature
- Low flicker light thanks to special electronic control gear
- DALI 2.0 interface for dimming and sensor operations
- Easy electrical connection due to push button connector

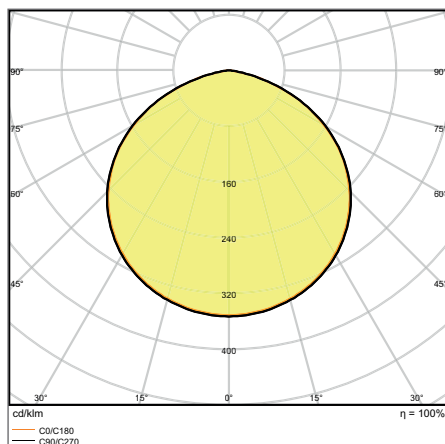
AREAS OF APPLICATION

- Replacement for high bay luminaires with mercury vapor or metal halide lamps
- Warehouses
- Logistics halls
- Industry
- High ceiling (e.g. in shopping malls, airports, commercial buildings, lobbies)

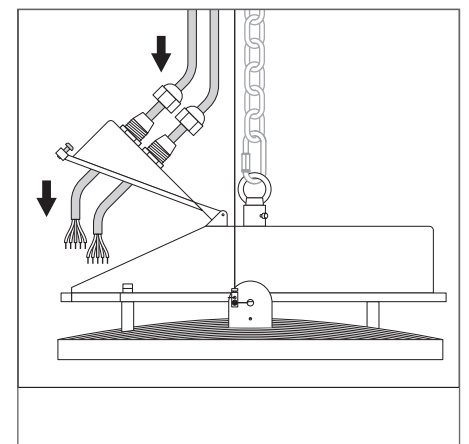
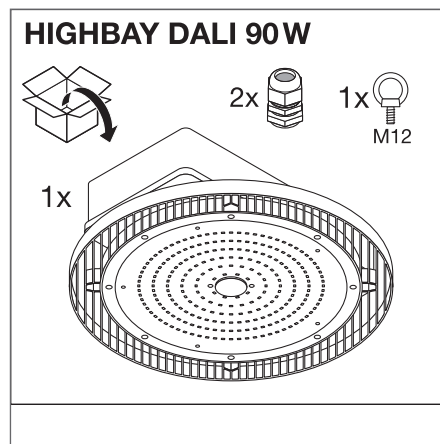
EQUIPMENT / ACCESSORIES

- Mounting hook included
- Mounting brackets and reflectors as separate accessory available*

FURTHER PRODUCT DETAILS



HB DALI 155 W 4000 K 115 DEG IP65 BK



* Please note: available = available as an optional accessory.
 † Refer to www.ledvance.com/guarantee for precise conditions

The pictures shown in the catalog are for illustration purposes only. For information on size and color, please refer to the product table.

Product name	Segmentation	GTIN (EAN)	RE-PLACE-MENT-FOR	W	lm	lm/W	K	L70	L80 ¹	△	⤵
HB DALI 90 W 4000 K 115 DEG IP65 BK	■	4058075130685	250W HID	90	13000	140	4000	80000	50000	115	DALI
HB DALI 155 W 4000 K 115 DEG IP65 BK	■	4058075130678	400W HID	155	22000	140	4000	80000	50000	115	DALI



Product name	CRI	FLICKER VALUE	IK	Ⓜ	L × W × H [mm] ∅ × H [mm]
HB DALI 90 W 4000 K 115 DEG IP65 BK	>80	<10 %	IK08	3170	330 x 130
HB DALI 155 W 4000 K 115 DEG IP65 BK	>80	<10 %	IK08	4985	360 x 131

¹ t [h]: L70/B50 @ 25 °C (Ta) / t [h]: L80/B10 @ 25 °C (Ta)

HIGH BAY DALI CONSTANT LUMEN OUTPUT

LED high-bay luminaires with DALI interface and constant lumen function



PRODUCT FEATURES

- Robust aluminum housing with integrated connection box, high-quality PC cover
- Luminous flux (lumen) is adjusted over the entire life (kept constant)
- Ambient temperature in operation: -30... +50 °C
- Through-wiring possible, second PG screw connection included
- Reflector and refractor available as accessories for optimum directional light

PRODUCT BENEFITS

- High energy savings due to the same luminous flux throughout the entire lifetime
- Energy savings of up to 90 % compared to conventional high bay luminaires
- D-marking for mounting on surfaces with limited surface temperature
- Low flicker light thanks to special electronic control gear
- DALI 2.0 interface for dimming and sensor operations

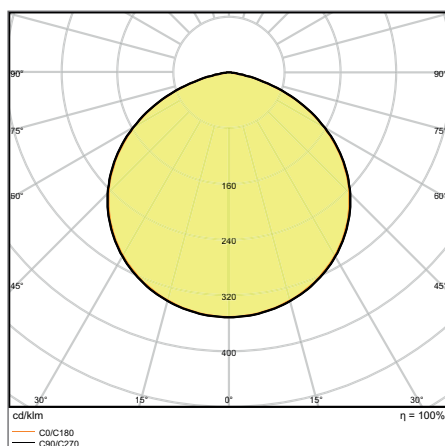
AREAS OF APPLICATION

- Replacement for high bay luminaires with mercury vapor or metal halide lamps
- Warehouses
- Logistics halls
- Industry
- High ceiling (e.g. in shopping malls, airports, commercial buildings, lobbies)

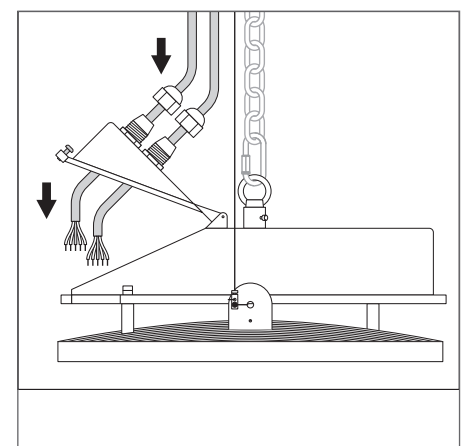
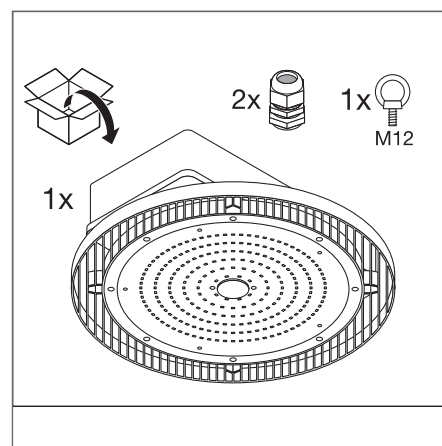
EQUIPMENT / ACCESSORIES

- Mounting hook included
- Mounting brackets and reflectors as separate accessory available*

FURTHER PRODUCT DETAILS



HB DALI CLO 155 W 4000 K 115DEG
IP65 BK



* Please note: available = available as an optional accessory.
 † Refer to www.ledvance.com/guarantee for precise conditions

The pictures shown in the catalog are for illustration purposes only. For information on size and color, please refer to the product table.

Product name	Segmentation	GTIN (EAN)	RE-PLACE-MENT-FOR	W	lm	lm/W	K	°	°	
HB DALI CLO 90 W 4000 K 115 DEG IP65 BK	■	4058075130661	250W HID	75...90	10500	115	4000	115	DALI	
HB DALI CLO 155 W 4000 K 115 DEG IP65 BK	■	4058075130654	400W HID	125...155	17500	115	4000	115	DALI	



Product name	CRI	FLICKER VALUE	IK	Ⓜ	L x W x H [mm] Ø x H [mm]
HB DALI CLO 90 W 4000 K 115 DEG IP65 BK	>80	<10 %	IK08	3170	330 x 130
HB DALI CLO 155 W 4000 K 115 DEG IP65 BK	>80	<10 %	IK08	4985	360 x 131



HIGH BAY DALI ACCESSORIES

Reflectors, refractors and mounting accessories for High Bay DALI luminaires



- DALI Reflector: high-quality aluminum reflector with safety cable in 2 diameters
- DALI Refractor: PC refractor with 2 diameters – 413 mm 80° + 480 mm 70°, safety cable included
- DALI Bracket: black steel bracket, adjustable swivel angle +/- 90°

Product name	GTIN (EAN)	L x W x H [mm] Ø x H [mm]	MATERIAL	COLOR	80°	70°	No.
HB DALI REFLECTOR 90 W 80 DEG SI	4058075157453	406 x 204	Aluminum	Silver	80	1	1
HB DALI REFLECTOR 155 W 80 DEG SI	4058075157477	472 x 224	Aluminum	Silver	80	1	1
HB DALI REFRACTOR 90 W 80DEG CL	4058075305922	413 x 259	Polycarbonate (PC)	Clear	80	2	2
HB DALI REFRACTOR 155 W 70DEG CL	4058075305939	480 x 295	Polycarbonate (PC)	Clear	70	2	2
HB DALI BRACKET 90 W	4058075157484	263 x 213 x 40	Steel	Black	-	4	3
HB DALI BRACKET 155 W	4058075157507	277 x 233 x 40	Steel	Black	-	4	3

¹ Refer to www.ledvance.com/guarantee for precise conditions



HIGH BAY Gen 2

High-bay luminaires up to 135 lm/W



PRODUCT FEATURES

- Robust aluminum housing with 1.5 m connection cable 3 x 1,5 sqmm, high-quality PC cover
- Ambient temperature in operation: -30...+50 °C
- High luminous efficacy: up to 135 lm/W
- Includes mounting bracket and hook for surface-mounted or suspended installation
- Type of protection: IP65

PRODUCT BENEFITS

- High luminous efficacy
- Usable from 4.5 m to 20 m ceiling height
- Low flicker light thanks to special electronic control gear
- D-marking for mounting on surfaces with limited surface temperature
- 5 years guarantee

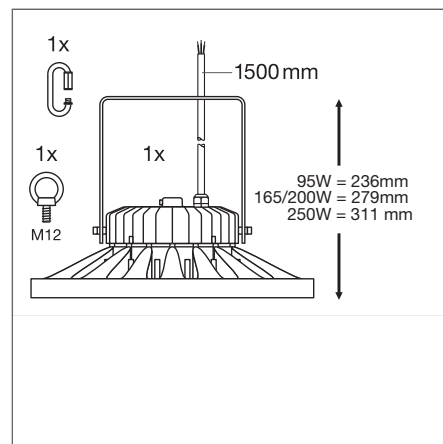
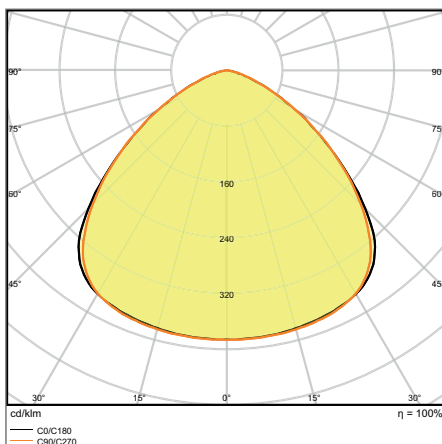
AREAS OF APPLICATION

- Replacement for high bay luminaires with mercury vapor or metal halide lamps
- Warehouses
- Logistics halls
- Industry
- Indoor and outdoor

EQUIPMENT / ACCESSORIES

- Mounting hook and brackets included

FURTHER PRODUCT DETAILS



HB 200 W 4000 K 110DEG IP65 BK

¹ Refer to www.ledvance.com/guarantee for precise conditions

The pictures shown in the catalog are for illustration purposes only. For information on size and color, please refer to the product table.

Product name	Segmentation	GTIN (EAN)	RE-PLACE-MENT-FOR	W	lm	lm/W	K	L70 ¹	L80 ¹	°
HB 95 W 4000 K 90DEG IP65 BK	■	4058075074330	250W HID	95	13000	135	4000	50000	35000	90
HB 95 W 4000 K 110DEG BK IP65	■	4058075074354	250W HID	95	13000	135	4000	50000	35000	110
HB 95 W 6500 K 90DEG IP65 BK	■	4058075074347	250W HID	95	13000	135	6500	50000	35000	90
HB 165 W 4000 K 70DEG BK IP65	■	4058075074361	400W HID	165	22000	135	4000	50000	35000	70
HB 165 W 6500 K 70DEG IP65 BK	■	4058075074378	400W HID	165	22000	135	6500	50000	35000	70
HB 200 W 4000 K 110DEG IP65 BK	■	4058075074385	500W HID	200	27000	135	4000	50000	35000	110



Product name	CRI	IK	g	CABLE LENGTH	L x W x H [mm] Ø x H [mm]
HB 95 W 4000 K 90DEG IP65 BK	>80	IK08	3135	1500	285 x 129.5
HB 95 W 4000 K 110DEG BK IP65	>80	IK08	3135	1500	285 x 129.5
HB 95 W 6500 K 90DEG IP65 BK	>80	IK08	3135	1500	285 x 129.5
HB 165 W 4000 K 70DEG BK IP65	>80	IK08	4365	1500	376 x 139
HB 165 W 6500 K 70DEG IP65 BK	>80	IK08	4365	1500	376 x 139
HB 200 W 4000 K 110DEG IP65 BK	>80	IK08	4365	1500	376 x 139

¹ t [h]: L70/B50 @ 25 °C (Ta) / t [h]: L80/B10 @ 25 °C (Ta)

HIGH BAY Gen 1

High-bay luminaires up to 110 lm/W



PRODUCT FEATURES

- Robust aluminum housing with 1.5 m connection cable 3 x 1,5 sqmm, high-quality PC cover
- Ambient temperature in operation: -30...+50 °C
- Available with beam angle: 70°, 90°, 110°
- Includes mounting bracket and hook for surface-mounted or suspended installation
- Type of protection: IP65

PRODUCT BENEFITS

- High luminous efficacy
- Planning variability through different beam angles
- Low flicker light thanks to special electronic control gear
- D-marking for mounting on surfaces with limited surface temperature
- 5 years guarantee

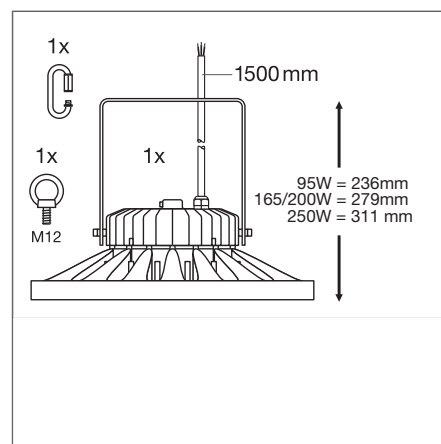
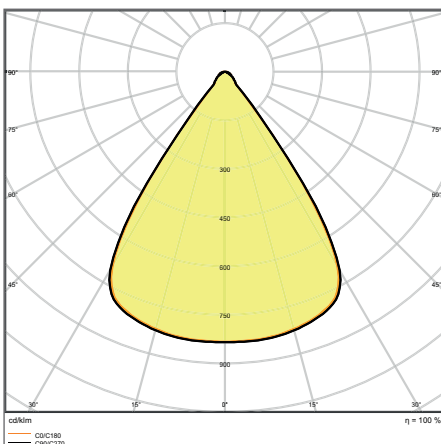
AREAS OF APPLICATION

- Replacement for high bay luminaires with mercury vapor or metal halide lamps
- Warehouses
- Logistics halls
- Industry
- Indoor and outdoor

EQUIPMENT / ACCESSORIES

- Mounting hook and brackets included

FURTHER PRODUCT DETAILS



HIGH BAY LED 250 W 4000 K BK

¹ Refer to www.ledvance.com/guarantee for precise conditions

The pictures shown in the catalog are for illustration purposes only. For information on size and color, please refer to the product table.

Product name	Segmentation	GTIN (EAN)	RE-PLACE-MENT-FOR	W	lm	lm/W	K	L70 ¹	L80 ¹	°
HIGH BAY LED 250 W 4000 K BK	■	4058075255432	500W HID	250	30000	120	4000	50000	35000	70
HIGH BAY LED 250 W 6500 K BK	■	4058075255449	500W HID	250	30000	120	6500	50000	35000	70



Product name	CRI	IK	Ⓔ	CABLE LENGTH	L x W x H [mm] ∅ x H [mm]
HIGH BAY LED 250 W 4000 K BK	≥80	IK08	7650	1500	452x160
HIGH BAY LED 250 W 6500 K BK	≥80	IK08	7650	1500	452x160

¹ t [h]: L70/B50 @ 25 °C (Ta) / t [h]: L80/B10 @ 25 °C (Ta)

HIGH BAY VALUE

High-bay luminaires up to 110 lm/W



PRODUCT FEATURES

- Housing made of robust aluminum, black, similar to RAL 9017 with 0.5 m connection cable
- Operating temperature: -20...50 °C
- High luminous efficacy: up to 100 lm/W
- Type of protection: IP65
- Glare index: UGR ≤ 25

PRODUCT BENEFITS

- Replacement for HQI 250/400W
- Compact, attractive design: weight and size optimized, driver integrated
- Good problem solver due to low weight (<2.26 kg)
- 3 years guarantee

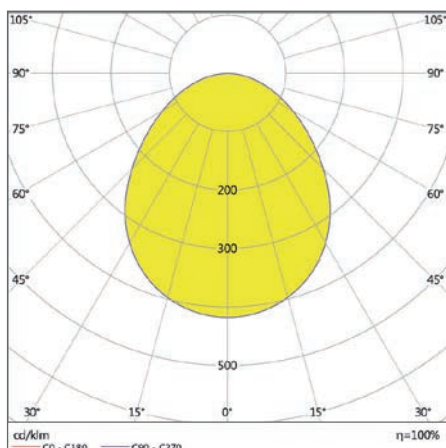
AREAS OF APPLICATION

- Replacement for high bay luminaires with mercury vapor or metal halide lamps
- Warehouses
- Logistics halls
- Industry
- High ceiling (e.g. in shopping malls, airports, commercial buildings, lobbies)

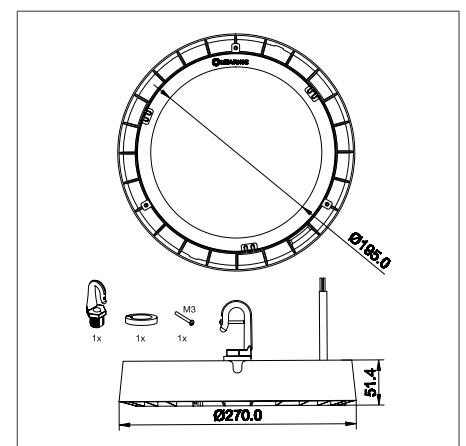
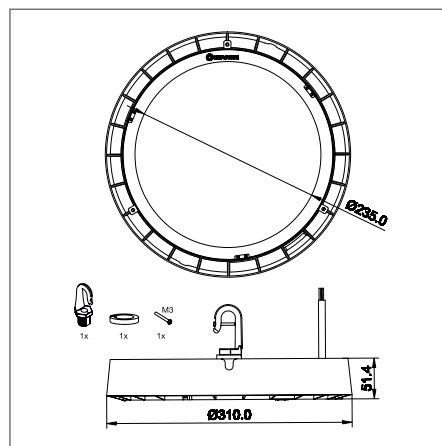
EQUIPMENT / ACCESSORIES

- Bracket available*

FURTHER PRODUCT DETAILS



HIGH BAY VALUE 200 W 4000 K 100DEG
IP65 BK



* Please note: available = available as an optional accessory.
¹ Refer to www.ledvance.com/guarantee for precise conditions

The pictures shown in the catalog are for illustration purposes only. For information on size and color, please refer to the product table.

Product name	Segmentation	GTIN (EAN)	W	lm	lm/W	K	L70 ¹	L80 ¹	°
NEW HIGH BAY VALUE 100 W 4000 K 100 DEG IP65 BK	■	4058075408395	100	10000	100	4000	50000	32000	100
NEW HIGH BAY VALUE 100 W 6500 K 100 DEG IP65 BK	■	4058075408425	100	10000	100	6500	50000	32000	100
NEW HIGH BAY VALUE 150 W 4000 K 100 DEG IP65 BK	■	4058075408432	150	16000	106	4000	50000	32000	100
NEW HIGH BAY VALUE 150 W 6500 K 100 DEG IP65 BK	■	4058075408449	150	16000	106	6500	50000	32000	100
NEW HIGH BAY VALUE 200 W 4000 K 100 DEG IP65 BK	■	4058075408456	200	20000	100	4000	50000	32000	100
NEW HIGH BAY VALUE 200 W 6500 K 100 DEG IP65 BK	■	4058075408463	200	20000	100	6500	50000	32000	100



Product name	CRI	IK	g	CABLE LENGTH	L x W x H [mm] Ø x H [mm]
NEW HIGH BAY VALUE 100 W 4000 K 100 DEG IP65 BK	>80	IK06	1338	500	230x51.4
NEW HIGH BAY VALUE 100 W 6500 K 100 DEG IP65 BK	>80	IK06	1338	500	230x51.4
NEW HIGH BAY VALUE 150 W 4000 K 100 DEG IP65 BK	>80	IK06	1772	500	270x51.4
NEW HIGH BAY VALUE 150 W 6500 K 100 DEG IP65 BK	>80	IK06	1772	500	270x51.4
NEW HIGH BAY VALUE 200 W 4000 K 100 DEG IP65 BK	>80	IK06	2260	500	310x51.4
NEW HIGH BAY VALUE 200 W 6500 K 100 DEG IP65 BK	>80	IK06	2260	500	310x51.4

¹ t [h]: L70/B50 @ 25 °C (Ta) / t [h]: L80/B10 @ 25 °C (Ta)

HIGH BAY VALUE BRACKET

Mounting accessory for HIGH BAY VALUE luminaires



- DALI Reflector: high-quality aluminum reflector with safety cable in 2 diameters
- DALI Refractor: PC refractor with 2 diameters – 413 mm 80° + 480 mm 70°, safety cable included
- DALI Bracket: black steel bracket, adjustable swivel angle +/- 90°

Product name	Segmentation	GTIN (EAN)	L x W x H [mm] Ø x H [mm]
HIGH BAY VALUE BRACKET 100 W		4058075423350	148 x 22 x 110
HIGH BAY VALUE BRACKET 150 W		4058075423374	186 x 35 x 125
HIGH BAY VALUE BRACKET 200 W		4058075423398	229 x 35 x 140

