



Patron® LS Pro

WEATHERPROOF LIGHTS



Description

Patron LS Pro, LED Weatherproof luminaire, uses SMD LEDs for indoor and outdoor applications. Housing is made of aluminum material. Luminaire uses high-quality PC diffuser as a light diffusing agent.

Product Features

- SMD LEDs
- Excellent replacement for traditional fittings
- Installation: Surface Mounted/ Wall mounted
- Working temperature: -20°C to 50°C
- 0-1/10V dimming, DALI dimming, emergency (optional)
- IP Rating: IP65
- Life-Span: 50,000 hours

Electrical Specifications

- Rated Supply Voltage: 220-240VAC
- Frequency: 50/60Hz

Applications



Supermarkets



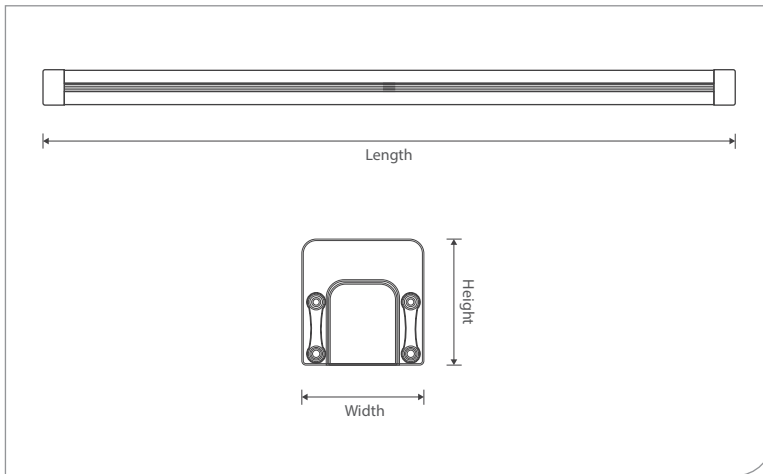
Cold Storages



Parkings



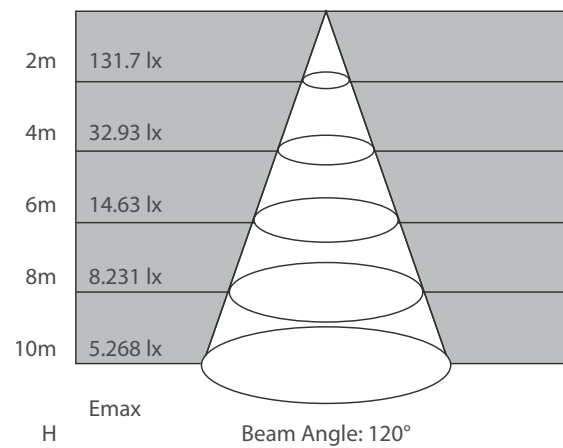
Technical Drawing



Dimensions

Model	Length	Width	Height
DUPLSPRO-18	635mm	90mm	75mm
DUPLSPRO-36	1270mm	90mm	75mm
DUPLSPRO-45	1588mm	90mm	75mm

Light Distribution Curve



Technical Specifications

Model	Power [W]	LED type	Luminous flux [lm]	Luminous efficacy [lm/W]	CCT [K]	Beam angle	CRI [Ra]
DUPLSPRO-18	18W	SMD LEDs	2160 lm	120 lm/W	3000K	120°	>80
DUPLSPRO-36	36W		4320 lm		4000K		
DUPLSPRO-45	45W		5400 lm		6000K		