

SPOTLIGHTS

IMPRESSIVE ALL ROUND: OUR SPOTLIGHTS

SPOT VARIO

Page 26



PERFORMANCE CLASS

VERSATILE SWIVEL SPOTLIGHT FOR THE RETAIL AREA

- Ideal for accent lighting thanks to highly flexible tilt and swivel capability
- Easy replacement of the external driver thanks to plug with bayonet connection
- Low-flicker light < 10 %

SPOT MULTI

Page 28



PERFORMANCE CLASS

POWERFUL MULTI-SPOTLIGHT WITH GIMBAL

- Low-flicker light < 10 %
- Flexible application thanks to excellent anti-glare properties UGR < 16
- Light-proof housing

SPOT SQUARE ADJUST

Page 30



PERFORMANCE CLASS

Attractive square spotlight

- Cut-off angle for good glare reduction and high visual comfort
- Energy savings of up to 90 % compared with halogen lamp spotlights
- Housing made of die-cast aluminum for improved heat dissipation

SPOT ROUND ADJUST

Page 32

SPOT ADJUST
SPOT ADJUST DALI



PERFORMANCE CLASS

ADJUSTABLE REPLACEMENT FOR HALOGEN SPOTLIGHT

- Extended range of applications through versions with DALI or switchable driver
- Energy savings of up to 90 % compared with halogen lamp spotlights
- Simple installation for 3–20 mm ceiling thickness

SPOT ROUND FIX

Page 34

SPOT DIM

SPOT FIREPROOF FIX:

- SPOT FIREPROOF DIM
- SPOT FIREPROOF

SPOT DARKLIGHT



PERFORMANCE CLASS

VERSATILE FAMILY

- Various versions such as IP44, IP65 and dimmable for a wide range of applications
- Energy savings of up to 90 % compared with halogen lamp spotlights
- Simple installation for 3–20 mm ceiling thickness

SPOT KIT

Page 25



VALUE CLASS

LAMP FANS LOVE IT

- Replaceable LED lamp with GU10 base
- Direct replacement for conventional 50W halogen recessed luminaires
- Single light point optics

SPOT KIT

Recessed mounted spotlight, GU10 lamp included



PRODUCT FEATURES

- White aluminum injection-molded ring with bayonet connection for lamp replacement
- Spot can be swiveld 20° into all directions
- Beam angle: 36°
- Diameter of required ceiling cut-out: 75 mm

PRODUCT BENEFITS

- Replaceable LED lamp with GU10 base included
- Direct replacement for conventional 50 W halogen luminaires
- Single spot optics
- Dimmable on the leading edge and trailing edge
- 3 years guarantee

AREAS OF APPLICATION

- Corridors
- Shop lighting
- Living rooms
- Foyers

Product name	Segmentation	GTIN (EAN)	REPLACE-MENT FOR	W	lm	lm/W	K	L70 ¹	∠	⤵
SP KIT ADJ 7 W 4000 K GU10 DIM	■	4058075156784	65W HAL	7	500	70	4000	25000	36	✓

Product name	CRI	UGR	∠	L x W x H [mm]	∅ x H [mm]
SP KIT ADJ 7 W 4000 K GU10 DIM	>80	<19	75	88.5 x 107	

¹ Refer to www.ledvance.com/guarantee for precise conditions

The pictures shown in the catalog are for illustration purposes only. For information on size and color, please refer to the product table.

SPOT VARIO

Recessed mounted spotlight, swivelable



PRODUCT FEATURES

- Housing material: aluminum
- Rotation angle: 0°...350°, tilt angle: 0°...35°
- Beam angle: 24°
- Large faceted reflector for high light output

PRODUCT BENEFITS

- Ideal for accent lighting thanks to highly flexible tilt and swivel capability
- Easy replacement of external driver thanks to plug with bayonet lock
- Low-flicker light
- Die-cast aluminum housing for improved heat dissipation
- 5 years guarantee

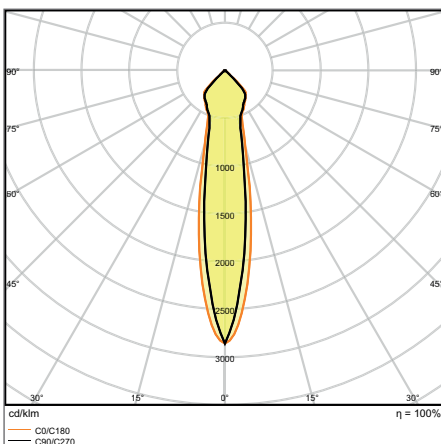
AREAS OF APPLICATION

- Accent- and general lighting for all kind of salesrooms
- Retail
- Supermarkets
- Shops, boutiques
- Hotel rooms

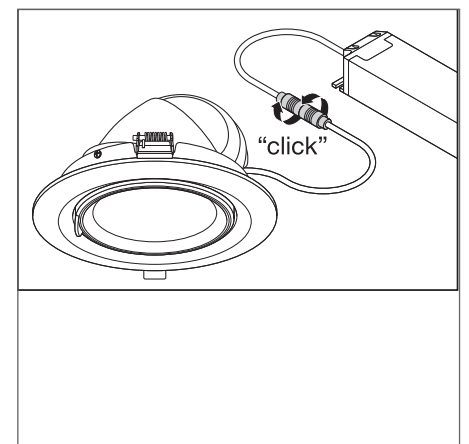
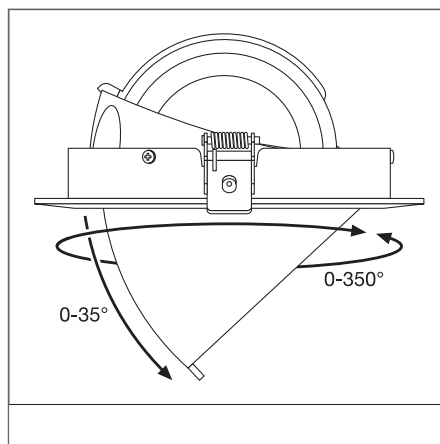
EQUIPMENT / ACCESSORIES

- Driver included

FURTHER PRODUCT DETAILS



SPOT VARIO DN 170 35 W 4000 K
24DEG WT



¹ Refer to www.ledvance.com/guarantee for precise conditions

The pictures shown in the catalog are for illustration purposes only. For information on size and color, please refer to the product table.

Product name	Segmentation	GTIN (EAN)	RE-PLACE-MENT-FOR	W	lm	lm/W	K	L70 ¹	L80 ¹	°
SPOT VARIO DN 170 35 W 3000 K 24DEG WT	■	4058075104020	1x70W HID	35	3350	95	3000	50000	45000	24
SPOT VARIO DN 170 35 W 4000 K 24DEG WT	■	4058075104044	1x70W HID	35	3550	100	4000	50000	45000	24



Product name	CRI	FLICKER VALUE	Beam angle	Mounting	L x W x H [mm] Ø x H [mm]
SPOT VARIO DN 170 35 W 3000 K 24DEG WT	>80	<10 %	170	1126	180 x 129
SPOT VARIO DN 170 35 W 4000 K 24DEG WT	>80	<10 %	170	1126	180 x 129

¹ t [h]: L70/B50 @ 25 °C (Ta) / t [h]: L80/B10 @ 25 °C (Ta)

SPOT MULTI

Recessed mounted spotlight, swivelable



PRODUCT FEATURES

- Housing material: aluminum
- Housing, black; frame, white
- One driver per luminaire head (1-, 2-, 3-lamp)
- Gimbal adjustment angle: +/- 25°

PRODUCT BENEFITS

- Low-flicker light
- Flexible application thanks to excellent anti-glare properties UGR
- Light-proof housing
- Easy replacement of external driver thanks to plug with bayonet lock

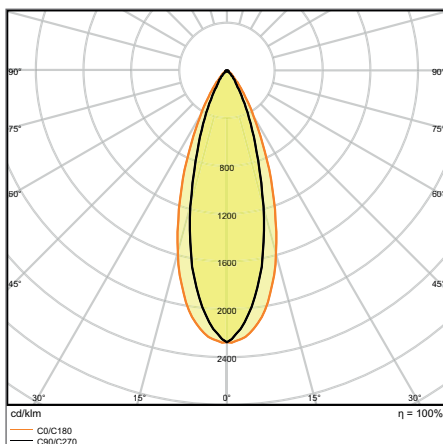
AREAS OF APPLICATION

- Accent- and general lighting for all kind of salesrooms
- Fashion shops, accessories shops
- Shops, boutiques
- Hotel rooms
- Cafés

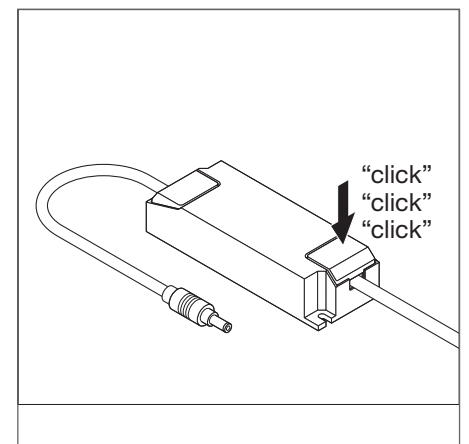
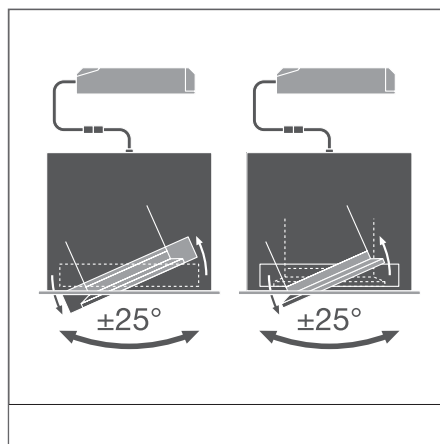
EQUIPMENT / ACCESSORIES

- Driver included

FURTHER PRODUCT DETAILS



SPOT MULTI 2x 30W 4000K FL



¹ Refer to www.ledvance.com/guarantee for precise conditions

The pictures shown in the catalog are for illustration purposes only. For information on size and color, please refer to the product table.

Product name	Segmentation	GTIN (EAN)	RE-PLACE-MENT-FOR	W	lm	lm/W	K	L70 ¹	L80 ¹	°
SPOT MULTI 1 x 30W 3000K FL WT/BK	■	4058075113923	1x35W HID	30	2700	90	3000	50000	45000	38
SPOT MULTI 1 x 30W 4000K FL WT/BK	■	4058075113947	1x35W HID	30	2700	90	4000	50000	45000	38
SPOT MULTI 2 x 30W 3000K FL WT/BK	■	4058075113961	2x35W HID	2*30	2*2700	90	3000	50000	45000	38
SPOT MULTI 2 x 30W 4000K FL WT/BK	■	4058075113985	2x35W HID	2*30	2*2700	90	4000	50000	45000	38
SPOT MULTI 3 x 30W 3000K FL WT/BK	■	4058075114005	3x35W HID	3*30	3*2700	90	3000	50000	45000	38
SPOT MULTI 3 x 30W 4000K FL WT/BK	■	4058075114029	3x35W HID	3*30	3*2700	90	4000	50000	45000	38

Product name	CRI	FLICKER VALUE	Ø	H	L x W x H [mm]	Ø x H [mm]	No.
SPOT MULTI 1 x 30W 3000K FL WT/BK	>80	<10 %	164	160	1540	173 x 173 x 135	1
SPOT MULTI 1 x 30W 4000K FL WT/BK	>80	<10 %	164	160	1540	173 x 173 x 135	1
SPOT MULTI 2 x 30W 3000K FL WT/BK	>80	<10 %	320	160	2700	330 x 173 x 135	3
SPOT MULTI 2 x 30W 4000K FL WT/BK	>80	<10 %	320	160	2700	330 x 173 x 135	3
SPOT MULTI 3 x 30W 3000K FL WT/BK	>80	<10 %	475	160	3870	487 x 173 x 135	2
SPOT MULTI 3 x 30W 4000K FL WT/BK	>80	<10 %	475	160	3870	487 x 173 x 135	2

¹ t [h]: L70/B50 @ 25 °C (Ta) / t [h]: L80/B10 @ 25 °C (Ta)

SPOT SQUARE ADJUST

Recessed mounted spotlight, adjustable, square shape



PRODUCT FEATURES

- High-quality, square die-cast aluminum housing for better heat dissipation, matt black and white
- Adjustable tilt angle: +/- 20°
- Low-flicker light

PRODUCT BENEFITS

- Cut off angle for comfortable indoor lighting
- Energy savings of up to 90 % compared to halogen lamp spotlights
- Die-cast aluminum housing for improved heat dissipation
- External driver for extended flexibility (compatible with selected DALI drivers)
- 5 years guarantee

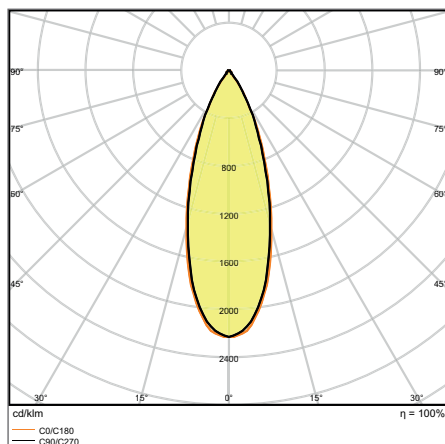
AREAS OF APPLICATION

- Replacement of halogen lamp spotlights
- General accent lighting
- Shops, boutiques
- Hotel rooms
- Bars, restaurants

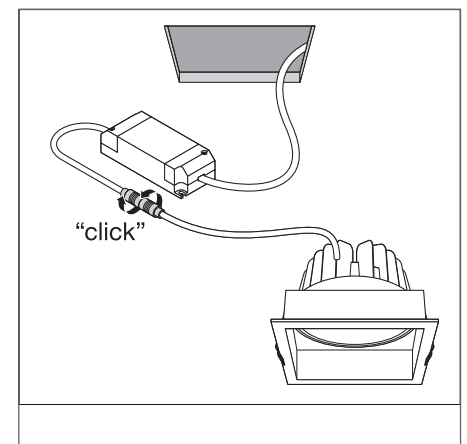
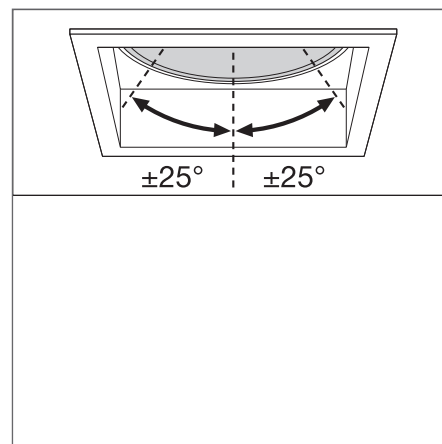
EQUIPMENT / ACCESSORIES

- Driver included

FURTHER PRODUCT DETAILS



SPOT SQUARE DK ADJ 8 W 3000 K WT



¹ Refer to www.ledvance.com/guarantee for precise conditions

The pictures shown in the catalog are for illustration purposes only. For information on size and color, please refer to the product table.

Product name	Segmentation	GTIN (EAN)	RE-PLACE-MENT-FOR	W	lm	lm/W	K	L70 ¹	L80 ¹	°
SPOT SQUARE DK ADJ 8 W 3000 K WT	■	4058075114043	75W HAL	8	650	90	3000	50000	45000	36
SPOT SQUARE DK ADJ 8 W 3000 K BK	■	4058075114067	75W HAL	8	650	90	3000	50000	45000	36



Product name	CRI	FLICKER VALUE	∠	L x W x H [mm] Ø x H [mm]	Light No.
SPOT SQUARE DK ADJ 8 W 3000 K WT	>80	<10 %	83 x 83	90 x 90 x 72	2
SPOT SQUARE DK ADJ 8 W 3000 K BK	>80	<10 %	83 x 83	90 x 90 x 72	3

¹ t [h]: L70/B50 @ 25 °C (Ta) / t [h]: L80/B10 @ 25 °C (Ta)

SPOT ROUND ADJUST

Recessed mounted spotlight, adjustable, round shape



PRODUCT FEATURES

- Die-cast aluminum housing, white
- Adjustable tilt angle: +/- 20°
- Available with DALI or switchable driver

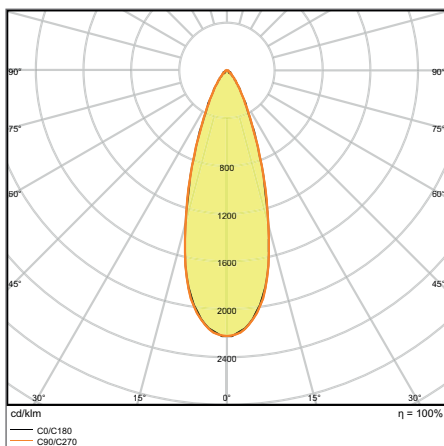
PRODUCT BENEFITS

- Extended range of applications through versions with DALI or switchable driver
- Energy savings of up to 90 % compared to halogen lamp spotlights
- Easy installation for ceiling thickness: 3-20 mm
- 5 years guarantee

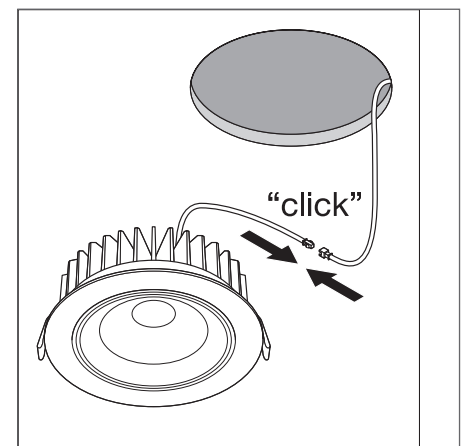
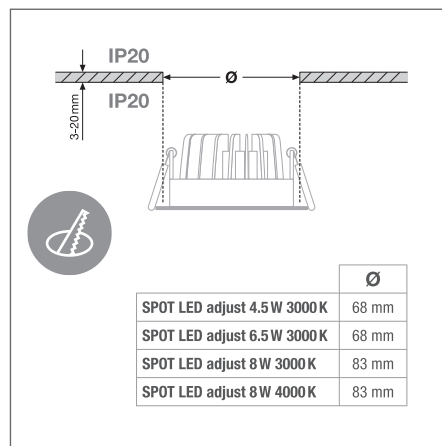
AREAS OF APPLICATION

- Replacement of halogen lamp spotlights
- General illumination
- Hotel rooms
- Bars, restaurants
- Accent lighting

FURTHER PRODUCT DETAILS



SPOT ADJUST 8 W 4000 K WT



¹ Refer to www.ledvance.com/guarantee for precise conditions

The pictures shown in the catalog are for illustration purposes only. For information on size and color, please refer to the product table.

Product name	Segmentation	GTIN (EAN)	RE-PLACE-MENT FOR	W	lm	lm/W	K	L70	L80		
SPOT ADJUST 4.50 W 3000 K WT	■	4058075126886	35W HAL	5	360	80	3000	50000	40000	36	-
SPOT ADJUST 6.50 W 3000 K WT	■	4058075126909	50W HAL	7	550	85	3000	50000	40000	36	-
SPOT ADJUST 8 W 3000 K WT	■	4058075126848	75W HAL	8	660	85	3000	50000	40000	36	-
SPOT ADJUST 8 W 4000 K WT	■	4058075126862	75W HAL	8	720	90	4000	50000	40000	36	-
SPOT ADJUST DALI 8 W 3000 K IP20 WT	■	4058075219946	75W HAL	8	660	85	3000	50000	40000	36	DALI
SPOT ADJUST DALI 8 W 4000 K IP20 WT	■	4058075219922	75W HAL	8	720	90	4000	50000	40000	36	DALI



Product name	CRI	IK		L x W x H [mm]	Ø x H [mm]
SPOT ADJUST 4.50 W 3000 K WT	>80	IK06	68	80 x 36	
SPOT ADJUST 6.50 W 3000 K WT	>80	IK06	68	80 x 36	
SPOT ADJUST 8 W 3000 K WT	>80	IK06	83	90 x 47	
SPOT ADJUST 8 W 4000 K WT	>80	IK06	83	90 x 47	
SPOT ADJUST DALI 8 W 3000 K IP20 WT	>80	IK06	83	90 x 47	
SPOT ADJUST DALI 8 W 4000 K IP20 WT	>80	IK06	83	90 x 47	

¹ t [h]: L70/B50 @ 25 °C (Ta) / t [h]: L80/B10 @ 25 °C (Ta)

SPOT ROUND FIX

Recessed mounted spotlight, fixed, round shape



PRODUCT FEATURES

- Aluminum housing available in white or silver
- Lens material: PMMA
- Type of protection, front side: IP44
- Compatible with standard ceiling cutouts of 68 mm

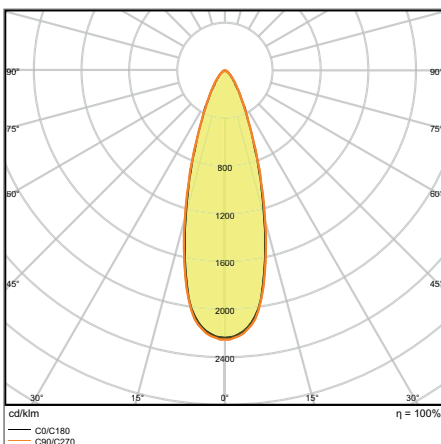
PRODUCT BENEFITS

- Special design with conical aluminum ring
- Energy savings of up to 90 % compared to halogen lamp spotlights
- Easy installation for ceiling thickness: 3–20 mm
- 5 years guarantee

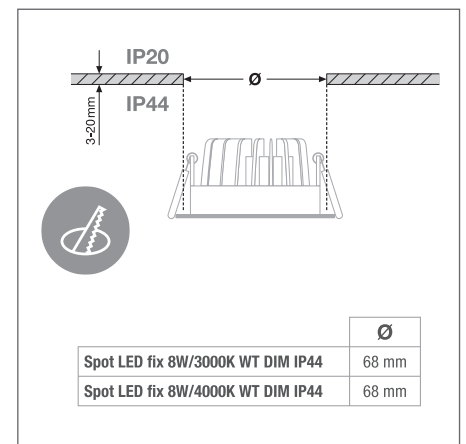
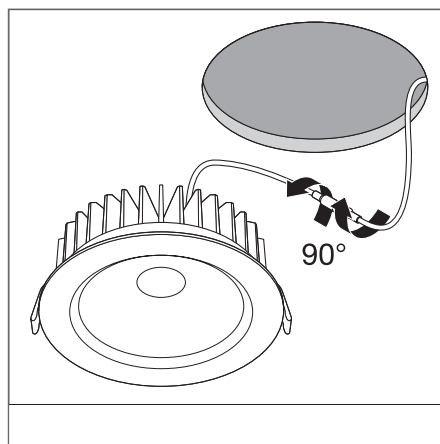
AREAS OF APPLICATION

- Replacement of halogen lamp spotlights
- General illumination
- Hotel rooms
- Bars, restaurants
- Accent lighting

FURTHER PRODUCT DETAILS



SPOT FIX DIM 8 W 4000 K IP44/IP20 SI



¹ Refer to www.ledvance.com/guarantee for precise conditions

The pictures shown in the catalog are for illustration purposes only. For information on size and color, please refer to the product table.

Product name	Segmentation	GTIN (EAN)	RE-PLACE-MENT-FOR	W	lm	lm/W	K	L70	L80		
SPOT FIX DIM 8 W 3000 K IP44/IP20 SI	■	4058075126923	75W HAL	8	620	75	3000	50000	40000	36	✓
SPOT FIX DIM 8 W 3000 K IP44/IP20 WT	■	4058075127043	75W HAL	8	620	75	3000	50000	40000	36	✓
SPOT FIX DIM 8 W 4000 K IP44/IP20 SI	■	4058075127067	75W HAL	8	670	80	4000	50000	40000	36	✓
SPOT FIX DIM 8 W 4000 K IP44/IP20 WT	■	4058075127104	75W HAL	8	670	80	4000	50000	40000	36	✓



Product name	CRI	IK		L x W x H [mm] Ø x H [mm]
SPOT FIX DIM 8 W 3000 K IP44/IP20 SI	>80	IK06	68	81 x 51
SPOT FIX DIM 8 W 3000 K IP44/IP20 WT	>80	IK06	68	81 x 51
SPOT FIX DIM 8 W 4000 K IP44/IP20 SI	>80	IK06	68	81 x 51
SPOT FIX DIM 8 W 4000 K IP44/IP20 WT	>80	IK06	68	81 x 51

¹ t [h]: L70/B50 @ 25 °C (Ta) / t [h]: L80/B10 @ 25 °C (Ta)

SPOT FIREPROOF FIX

Recessed mounted spotlight, round shape, fire-resistant



PRODUCT FEATURES

- Die-cast aluminum housing, white
- Fire-resistant (up to 90 minutes, tested in accordance with EN 1365-2:2014, fire resistance tests for loadbearing elements - Part 2: Floors and roofs¹*)
- Type of protection, front side: IP65
- Dimmable (with suitable Phase-cut dimmers)

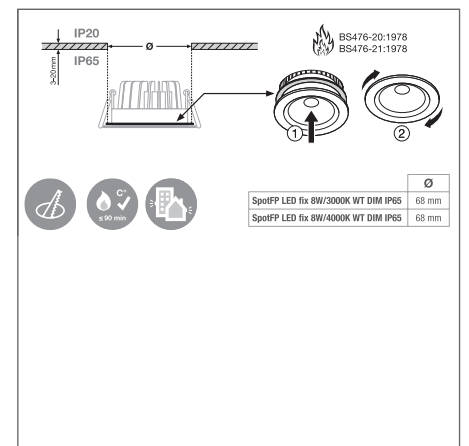
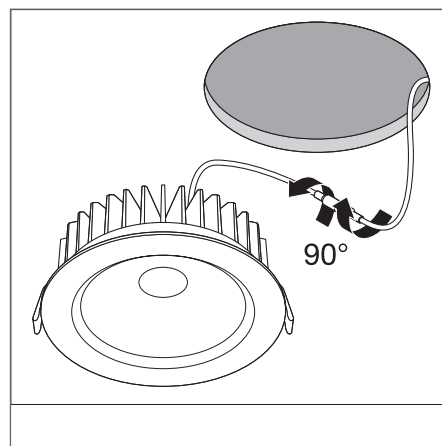
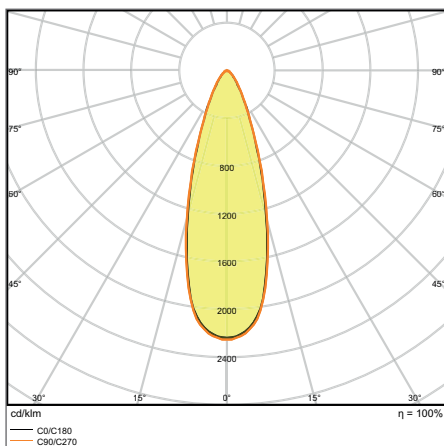
PRODUCT BENEFITS

- Recessed spotlight usable for fire protection applications
- Energy savings of up to 90 % compared to halogen lamp spotlights
- Easy installation for ceiling thickness: 3–20 mm
- Designed for extra IP protection
- 5 years guarantee

AREAS OF APPLICATION

- Replacement of halogen lamp spotlights
- Hotel rooms
- Bars, restaurants
- Bathrooms
- Accent lighting

FURTHER PRODUCT DETAILS



SPOT FP FIX DIM 8 W 4000 K IP65/IP20 WT

* Coordination with your responsible fire protection inspector is required in advance!
¹ Refer to www.ledvance.com/guarantee for precise conditions

The pictures shown in the catalog are for illustration purposes only. For information on size and color, please refer to the product table.

SPOT FIREPROOF DIM

Recessed mounted spotlight, round shape, fire-resistant, dimmable

Product name	Segmentation	GTIN (EAN)	RE-PLACE-MENT FOR	W	lm	lm/W	K	L70 ¹	L80 ¹		
SPOT FP FIX DIM 8 W 3000 K IP65/IP20 WT	■	4058075127432	75W HAL	8	620	75	3000	50000	40000	36	✓
SPOT FP FIX DIM 8 W 4000 K IP65/IP20 WT	■	4058075127555	75W HAL	8	670	80	4000	50000	40000	36	✓
SPOT FP FIX DIM 8 W 3000 K IP65/IP20 SI	■	4058075127371	75W HAL	8	620	75	3000	50000	40000	36	✓
SPOT FP FIX DIM 8 W 4000 K IP65/IP20 SI	■	4058075127494	75W HAL	8	670	80	4000	50000	40000	36	✓



Product name	CRI	IK		L x W x H [mm] Ø x H [mm]	
SPOT FP FIX DIM 8 W 3000 K IP65/IP20 WT	>80	IK06	68	81 x 51	1
SPOT FP FIX DIM 8 W 4000 K IP65/IP20 WT	>80	IK06	68	81 x 51	1
SPOT FP FIX DIM 8 W 3000 K IP65/IP20 SI	>80	IK06	68	81 x 51	2
SPOT FP FIX DIM 8 W 4000 K IP65/IP20 SI	>80	IK06	68	81 x 51	2

SPOT FIREPROOF

Recessed mounted spotlight, round shape, fire-resistant

Product name	Segmentation	GTIN (EAN)	RE-PLACE-MENT FOR	W	lm	lm/W	K	L70 ¹	L80 ¹	
SPOT FP FIX 7 W 3000 K IP65/IP20 WT	■	4058075127333	50W HAL	7	530	75	3000	50000	40000	38



Product name	CRI	IK		L x W x H [mm] Ø x H [mm]	
SPOT FP FIX 7 W 3000 K IP65/IP20 WT	>80	IK06	68	90 x 72	1

¹ t [h]: L70/B50 @ 25 °C (Ta) / t [h]: L80/B10 @ 25 °C (Ta)

SPOT DARKLIGHT

Recessed mounted spotlight, round shape, Darklight with cut-off



PRODUCT FEATURES

- Die-cast aluminum housing, white
- Type of protection, front side: IP44
- Diameter of required ceiling cut-out: 63 mm

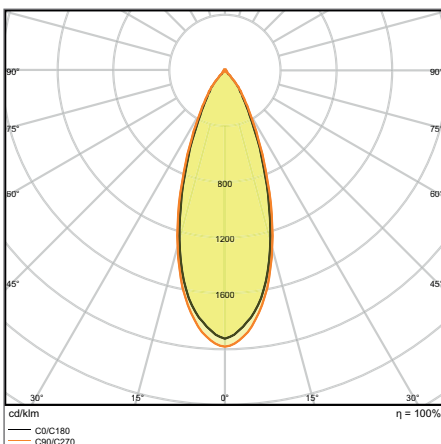
PRODUCT BENEFITS

- 70° cut off angle - perfect for shelf lighting
- Energy savings of up to 90 % compared to halogen lamp spotlights
- Easy installation for ceiling thickness: 3–20 mm
- 5 years guarantee

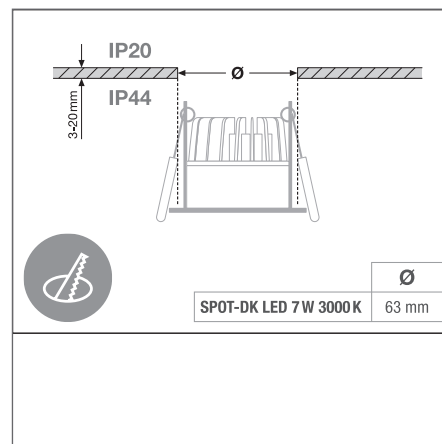
AREAS OF APPLICATION

- Replacement of conventional 50 W halogen spotlights
- Hotel rooms
- Bars, restaurants
- Bathrooms
- Shelf and undercabinet lighting

FURTHER PRODUCT DETAILS



SPOT DK FIX 7 W 3000 K IP44/IP20 WT



¹ Refer to www.ledvance.com/guarantee for precise conditions

The pictures shown in the catalog are for illustration purposes only. For information on size and color, please refer to the product table.

Product name	Segmentation	GTIN (EAN)	RE-PLACE-MENT-FOR	W	lm	lm/W	K	L70 ¹	L80 ¹	°
SPOT DK FIX 7 W 3000 K IP44/IP20 WT	■	4058075127166	50W HAL	7	580	85	3000	50000	40000	36



Product name	CRI	IK	∅	L x W x H [mm]	∅ x H [mm]
SPOT DK FIX 7 W 3000 K IP44/IP20 WT	>80	IK06	63	70x58	

¹ t [h]: L70/B50 @ 25 °C (Ta) / t [h]: L80/B10 @ 25 °C (Ta)