

TRACKLIGHTS

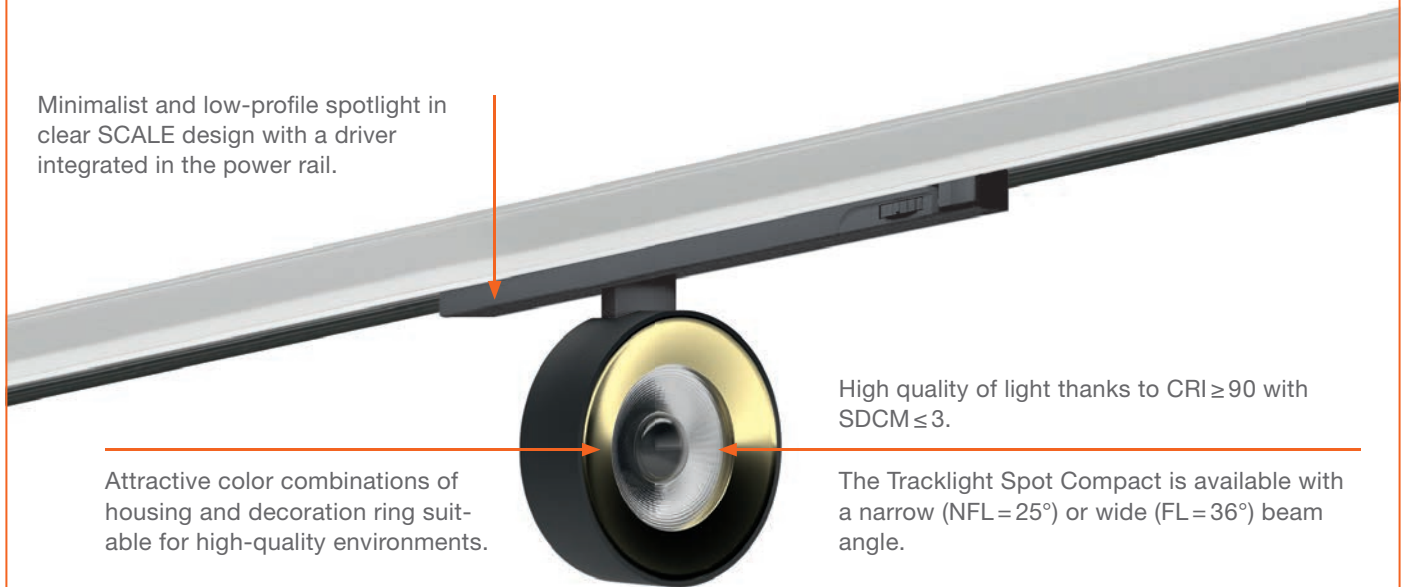
REDUCED DESIGN, EXTENSIVE FUNCTIONS

TRACKLIGHT SPOT COMPACT

Design spotlight – aesthetic and functional
Page 42

PERFOR-
MANCE
CLASS

Minimalist and low-profile spotlight in clear SCALE design with a driver integrated in the power rail.



Attractive color combinations of housing and decoration ring suitable for high-quality environments.

High quality of light thanks to $CRI \geq 90$ with $SDCM \leq 3$.

The Tracklight Spot Compact is available with a narrow ($NFL = 25^\circ$) or wide ($FL = 36^\circ$) beam angle.

Choice of color for housing + ring:



Matt white (WT)
+ titanium



Matt black (BK)
+ gold



Concrete gray (GY)
+ chrome



OUR SPOTLIGHTS ARE ALSO CHARACTERIZED BY THE FOLLOWING SHARED QUALITY FEATURES:

- Included 3-phase adapter compatible with common power rails (such as NORLUX, GLOBAL, NUCO, NORDIC)
- High material quality thanks to die-cast aluminum housing
- High flexibility thanks to tilt and swivel joints



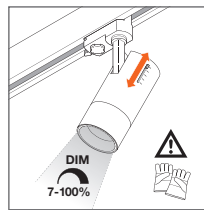
TRACKLIGHT SPOT ZOOM DIM

Accurately focused light for flexible illumination

Page 44

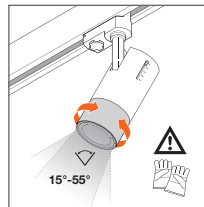
PERFORMANCE CLASS

Outstanding quality of light thanks to CRI ≥ 97 with Ra9 > 90 (color rendering of red tones) and low-flicker light (< 10 %).



DIM FUNCTION

Dimmable (7 %–100 %) by means of a slider on the housing; DIM level visible on a scale.



ZOOM LENS

Mechanical ZOOM lens made of high-quality PMMA with adjustable beam angle (15°–55°); angle visible on a scale on the lens holder. The ZOOM mechanism concealed in the housing keeps the shape of the housing unchanged.

Choice of color for housing:



TRACKLIGHT SPOT

Simply compact – a true all-rounder: Excellent light comfort thanks to CRI ≥ 90, SDCM ≤ 3 and UGR < 16. They master a wide range of lighting tasks thanks to replaceable, dust-proof reflectors and various power levels.

Page 46

PERFORMANCE CLASS

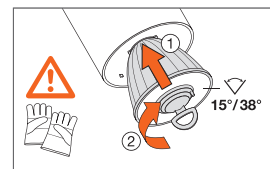


THREE REFLECTORS FOR FLEXIBLE ACCENT LIGHTING

The reflectors are quick and easy to replace thanks to the practical bayonet connection and the supplied rubber suction cup.

The following replaceable reflectors are available:

the supplied standard Medium 24° reflector, as well as 2 Spot 15° and Flood 38° reflectors (order separately as accessories).



Distance (m)	∅ Light beam (m)	lx
Beam angle 15° Spot		
1.0	0.3	11,000 lx
2.0	0.6	2,900 lx
3.0	0.9	1,300 lx

Distance (m)	∅ Light beam (m)	lx
Beam angle 24° Medium		
1.0	0.4	9,200 lx
2.0	0.8	2,300 lx
3.0	1.2	1,000 lx

Distance (m)	∅ Light beam (m)	lx
Beam angle 38° Flood		
1.0		4,200 lx
2.0	1.4	1,000 lx
3.0	2.1	470 lx

Choice of color for housing:



EAN: 4 058075113442, Tracklight Spot 25 W/3,000 K, rounded measured values

TRACKLIGHT SPOT COMPACT

Shaped 3-phase tracklight spot with in-track control gear



PRODUCT FEATURES

- Robust die-cast aluminum housing
- Available in matt white (like RAL9010), matt black (like RAL9005) and concrete grey (like RAL7042)
- Compact tracklight spot with in-track control gear
- Very good color rendering CRI>90
- Color consistency: ≤ 3 SDCM (threshold unit)

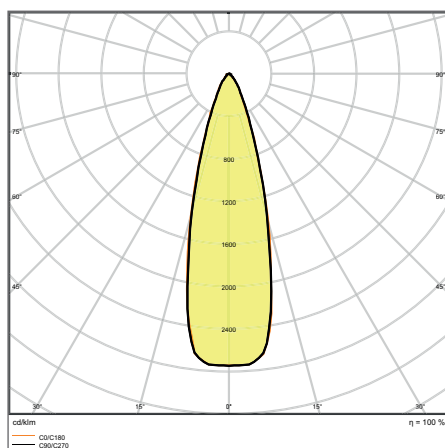
PRODUCT BENEFITS

- High-quality spotlight thanks to excellent color rendering
- Included 3-phase adapter compatible with common tracks (NORLUX, GLOBAL, NUCO, NORDIC, POWERGEAR, EUTRAC)
- Attractive color combinations of housing/decoration ring in white/titanium, black/gold, gray/chrome
- Made in Germany
- 5 years guarantee

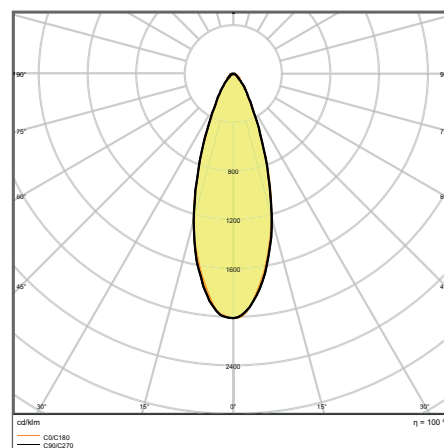
AREAS OF APPLICATION

- Direct replacement for luminaires using HID lamps
- Accent lighting
- Fashion shops, accessories shops
- Retail
- Hotels, restaurants, shops

FURTHER PRODUCT DETAILS



TR SP COM D100 28 W 4000 K NFL

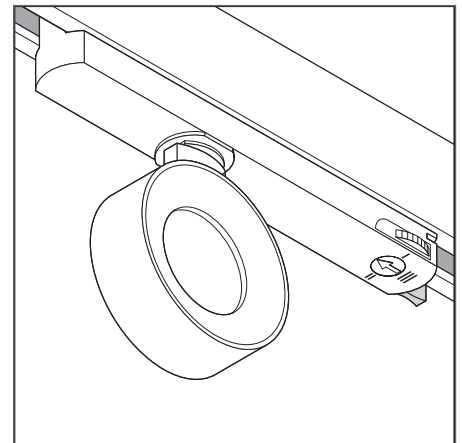
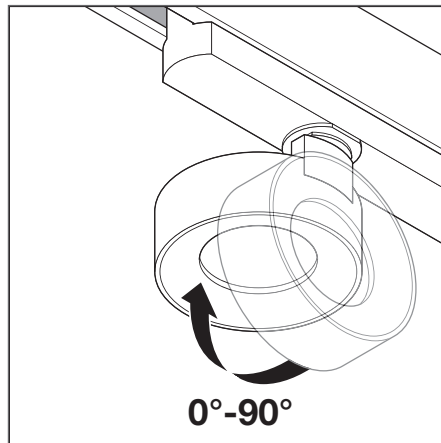
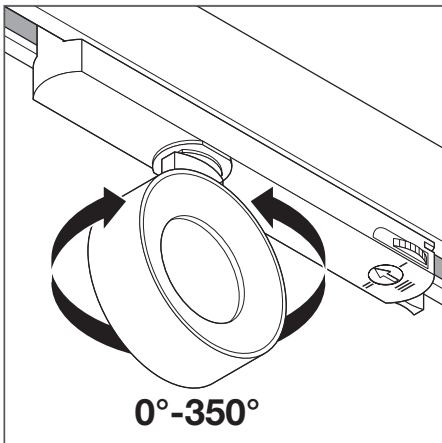


TR SP COM D100 28 W 4000 K FL

¹ Refer to www.ledvance.com/guarantee for precise conditions

The pictures shown in the catalog are for illustration purposes only. For information on size and color, please refer to the product table.

FURTHER PRODUCT DETAILS



Product name	Segmentation	GTIN (EAN)	RE-PLACEMENT FOR	W	lm	lm/W	K	L70 ¹	L80 ¹	ⓐ
NEW TR SP COMPACT D100 28 W 930 NFL WT	■	4058075335844	35W HCl	28	2280	80	3000	80000	50000	25
NEW TR SP COMPACT D100 28 W 930 FL WT	■	4058075335868	35W HCl	28	2200	80	3000	80000	50000	36
NEW TR SP COMPACT D100 28 W 940 NFL WT	■	4058075335882	35W HCl	28	2380	85	4000	80000	50000	25
NEW TR SP COMPACT D100 28 W 940 FL WT	■	4058075335905	35W HCl	28	2300	80	4000	80000	50000	36
NEW TR SP COMPACT D100 28 W 930 NFL BK	■	4058075335929	35W HCl	28	2280	80	3000	80000	50000	25
NEW TR SP COMPACT D100 28 W 930 FL BK	■	4058075335943	35W HCl	28	2200	80	3000	80000	50000	36
NEW TR SP COMPACT D100 28 W 940 NFL BK	■	4058075335967	35W HCl	28	2380	85	4000	80000	50000	25
NEW TR SP COMPACT D100 28 W 940 FL BK	■	4058075335981	35W HCl	28	2300	80	4000	80000	50000	36
NEW TR SP COMPACT D100 28 W 930 NFL GY	■	4058075336001	35W HCl	28	2280	80	3000	80000	50000	25
NEW TR SP COMPACT D100 28 W 930 FL GY	■	4058075336025	35W HCl	28	2200	80	3000	80000	50000	36
NEW TR SP COMPACT D100 28 W 940 NFL GY	■	4058075336049	35W HCl	28	2380	85	4000	80000	50000	25
NEW TR SP COMPACT D100 28 W 940 FL GY	■	4058075336063	35W HCl	28	2300	80	4000	80000	50000	36



Product name	CRI	FLICKER VALUE	ⓑ	L x W x H [mm]	ⓐ No.
NEW TR SP COMPACT D100 28 W 930 NFL WT	90	<5 %	400	260 x 33 x 160	1
NEW TR SP COMPACT D100 28 W 930 FL WT	90	<5 %	400	260 x 33 x 160	1
NEW TR SP COMPACT D100 28 W 940 NFL WT	90	<5 %	400	260 x 33 x 160	1
NEW TR SP COMPACT D100 28 W 940 FL WT	90	<5 %	400	260 x 33 x 160	1
NEW TR SP COMPACT D100 28 W 930 NFL BK	90	<5 %	400	260 x 33 x 160	2
NEW TR SP COMPACT D100 28 W 930 FL BK	90	<5 %	400	260 x 33 x 160	2
NEW TR SP COMPACT D100 28 W 940 NFL BK	90	<5 %	400	260 x 33 x 160	2
NEW TR SP COMPACT D100 28 W 940 FL BK	90	<5 %	400	260 x 33 x 160	2
NEW TR SP COMPACT D100 28 W 930 NFL GY	90	<5 %	400	260 x 33 x 160	3
NEW TR SP COMPACT D100 28 W 930 FL GY	90	<5 %	400	260 x 33 x 160	3
NEW TR SP COMPACT D100 28 W 940 NFL GY	90	<5 %	400	260 x 33 x 160	3
NEW TR SP COMPACT D100 28 W 940 FL GY	90	<5 %	400	260 x 33 x 160	3

¹ t [h]: L70/B50 @ 25 °C (Ta) / t [h]: L80/B10 @ 25 °C (Ta)

TRACKLIGHT SPOT ZOOM DIM

Dimmable 3-phase tracklight spot with mechanical zoom lens



PRODUCT FEATURES

- Robust die-cast aluminum housing
- Available in matt white (like RAL9016), matt black (like RAL9004)
- Very good color rendering index CRI97 and CRI>90
- Dimmable (7% - 100%) via slider potentiometer directly on each luminaire
- Mechanical zoom lens with a beam angle of 15 ° to 55 °

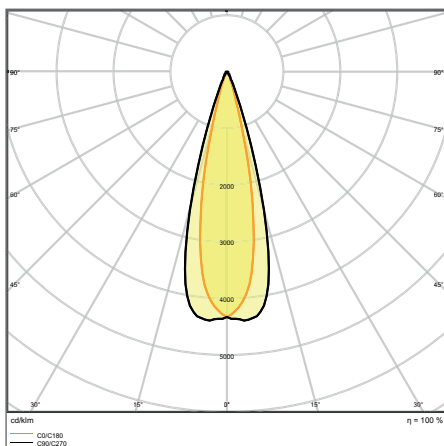
PRODUCT BENEFITS

- Dimmable 3-phase track-mounted spotlight with mechanical zoom optics integrated in the housing
- Included 3-phase adapter compatible with common tracks (GLOBAL, POWERGEAR, EUTRAC, STAFF, NORLUX, NUCO, NORDIC)
- High-quality spotlight thanks to excellent color rendering
- Low-flicker light
- 5 years guarantee

AREAS OF APPLICATION

- Direct replacement for luminaires using HID lamps
- Accent lighting
- Galleries, museums
- Fashion shops, accessories shops
- Shops, changing rooms, shop windows

FURTHER PRODUCT DETAILS



TR SP ZOOM D85 25 W 4000 K DIM 25DEG

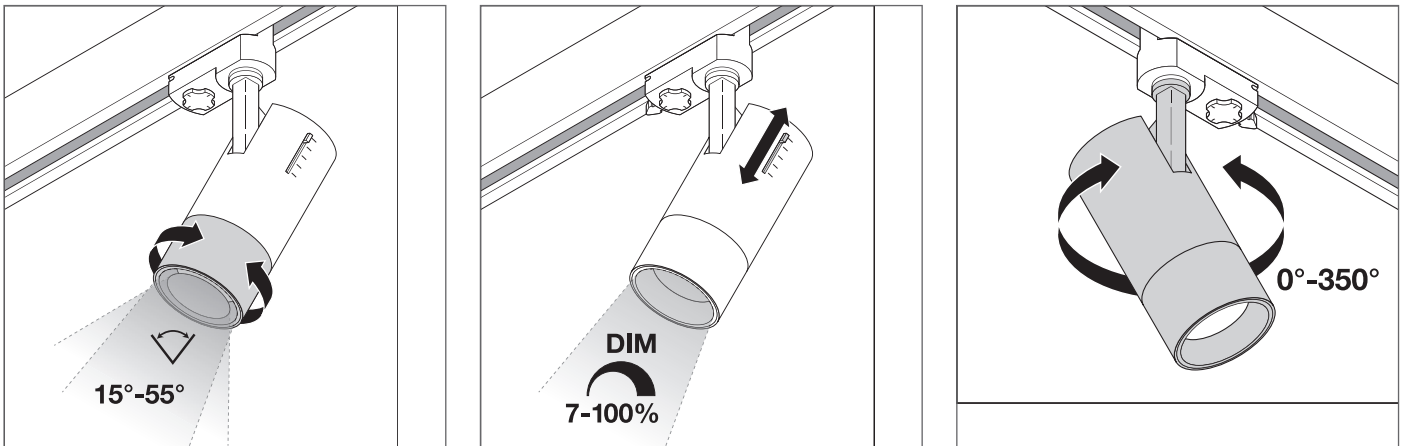
Distance [m]	Beam diameter [m]	Beam diameter [ft]	Beam diameter [in]	Illuminance [lx]
0.5	0.28 0.20	0.92 0.66	3.66 2.60	E(0°) E(C90) E(C0)
1.0	0.56 0.41	1.84 1.32	7.32 5.20	E(0°) E(C90) E(C0)
1.5	0.84 0.61	2.76 2.00	4.21 3.00	E(0°) E(C90) E(C0)
2.0	1.12 0.81	3.68 2.64	3.15 2.25	E(0°) E(C90) E(C0)
2.5	1.41 1.02	4.60 3.34	2.50 1.80	E(0°) E(C90) E(C0)
3.0	1.69 1.22	5.52 4.00	2.07 1.50	E(0°) E(C90) E(C0)

TR SP ZOOM D85 25 W 4000 K DIM 25DEG

¹ Refer to www.ledvance.com/guarantee for precise conditions

The pictures shown in the catalog are for illustration purposes only. For information on size and color, please refer to the product table.

FURTHER PRODUCT DETAILS



Product name	Segmentation	GTIN (EAN)	RE-PLACEMENT FOR	W	lm	lm/W	K	L70	L80	△
NEW TR SP ZOOM DIM D85 25 W 3000 K 97R WT	■	4058075335769	50W HCl	25	1500	60	3000	50000	35000	15.00 ... 55.00
NEW TR SP ZOOM DIM D85 25 W 4000 K 97R WT	■	4058075335783	50W HCl	25	1500	60	4000	50000	35000	15.00 ... 55.00
NEW TR SP ZOOM DIM D85 25 W 3000 K 97R BK	■	4058075335806	50W HCl	25	1500	60	3000	50000	35000	15.00 ... 55.00
NEW TR SP ZOOM DIM D85 25 W 4000 K 97R BK	■	4058075335820	50W HCl	25	1500	60	4000	50000	35000	15.00 ... 55.00



Product name	CRI	g	L x W x H [mm]	∅ x H [mm]	No.
TR SP ZOOM DIM D85 25 W 3000 K 97R WT	97	1025	85 x 265		2
TR SP ZOOM DIM D85 25 W 4000 K 97R WT	97	1025	85 x 265		2
TR SP ZOOM DIM D85 25 W 3000 K 97R BK	97	1025	85 x 265		3
TR SP ZOOM DIM D85 25 W 4000 K 97R BK	97	1025	85 x 265		3

¹ t [h]: L70/B50 @ 25 °C (Ta) / t [h]: L80/B10 @ 25 °C (Ta)

TRACKLIGHT SPOT

3-phase tracklight spot with integrated control gear



PRODUCT FEATURES

- Robust die-cast aluminum housing
- Available in matt white (like RAL9016), matt black (like RAL9004) and concrete grey (like RAL7042)
- Very good color rendering index Ra: 90
- Rotation angle: 350°, tilt angle: 90°
- Equipped with reflectors with 24° beam angle

PRODUCT BENEFITS

- Deep reflector and black antiglare ring for minimized glare ($UGR \leq 16$)
- Accessory reflectors with 15° or 38° beam angle available
- Reflector easily replaceable thanks to bayonet catch and rubber suction pad
- Included 3-phase adapter compatible with common tracks (GLOBAL, POWERGEAR, EUTRAC, STAFF, NORLUX, NUCO, NORDIC)
- Low-flicker light

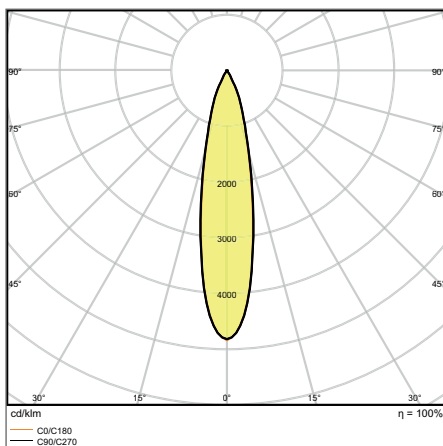
AREAS OF APPLICATION

- Direct replacement for luminaires using HID lamps
- Accent lighting
- Fashion shops, accessories shops
- Retail
- Hotels, restaurants, shops

EQUIPMENT / ACCESSORIES

- Accessory reflectors with 15° or 38° beam angle available*

FURTHER PRODUCT DETAILS



TRACK SP D95 55 W 4000 K NFL

Distance [m]	Cone diameter [m]	E(0°)	E(C90)	E(C0)	Illuminance [lx]
0.5	0.19 0.19	81247	11.0° 38656	10.9° 38871	
1.0	0.39 0.39	20312	11.0° 9664	10.9° 9718	
1.5	0.58 0.58	9027	11.0° 4295	10.9° 4319	
2.0	0.78 0.77	5078	11.0° 2416	10.9° 2429	
2.5	0.97 0.96	3250	11.0° 1546	10.9° 1555	
3.0	1.17 1.16	2257	11.0° 1074	10.9° 1080	

Distance [m] Cone diameter [m] Illuminance [lx]

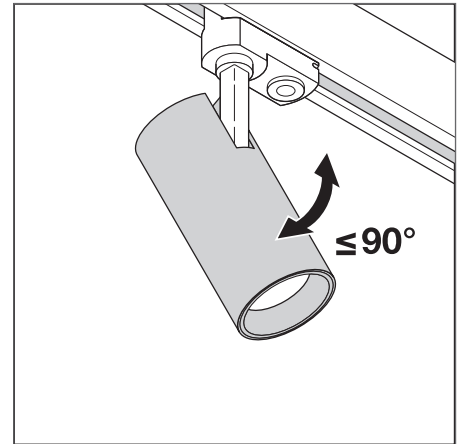
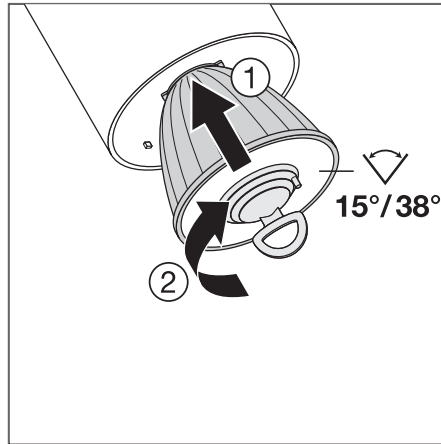
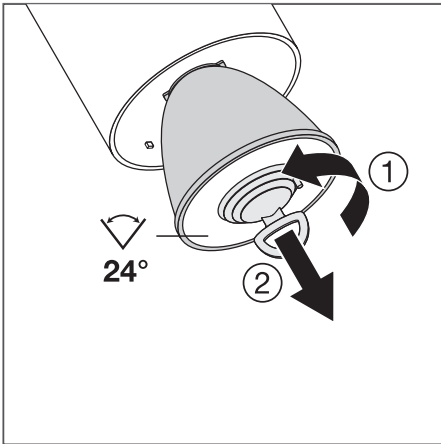
— C0/C180 (Half beam angle [°]: 21.8°)
— C90/C270 (Half beam angle [°]: 22.0°)

TRACK SP D95 55 W 4000 K NFL

* Please note: available = available as an optional accessory.
 † Refer to www.ledvance.com/guarantee for precise conditions

The pictures shown in the catalog are for illustration purposes only. For information on size and color, please refer to the product table.

FURTHER PRODUCT DETAILS



¹ t [h]: L70/B50 @ 25 °C (Ta) / t [h]: L80/B10 @ 25 °C (Ta)

Product name	Segmentation	GTIN (EAN)	REPLACEMENT FOR	W	lm	lm/W	K	L70 ¹	L80 ¹	°
TRACK SP D75 25 W 3000 K 90RA NFL WT	■	4058075113442	35W HID	25	1750	70	3000	50000	45000	24
TRACK SP D75 25 W 4000 K 90RA NFL WT	■	4058075113466	35W HID	25	1900	75	4000	50000	45000	24
TRACK SP D75 25 W 3000 K 90RA NFL BK	■	4058075113565	35W HID	25	1750	75	3000	50000	45000	24
TRACK SP D75 25 W 4000 K 90RA NFL BK	■	4058075113589	35W HID	25	1900	80	4000	50000	45000	24
TRACK SP D75 25 W 3000 K 90RA NFL GY	■	4058075113688	35W HID	25	1750	75	3000	50000	45000	24
TRACK SP D75 25 W 4000 K 90RA NFL GY	■	4058075113701	35W HID	25	1900	75	4000	50000	45000	24
TRACK SP D85 35 W 3000 K 90RA NFL WT	■	4058075113480	50WHID	35	2660	70	3000	50000	45000	24
TRACK SP D85 35 W 4000 K 90RA NFL WT	■	4058075113503	50WHID	35	2800	75	4000	50000	45000	24
TRACK SP D85 35 W 3000 K 90RA NFL BK	■	4058075113602	50WHID	35	2660	75	3000	50000	45000	24
TRACK SP D85 35 W 4000 K 90RA NFL BK	■	4058075113626	50WHID	35	2800	80	4000	50000	45000	24
TRACK SP D85 35 W 3000 K 90RA NFL GY	■	4058075113725	50W HID	35	2660	75	3000	50000	45000	24
TRACK SP D85 35 W 4000 K 90RA NFL GY	■	4058075113749	50W HID	35	2800	75	4000	50000	45000	24
TRACK SP D95 55 W 3000 K 90RA NFL WT	■	4058075113527	70W HID	55	4000	70	3000	50000	45000	24
TRACK SP D95 55 W 4000 K 90RA NFL WT	■	4058075113541	70W HID	55	4200	75	4000	50000	45000	24
TRACK SP D95 55 W 3000 K 90RA NFL BK	■	4058075113640	70W HID	55	4000	75	3000	50000	45000	24
TRACK SP D95 55 W 4000 K 90RA NFL BK	■	4058075113664	70W HID	55	4200	80	4000	50000	45000	24
TRACK SP D95 55 W 3000 K 90RA NFL GY	■	4058075113763	70W HID	55	4000	75	3000	50000	45000	24
TRACK SP D95 55 W 4000 K 90RA NFL GY	■	4058075113787	70W HID	55	4200	75	4000	50000	45000	24



Product name	CRI	FLICKER VALUE	9	L x W x H [mm]	Ø x H [mm]	No.
TRACK SP D75 25 W 3000 K 90RA NFL WT	90	<10 %	770	75 x 255		1
TRACK SP D75 25 W 4000 K 90RA NFL WT	90	<10 %	770	75 x 255		1
TRACK SP D75 25 W 3000 K 90RA NFL BK	90	<10 %	770	75 x 255		2
TRACK SP D75 25 W 4000 K 90RA NFL BK	90	<10 %	770	75 x 255		2
TRACK SP D75 25 W 3000 K 90RA NFL GY	90	<10 %	770	75 x 255		3
TRACK SP D75 25 W 4000 K 90RA NFL GY	90	<10 %	770	75 x 255		3
TRACK SP D85 35 W 3000 K 90RA NFL WT	90	<10 %	1020	85 x 267		1
TRACK SP D85 35 W 4000 K 90RA NFL WT	90	<10 %	1020	85 x 267		1
TRACK SP D85 35 W 3000 K 90RA NFL BK	90	<10 %	1020	85 x 267		2
TRACK SP D85 35 W 4000 K 90RA NFL BK	90	<10 %	1020	85 x 267		2
TRACK SP D85 35 W 3000 K 90RA NFL GY	90	<10 %	1020	85 x 267		3
TRACK SP D85 35 W 4000 K 90RA NFL GY	90	<10 %	1020	85 x 267		3
TRACK SP D95 55 W 3000 K 90RA NFL WT	90	<10 %	1520	95 x 297		1
TRACK SP D95 55 W 4000 K 90RA NFL WT	90	<10 %	1520	95 x 297		1
TRACK SP D95 55 W 3000 K 90RA NFL BK	90	<10 %	1520	95 x 297		2
TRACK SP D95 55 W 4000 K 90RA NFL BK	90	<10 %	1520	95 x 297		2
TRACK SP D95 55 W 3000 K 90RA NFL GY	90	<10 %	1520	95 x 297		3
TRACK SP D95 55 W 4000 K 90RA NFL GY	90	<10 %	1520	95 x 297		3

¹ t [h]: L70/B50 @ 25 °C (Ta) / t [h]: L80/B10 @ 25 °C (Ta)



TRACKLIGHT SPOT REFLECTOR



- Reflector easily replaceable thanks to bayonet catch and rubber suction pad
- Clear cover protects the reflector against dust and contact
- High optical efficacy
- Housing material: polycarbonate (PC)
- Accessory reflectors available in different beam angles

Product name	GTIN (EAN)	L x W x H [mm] Ø x H [mm]	MATERIAL	COLOR			
TRACK SP REFLECTOR D75 SP	4058075113800	63 x 53	Polycarbonate (PC)	Silver	15	1	1
TRACK SP REFLECTOR D75 FL	4058075113824	63 x 53	Polycarbonate (PC)	Silver	38	1	2
TRACK SP REFLECTOR D85 SP	4058075113848	75 x 63	Polycarbonate (PC)	Silver	15	1	1
TRACK SP REFLECTOR D85 FL	4058075113862	75 x 63	Polycarbonate (PC)	Silver	38	1	2
TRACK SP REFLECTOR D95 SP	4058075113886	82 x 69	Polycarbonate (PC)	Silver	15	1	1
TRACK SP REFLECTOR D95 FL	4058075113909	82 x 69	Polycarbonate (PC)	Silver	38	1	2

¹ Refer to www.ledvance.com/guarantee for precise conditions