

WALL AND CEILING LUMINAIRES

IDEAL FOR PUBLIC AREAS



SURFACE COMPACT IK10

Page 52

PERFOR-
MANCE
CLASS



ROBUST, POWERFUL SURFACE-MOUNTED LUMINAIRE

- Resistant to vandalism
- Transparent cover protects against dust and moisture
- High luminous efficacy

SURFACE BULKHEAD

Page 58

PERFOR-
MANCE
CLASS

- SURFACE BULKHEAD
- SURFACE BULKHEAD SENSOR
- SURFACE BULKHEAD EMERGENCY
- SURFACE BULKHEAD SENSOR EMERGENCY
- SURFACE BULKHEAD ACCESSORY RINGS



GREAT PERFORMANCE INDOORS AND OUTDOORS

- Extremely versatile through switchable, HF-sensor and 3h single-battery versions
- Suitable for use in public areas thanks to high IK rating
- Easy installation on wall and ceiling with through-wiring option

SURFACE CIRCULAR

Page 54

VALUE
CLASS

- SURFACE CIRCULAR
- SURFACE CIRCULAR SENSOR
- SURFACE CIRCULAR COVER



FOR STANDARD APPLICATIONS

- Versions with sensor: easy adjustment of the sensor range, daylight detection and illumination time
- Energy savings of up to 55% compared with luminaires that use compact fluorescent lamps
- Quick and easy installation

ROBUST VANDALISM PROTECTION AND INTELLIGENT SENSOR TECHNOLOGY



SURFACE
COMPACT IK10

SURFACE BULKHEAD

ROBUST, RUGGED AND VANDAL-PROOF

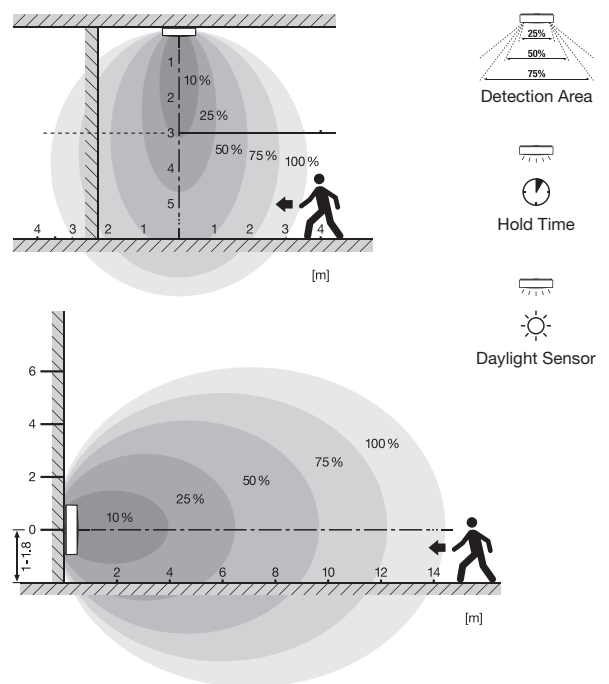
LEDVANCE SURFACE BULKHEAD and LEDVANCE SURFACE COMPACT IK10 are characterized by rugged design, an impact-resistant housing made of reinforced polycarbonate with IK10 rating, and high IP65 degree of protection. Torx screws make it harder for the luminaires to be removed with a conventional screwdriver, making them ideally protected against vandalism.



SENSORS FOR SAFETY AND EFFICIENCY

LEDVANCE SURFACE BULKHEAD and CIRCULAR luminaires are available with state-of-the-art sensor technology. The flexible adjustment options allow illumination as required. This allows for light comfort and safety to be combined with maximum efficiency:

- HF sensor technology for motion detection
- Four-step twilight switching; activation adjustable between 2 and 50 lux
- Motion sensor with wide detection range (for wall and ceiling mounting); adjustable in five steps between 10 and 100 percent
- Hold time from 5 seconds to 30 minutes



Motion sensor with many adjustment options

SURFACE COMPACT IK10

Wall and ceiling luminaire with high impact resistance



PRODUCT FEATURES

- Housing and cover made from polycarbonate
- Impact resistance: IK10
- Glow Wire Test according to IEC 60695-2-12: 850 °C
- Through-wiring possible

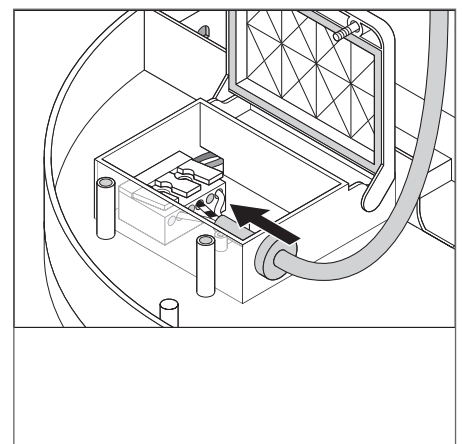
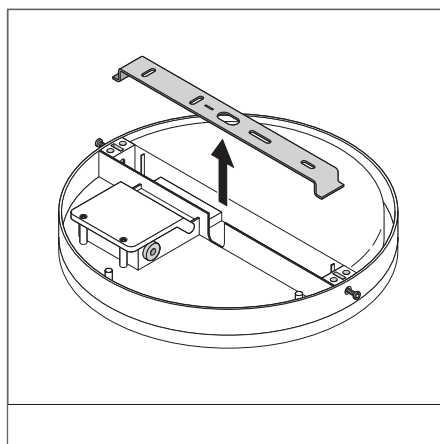
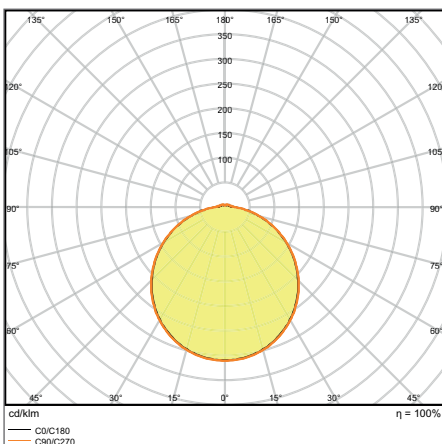
PRODUCT BENEFITS

- Resistance against vandalism
- Transparent cover protects against dust and moisture
- LED protected for safe installation
- High luminous efficacy
- 5 years guarantee

AREAS OF APPLICATION

- Corridors
- Stairways
- Bathrooms
- Foyers
- Public areas

FURTHER PRODUCT DETAILS



SF COMPACT IK10 300 24 W 4000 K
 IP65 WT

¹ Refer to www.ledvance.com/guarantee for precise conditions

The pictures shown in the catalog are for illustration purposes only. For information on size and color, please refer to the product table.

Product name	Segmentation	GTIN (EAN)	RE-PLACE-MENT-FOR	W	lm	lm/W	K	L70 ¹	L80 ¹	°
SF COMPACT IK10 300 24 W 3000 K IP65 WT	■	4058075062207	2x18W CFLP	24	1800	75	3000	50000	30000	120
SF COMPACT IK10 300 24 W 4000 K IP65 WT	■	4058075062221	2x18W CFLP	24	1920	80	4000	50000	30000	120



Product name	CRI	FLICKER VALUE	IK	L x W x H [mm] Ø x H [mm]
SF COMPACT IK10 300 24 W 3000 K IP65 WT	>80	<5 %	IK10	300 x 61
SF COMPACT IK10 300 24 W 4000 K IP65 WT	>80	<5 %	IK10	300 x 61

¹ t [h]: L70/B50 @ 25 °C (Ta) / t [h]: L80/B10 @ 25 °C (Ta)

SURFACE CIRCULAR

Wall and ceiling luminaires



PRODUCT FEATURES

- Metal housing, PMMA cover
- Versions with sensor: high-frequency sensor for daylight and motion detection
- Versions with sensor: 110° and 8 m detection range, threshold: 25 lx, 5 s/1 min/3 min/10 min
- Ambient temperature in operation: -20...+40 °C

PRODUCT BENEFITS

- Versions with sensor: easy adjustment of the sensor range, daylight detection and illumination time
- Energy savings of up to 55 % compared to luminaires that use CFL
- Easy and quick installation

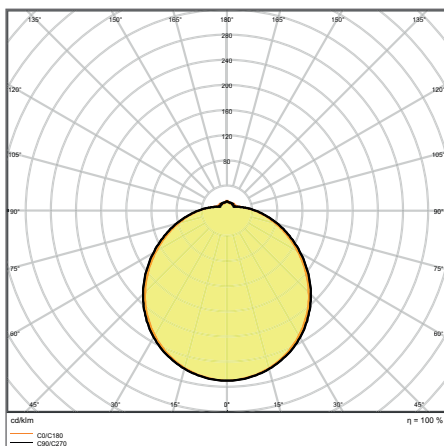
AREAS OF APPLICATION

- Corridors
- Stairways
- Bathrooms
- Foyers

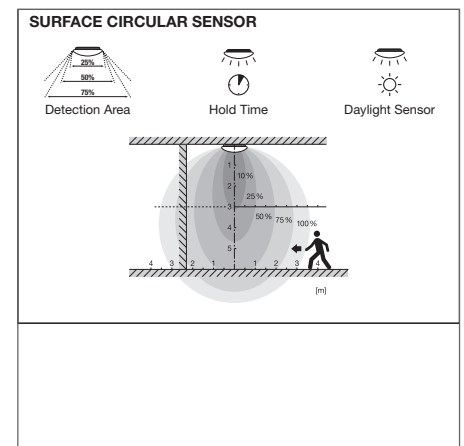
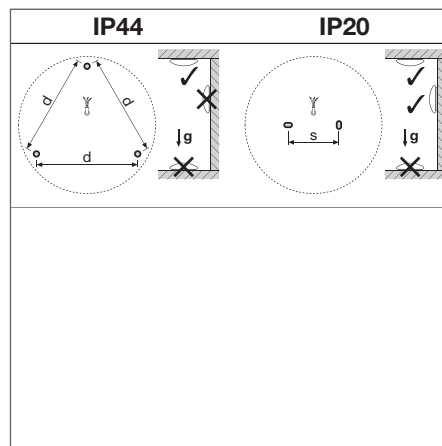
EQUIPMENT / ACCESSORIES

- Replacement cover optional available*

FURTHER PRODUCT DETAILS



SF CIRCULAR 400 S 24 W 3000 K IP44 WT



* Please note: available = available as an optional accessory.

¹ Refer to www.ledvance.com/guarantee for precise conditions | ² Versions with integrated sensor available

The pictures shown in the catalog are for illustration purposes only. For information on size and color, please refer to the product table.

SURFACE CIRCULAR

Wall and ceiling luminaires with IP44

Product name	Segmentation	GTIN (EAN)	RE-PLACEMENT FOR	W	lm	lm/W	K	L70 ¹	L80 ¹	°
SF CIRCULAR 250 13 W 3000 K IP44 WT	■	4058075110120	18W CFLP	13	920	70	3000	30000	22000	120
SF CIRCULAR 250 13 W 4000 K IP44 WT	■	4058075110144	18W CFLP	13	960	75	4000	30000	22000	120
SF CIRCULAR 350 18 W 3000 K IP44 WT	■	4058075080010	24W CFLP	18	1440	80	3000	30000	22000	120
SF CIRCULAR 350 18 W 4000 K IP44 WT	■	4058075080034	24W CFLP	18	1440	80	4000	30000	22000	120
SF CIRCULAR 400 24 W 3000 K IP44 WT	■	4058075080058	2x18W CFLP	24	1920	80	3000	30000	22000	120
SF CIRCULAR 400 24 W 4000 K IP44 WT	■	4058075080072	2x18W CFLP	24	1920	80	4000	30000	22000	120



Product name	CRI	FLICKER VALUE	L x W x H [mm] Ø x H [mm]
SF CIRCULAR 250 13 W 3000 K IP44 WT	>80	<5 %	250 x 91
SF CIRCULAR 250 13 W 4000 K IP44 WT	>80	<5 %	250 x 91
SF CIRCULAR 350 18 W 3000 K IP44 WT	>80	<5 %	350 x 115
SF CIRCULAR 350 18 W 4000 K IP44 WT	>80	<5 %	350 x 115
SF CIRCULAR 400 24 W 3000 K IP44 WT	>80	<5 %	400 x 120
SF CIRCULAR 400 24 W 4000 K IP44 WT	>80	<5 %	400 x 120

SURFACE CIRCULAR SENSOR

Wall and ceiling luminaire with IP44 and high frequency sensor

Product name	Segmentation	GTIN (EAN)	RE-PLACEMENT FOR	W	lm	lm/W	K	L70 ¹	L80 ¹	°
SF CIRCULAR 250 S 13 W 3000 K IP44 WT	■	4058075314894	18W CFLP	13	920	70	3000	30000	22000	120
SF CIRCULAR 250 S 13 W 4000 K IP44 WT	■	4058075314917	18W CFLP	13	960	75	4000	30000	22000	120
SF CIRCULAR 350 S 18 W 3000 K IP44 WT	■	4058075314931	26W CFLP	18	1440	80	3000	30000	22000	120
SF CIRCULAR 350 S 18 W 4000 K IP44 WT	■	4058075314955	26W CFLP	18	1440	80	4000	30000	22000	120
SF CIRCULAR 400 S 24 W 3000 K IP44 WT	■	4058075314979	32W CFLP	24	1920	80	3000	30000	22000	120
SF CIRCULAR 400 S 24 W 4000 K IP44 WT	■	4058075314993	32W CFLP	24	1920	80	4000	30000	22000	120



Product name	CRI	FLICKER VALUE	L x W x H [mm] Ø x H [mm]
SF CIRCULAR 250 S 13 W 3000 K IP44 WT	>80	<5 %	250 x 91
SF CIRCULAR 250 S 13 W 4000 K IP44 WT	>80	<5 %	250 x 91
SF CIRCULAR 350 S 18 W 3000 K IP44 WT	>80	<5 %	350 x 115
SF CIRCULAR 350 S 18 W 4000 K IP44 WT	>80	<5 %	350 x 115
SF CIRCULAR 400 S 24 W 3000 K IP44 WT	>80	<5 %	400 x 120
SF CIRCULAR 400 S 24 W 4000 K IP44 WT	>80	<5 %	400 x 120

SENSOR PROPERTIES

Product name	Type of sensor	Sensor technology	Detection threshold of daylight sensor	Detection range of motion sensor	Sensor detection angle	Sensor controlled switching time
SURFACE CIRCULAR 250 SENSOR	Motion/Light	Microwave	25 lx	8 m	110 °	5 s/1 min/3 min/10 min
SURFACE CIRCULAR 350 SENSOR	Motion/Light	Microwave	25 lx	8 m	110 °	5 s/1 min/3 min/10 min
SURFACE CIRCULAR 400 SENSOR	Motion/Light	Microwave	25 lx	8 m	110 °	5 s/1 min/3 min/10 min

¹ t [h]: L70/B50 @ 25 °C (Ta) / t [h]: L80/B10 @ 25 °C (Ta)



SURFACE CIRCULAR COVER

Replacement cover for Surface Circular



- Easy replacement of the cover without changing the luminaire
- Opal cover made of PMMA
- Impact resistance: IK03

AREAS OF APPLICATION

- Replacement for Surface Circular covers

Product name	GTIN (EAN)	L x W x H [mm] ∅ x H [mm]	MATERIAL	COLOR	∠	Icon
SF CIRCULAR 250 Cover	4058075156722	250 x 80	Polymethylmethacrylate (PMMA) / Polymethyl methacrylate (PMMA)	White	120	1
SF CIRCULAR 350 Cover	4058075156807	350 x 104	Polymethylmethacrylate (PMMA) / Polymethyl methacrylate (PMMA)	White	120	1
SF CIRCULAR 400 Cover	4058075156821	400 x 112	Polymethylmethacrylate (PMMA) / Polymethyl methacrylate (PMMA)	White	120	1

¹ Refer to www.ledvance.com/guarantee for precise conditions



SURFACE BULKHEAD

Robust wall and ceiling luminaire for indoor or outdoor use



PRODUCT FEATURES

- Housing and cover made of UV-resistant PC.
- Available in 2 diameters, 2 housing colors and 2 light colors
- **Always order cover separately.**
Versions: ring or eyelid cover
- Impact resistance: IK10
- Type of protection: IP65

PRODUCT BENEFITS

- Extremely versatile through switchable, HF-sensor and 3h single-battery versions
- Suitable for use in public areas thanks to high IK rating
- Easy installation on wall and ceiling with through-wiring option
- High luminous efficacy in normal operation
- All versions with 5-year guarantee, except emergency version: 3 years (built-in 3h battery)

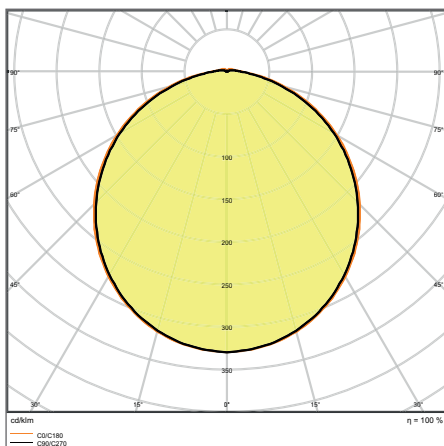
AREAS OF APPLICATION

- Direct replacement for luminaires with fluorescent lamps
- Corridors, stairways, entrance areas
- Passages, underpasses
- Public areas

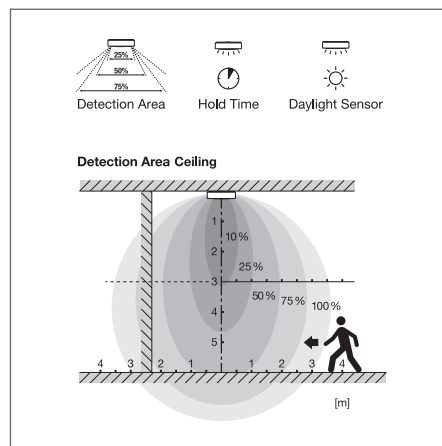
EQUIPMENT / ACCESSORIES

- Additional cover rings in different designs available**
- Mounting screws and dowels included

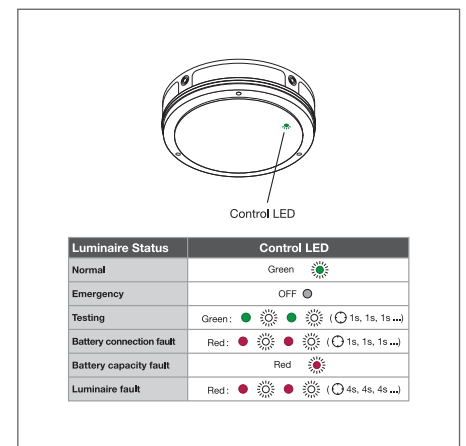
FURTHER PRODUCT DETAILS



SF BLKH 300 S EM 15W/3000K WT IP65



Surface Bulkhead Sensor



Surface Bulkhead Emergency

* The cover must be ordered separately.
** Please note: available = available as an optional accessory.
1 Versions with integrated sensor available

BASIC HOUSING SURFACE BULKHEAD ON/OFF

Robust wall and ceiling luminaire with IP65 protection

Product name	Segmentation	GTIN (EAN)	RE-PLACEMENT FOR	W	lm	lm/W	K	L70 ¹	L80 ¹	°
NEW SF BLKH 250 10W/3000K WT IP65	■	4058075374843	1x16W CFL	8	800	80	3000	50000	35000	120
NEW SF BLKH 250 10W/4000K WT IP65	■	4058075374867	1x16W CFL	8	800	80	4000	50000	35000	120
NEW SF BLKH 250 10W/3000K BK IP65	■	4058075374881	1x16W CFL	10	800	80	3000	50000	35000	120
NEW SF BLKH 250 10W/4000K BK IP65	■	4058075374904	1x16W CFL	8	800	80	4000	50000	35000	120
NEW SF BLKH 300 15W/3000K WT IP65	■	4058075375161	1x28W CFL	12	1400	93	3000	50000	35000	120
NEW SF BLKH 300 15W/4000K WT IP65	■	4058075375185	1x28W CFL	12	1400	93	4000	50000	35000	120
NEW SF BLKH 300 15W/3000K BK IP65	■	4058075375208	1x28W CFL	12	1400	93	3000	50000	35000	120
NEW SF BLKH 300 15W/4000K BK IP65	■	4058075375222	1x28W CFL	12	1400	93	4000	50000	35000	120



Product name	CRI	FLICKER VALUE	IK	L x W x H [mm] Ø x H [mm]	No.
NEW SF BLKH 250 10W/3000K WT IP65	>80	<5 %	IK10	250 x 70	1
NEW SF BLKH 250 10W/4000K WT IP65	>80	<5 %	IK10	250 x 70	1
NEW SF BLKH 250 10W/3000K BK IP65	>80	<5 %	IK10	250 x 70	3
NEW SF BLKH 250 10W/4000K BK IP65	>80	<5 %	IK10	250 x 70	3
NEW SF BLKH 300 15W/3000K WT IP65	>80	<5 %	IK10	300 x 70	1
NEW SF BLKH 300 15W/4000K WT IP65	>80	<5 %	IK10	300 x 70	1
NEW SF BLKH 300 15W/3000K BK IP65	>80	<5 %	IK10	300 x 70	3
NEW SF BLKH 300 15W/4000K BK IP65	>80	<5 %	IK10	300 x 70	3

BASIC HOUSING SURFACE BULKHEAD SENSOR

Robust wall and ceiling luminaire with IP65 protection and high-frequency sensor

Product name	Segmentation	GTIN (EAN)	RE-PLACEMENT FOR	W	lm	lm/W	K	L70 ¹	L80 ¹	°
NEW SF BLKH 250 S 10W/3000K WT IP65	■	4058075374928	1x16W CFL	9	800	80	3000	50000	35000	120
NEW SF BLKH 250 S 10W/4000K WT IP65	■	4058075374942	1x16W CFL	9	800	80	4000	50000	35000	120
NEW SF BLKH 250 S 10W/3000K BK IP65	■	4058075374966	1x16W CFL	9	800	80	3000	50000	35000	120
NEW SF BLKH 250 S 10W/4000K BK IP65	■	4058075374980	1x16W CFL	9	800	80	4000	50000	35000	120
NEW SF BLKH 300 S 15W/3000K WT IP65	■	4058075375246	1x28W CFL	14	1400	93	3000	50000	35000	120
NEW SF BLKH 300 S 15W/4000K WT IP65	■	4058075375260	1x28W CFL	14	1400	93	4000	50000	35000	120
NEW SF BLKH 300 S 15W/3000K BK IP65	■	4058075375284	1x28W CFL	14	1400	93	3000	50000	35000	120
NEW SF BLKH 300 S 15W/4000K BK IP65	■	4058075375307	1x28W CFL	14	1400	93	4000	50000	35000	120



Product name	CRI	FLICKER VALUE	IK	L x W x H [mm] Ø x H [mm]	No.
NEW SF BLKH 250 S 10W/3000K WT IP65	>80	<5 %	IK10	250 x 70	1
NEW SF BLKH 250 S 10W/4000K WT IP65	>80	<5 %	IK10	250 x 70	1
NEW SF BLKH 250 S 10W/3000K BK IP65	>80	<5 %	IK10	250 x 70	3
NEW SF BLKH 250 S 10W/4000K BK IP65	>80	<5 %	IK10	250 x 70	3
NEW SF BLKH 300 S 15W/3000K WT IP65	>80	<5 %	IK10	300 x 70	1
NEW SF BLKH 300 S 15W/4000K WT IP65	>80	<5 %	IK10	300 x 70	1
NEW SF BLKH 300 S 15W/3000K BK IP65	>80	<5 %	IK10	300 x 70	3
NEW SF BLKH 300 S 15W/4000K BK IP65	>80	<5 %	IK10	300 x 70	3

¹ t [h]: L70/B50 @ 25 °C (Ta) / t [h]: L80/B10 @ 25 °C (Ta)

SURFACE BULKHEAD EMERGENCY

Robust wall and ceiling luminaire with IP65 protection and integrated emergency lighting function

Product name	Segmentation	GTIN (EAN)	RE-PLACEMENT FOR	W	lm	lm/W	K	L70 ¹	L80 ¹	Ⓛ
NEW SF BLKH 250 EM 10 W 3000 K WT IP65	■	4058075375000	1x16W CFL	10	800	80	3000	50000	35000	120
NEW SF BLKH 250 EM 10 W 4000 K WT IP65	■	4058075375024	1x16W CFL	10	800	80	4000	50000	35000	120
NEW SF BLKH 250 EM 10 W 3000 K BK IP65	■	4058075375048	1x16W CFL	10	800	80	3000	50000	35000	120
NEW SF BLKH 250 EM 10 W 4000 K BK IP65	■	4058075375062	1x16W CFL	10	800	80	4000	50000	35000	120
NEW SF BLKH 300 EM 15 W 3000 K WT IP65	■	4058075375321	1x28W CFL	15	1400	93	3000	50000	35000	120
NEW SF BLKH 300 EM 15 W 4000 K WT IP65	■	4058075375345	1x28W CFL	15	1400	93	4000	50000	35000	120
NEW SF BLKH 300 EM 15 W 3000 K BK IP65	■	4058075375369	1x28W CFL	15	1400	93	3000	50000	35000	120
NEW SF BLKH 300 EM 15 W 4000 K BK IP65	■	4058075375383	1x28W CFL	15	1400	93	4000	50000	35000	120



Product name	CRI	FLICKER VALUE	IK	L x W x H [mm] Ø x H [mm]	Ⓛ No.
NEW SF BLKH 250 EM 10 W 3000 K WT IP65	>80	<5 %	IK10	258x70	1
NEW SF BLKH 250 EM 10 W 4000 K WT IP65	>80	<5 %	IK10	258x70	1
NEW SF BLKH 250 EM 10 W 3000 K BK IP65	>80	<5 %	IK10	258x70	3
NEW SF BLKH 250 EM 10 W 4000 K BK IP65	>80	<5 %	IK10	258x70	3
NEW SF BLKH 300 EM 15 W 3000 K WT IP65	>80	<5 %	IK10	308x70	1
NEW SF BLKH 300 EM 15 W 4000 K WT IP65	>80	<5 %	IK10	308x70	1
NEW SF BLKH 300 EM 15 W 3000 K BK IP65	>80	<5 %	IK10	308x70	3
NEW SF BLKH 300 EM 15 W 4000 K BK IP65	>80	<5 %	IK10	308x70	3

SURFACE BULKHEAD SENSOR EMERGENCY

Robust wall and ceiling luminaire with IP65 protection, high-frequency sensor and integrated emergency lighting function

Product name	Segmentation	GTIN (EAN)	RE-PLACEMENT FOR	W	lm	lm/W	K	L70 ¹	L80 ¹	Ⓛ
NEW SF BLKH 250 S EM 10W/3000K WT IP65	■	4058075375086	1x16W CFL	12	800	80	3000	50000	35000	120
NEW SF BLKH 250 S EM 10W/4000K WT IP65	■	4058075375109	1x16W CFL	12	800	80	4000	50000	35000	120
NEW SF BLKH 250 S EM 10W/3000K BK IP65	■	4058075375123	1x16W CFL	12	800	80	3000	50000	35000	120
NEW SF BLKH 250 S EM 10W/4000K BK IP65	■	4058075375147	1x16W CFL	12	800	80	4000	50000	35000	120
NEW SF BLKH 300 S EM 15W/3000K WT IP65	■	4058075375406	1x28W CFL	17	1400	93	3000	50000	35000	120
NEW SF BLKH 300 S EM 15W/4000K WT IP65	■	4058075375420	1x28W CFL	17	1400	93	4000	50000	35000	120
NEW SF BLKH 300 S EM 15W/3000K BK IP65	■	4058075375444	1x28W CFL	17	1400	93	3000	50000	35000	120
NEW SF BLKH 300 S EM 15W/4000K BK IP65	■	4058075375468	1x28W CFL	17	1400	93	4000	50000	35000	120



Product name	CRI	FLICKER VALUE	IK	L x W x H [mm] Ø x H [mm]	Ⓛ No.
NEW SF BLKH 250 S EM 10W/3000K WT IP65	>80	<5 %	IK10	258x70	1
NEW SF BLKH 250 S EM 10W/4000K WT IP65	>80	<5 %	IK10	258x70	1
NEW SF BLKH 250 S EM 10W/3000K BK IP65	>80	<5 %	IK10	258x70	3
NEW SF BLKH 250 S EM 10W/4000K BK IP65	>80	<5 %	IK10	258x70	3
NEW SF BLKH 300 S EM 15W/3000K WT IP65	>80	<5 %	IK10	308x70	1
NEW SF BLKH 300 S EM 15W/4000K WT IP65	>80	<5 %	IK10	308x70	1
NEW SF BLKH 300 S EM 15W/3000K BK IP65	>80	<5 %	IK10	308x70	3
NEW SF BLKH 300 S EM 15W/4000K BK IP65	>80	<5 %	IK10	308x70	3

¹ t [h]: L70/B50 @ 25 °C (Ta) / t [h]: L80/B10 @ 25 °C (Ta)

SENSOR PROPERTIES

Product name	Type of sensor	Sensor technology	Detection threshold of daylight sensor	Detection range of motion sensor	Sensor detection angle	Sensor controlled switching time
SURFACE BULKHEAD 250 SENSOR	Motion/Light	Microwave	25 lx	8 m	110 °	5 s/30 s/90 s/3 min/20 min/30 min
SURFACE BULKHEAD 300 SENSOR	Motion/Light	Microwave	25 lx	8 m	110 °	5 s/30 s/90 s/3 min/20 min/30 min
SURFACE BULKHEAD 250 SENSOR EMERGENCY	Motion/Light	Microwave	25 lx	8 m	110 °	5 s/30 s/90 s/3 min/20 min/30 min
SURFACE BULKHEAD 300 SENSOR EMERGENCY	Motion/Light	Microwave	25 lx	8 m	110 °	5 s/30 s/90 s/3 min/20 min/30 min

EMERGENCY LIGHTING PROPERTIES

Product name	Battery life in emergency operation mode	Type of emergency operation test	Type of emergency light operation	Luminous flux in emergency operation mode	Type of Battery
SF BLKH 250 EM 10 W 3000 K WT IP65	3 h	Automatic	Maintained/Non-maintained	300 lm	LiFeP04
SF BLKH 250 EM 10 W 4000 K WT IP65	3 h	Automatic	Maintained/Non-maintained	300 lm	LiFeP04
SF BLKH 250 EM 10 W 3000 K BK IP65	3 h	Automatic	Maintained/Non-maintained	300 lm	LiFeP04
SF BLKH 250 EM 10 W 4000 K BK IP65	3 h	Automatic	Maintained/Non-maintained	300 lm	LiFeP04
SF BLKH 300 EM 15 W 3000 K WT IP65	3 h	Automatic	Maintained/Non-maintained	300 lm	LiFeP04
SF BLKH 300 EM 15 W 4000 K WT IP65	3 h	Automatic	Maintained/Non-maintained	300 lm	LiFeP04
SF BLKH 300 EM 15 W 3000 K BK IP65	3 h	Automatic	Maintained/Non-maintained	300 lm	LiFeP04
SF BLKH 300 EM 15 W 4000 K BK IP65	3 h	Automatic	Maintained/Non-maintained	300 lm	LiFeP04
SF BLKH 250 S EM 10W/3000K WT IP65	3 h	Automatic	Maintained/Non-maintained	300 lm	LiFeP04
SF BLKH 250 S EM 10W/4000K WT IP65	3 h	Automatic	Maintained/Non-maintained	300 lm	LiFeP04
SF BLKH 250 S EM 10W/3000K BK IP65	3 h	Automatic	Maintained/Non-maintained	300 lm	LiFeP04
SF BLKH 250 S EM 10W/4000K BK IP65	3 h	Automatic	Maintained/Non-maintained	300 lm	LiFeP04
SF BLKH 300 S EM 15W/3000K WT IP65	3 h	Automatic	Maintained/Non-maintained	300 lm	LiFeP04
SF BLKH 300 S EM 15W/4000K WT IP65	3 h	Automatic	Maintained/Non-maintained	300 lm	LiFeP04
SF BLKH 300 S EM 15W/3000K BK IP65	3 h	Automatic	Maintained/Non-maintained	300 lm	LiFeP04
SF BLKH 300 S EM 15W/4000K BK IP65	3 h	Automatic	Maintained/Non-maintained	300 lm	LiFeP04

SURFACE BULKHEAD ACCESSORIES

Necessary equipment for Surface Bulkhead



- Wide range of applications thanks to a large variety of versions
- PC cover in white or black
- As a ring or with eyelid cover
- Anti-theft screw (Torx) included

EQUIPMENT / ACCESSORIES

- Anti-theft screw included

SURFACE BULKHEAD RING

Attachable cover ring (IK10)

Product name		GTIN (EAN)	L x W x H [mm] Ø x H [mm]	MATERIAL	COLOR		 No.
NEW	SF BLKH RING 250 WT	4058075399334	258	Polycarbonate (PC)	White	1	1
NEW	SF BLKH RING 250 BK	4058075399358	258	Polycarbonate (PC)	Black	1	2
NEW	SF BLKH RING 300 WT	4058075399372	308	Polycarbonate (PC)	White	1	1
NEW	SF BLKH RING 300 BK	4058075399396	308	Polycarbonate (PC)	Black	1	2

SURFACE BULKHEAD EYELID

Attachable half-visor ring (IK10)

Product name		GTIN (EAN)	L x W x H [mm] Ø x H [mm]	MATERIAL	COLOR		 No.
NEW	SF BLKH EYELID 250 WT	4058075375482	258 x 64	Polycarbonate (PC) / Polycarbonate (PC)	White	1	3
NEW	SF BLKH EYELID 250 BK	4058075375505	258 x 64	Polycarbonate (PC) / Polycarbonate (PC)	Black	1	4
NEW	SF BLKH EYELID 300 WT	4058075375529	308 x 65	Polycarbonate (PC) / Polycarbonate (PC)	White	1	3
NEW	SF BLKH EYELID 300 BK	4058075375543	308 x 65	Polycarbonate (PC) / Polycarbonate (PC)	Black	1	4

¹ Refer to www.ledvance.com/guarantee for precise conditions

