

# LED Wall Lights



DuLight LED Wall Lights powered with EPISTAR SMDs outdoor applications. Housing is made of die-cast aluminum with powder coating. Luminaire uses high quality PC diffuser.

## Product Features:

- EPISTAR SMD LEDs
- Built-in DuLight LED Driver
- Available in different shapes and color
- Installation: Wall / Surface mounted
- Working temperature: -20°C to 50°C
- IP rating: IP65
- Life span: 30,000 hours

## Applications:



Landscape Lighting

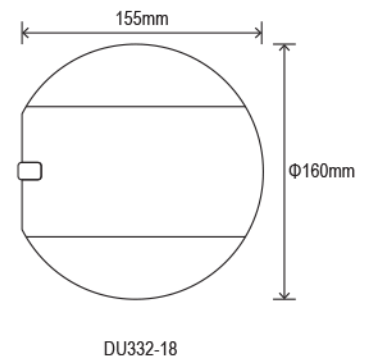
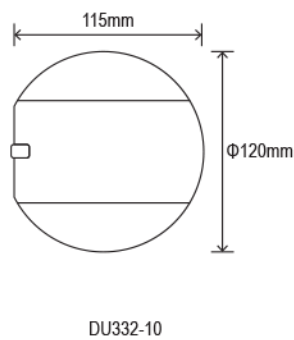
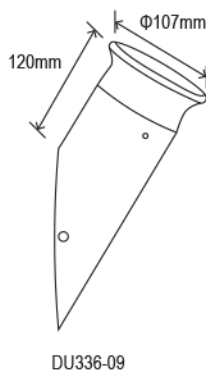
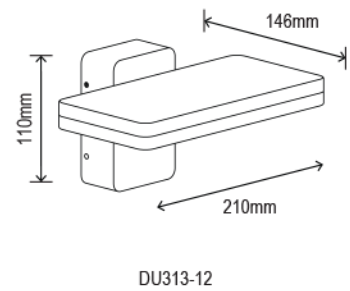
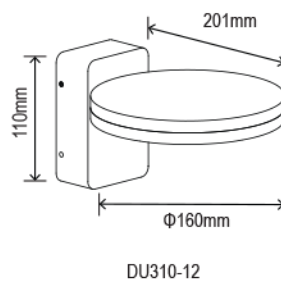
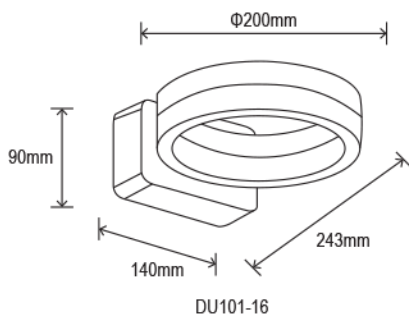


Gardens



# EPISTAR

## Dimensions



## Technical Specifications

| Model    | Power [ W ] | LED type | Luminous flux [ lm ] | Luminous efficacy [ lm/W ] | CCT [ k ] | Beam angle | CRI [ Ra ] | EAN           |
|----------|-------------|----------|----------------------|----------------------------|-----------|------------|------------|---------------|
| DU101-16 | 16          | SMD      | 1280                 | 80                         | 3000      | 120°       | > 80       | 6291212001686 |
| DU310-12 | 12          |          | 960                  | 80                         |           |            |            | 6291212000078 |
| DU313-12 | 12          |          | 960                  | 80                         |           |            |            | 6291212000085 |
| DU336-09 | 9           |          | 720                  | 80                         |           |            |            | 6291212001679 |
| DU332-10 | 10          | COB      | 600                  | 60                         | 6000      | 45° / 120° | > 80       | 6291212001693 |
| DU333-18 | 18          |          | 1080                 | 60                         |           |            |            | 6291212001600 |

## Electrical Specifications

|                      |                        |
|----------------------|------------------------|
| Rated Supply Voltage | 220-230V               |
| Input Voltage        | 140-265V <sub>AC</sub> |
| Frequency            | 50/60Hz                |