

LV-Emg-BS1



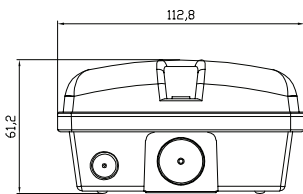
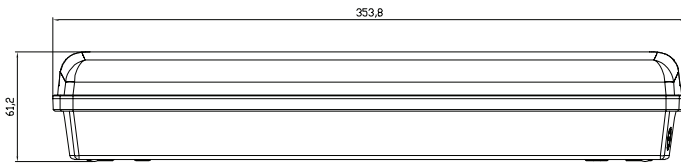
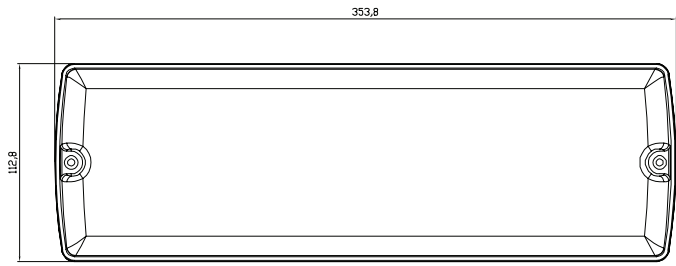
LED emergency module suitable for direct installation in ceilings
 Complete set with integrated electronics, LED module, housing, and battery
 Wall mounted/ Exit sign
 Normal Function
 Polycarbonate white RAL 9016
 IP65 protection class
 Very low stand-by power loss
 Maintained and non-maintained mode
 4 years guarantee electronic
 2 years guarantee battery

■ Technical Specification

Rated supply voltage	220-240VAC
Main frequency:	50/60 Hz
Mains input current , max:	50mA
Input power in mains operation ,max	4W
Battery charge time:	24
Ambient temperature ta:	0-45°C
IP Rating:	IP65
In rush current (between L-N):	1.5A
Mains surge capability:	500V
Mains voltage changeover threshold	140-180VAC
Battery	High-temperature grade battery cells 3.2V LifePO4 battery
Battery Voltage	3.2 per cell
Capacity	1500mAh
EAN	6925222049627

1. All specifications are typical on the 230VAC unless stated
2. The emergency function test must be performed when a battery is fully charged for 24 hours

■ Technical Drawing and Features

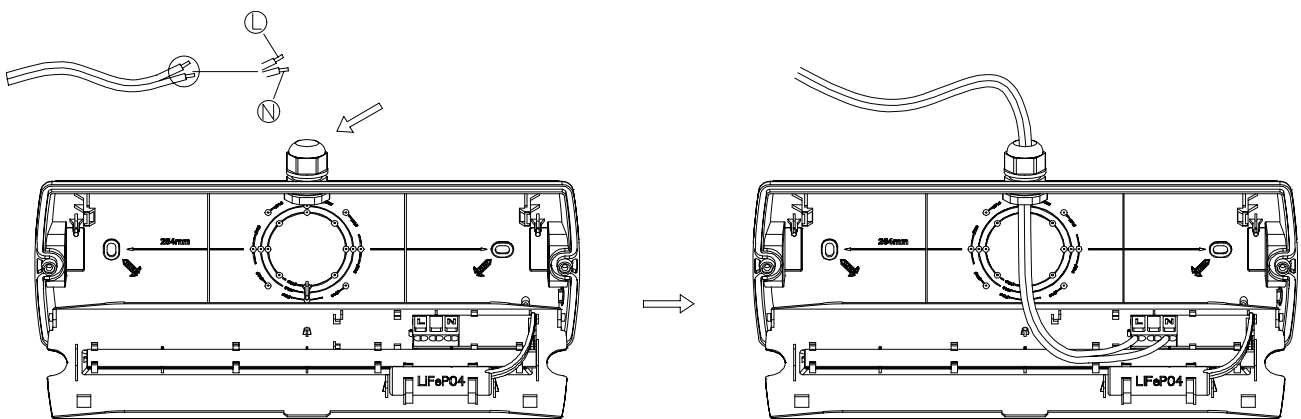


Batteries:	3.2 1500mAh life PO4
EM power:	1W
EM Duration:	3h
Lumens:	150 lm
Charge Current	150 mA
Charge Time:	24

■ Mounting Accessories



■ Installation Wiring Diagram



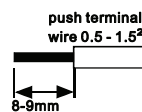
Note :

Step "1": Insert the AC wire from the waterproof connector.

Step "2": Connect the L and N lines of the AC wire to the terminal respectively to complete the wiring.

Requirements for wiring wires:

1. Wire diameter range : 0.5-1.5 square meters;



IP65



NO FLICKER

Body color



Life Span
50000h